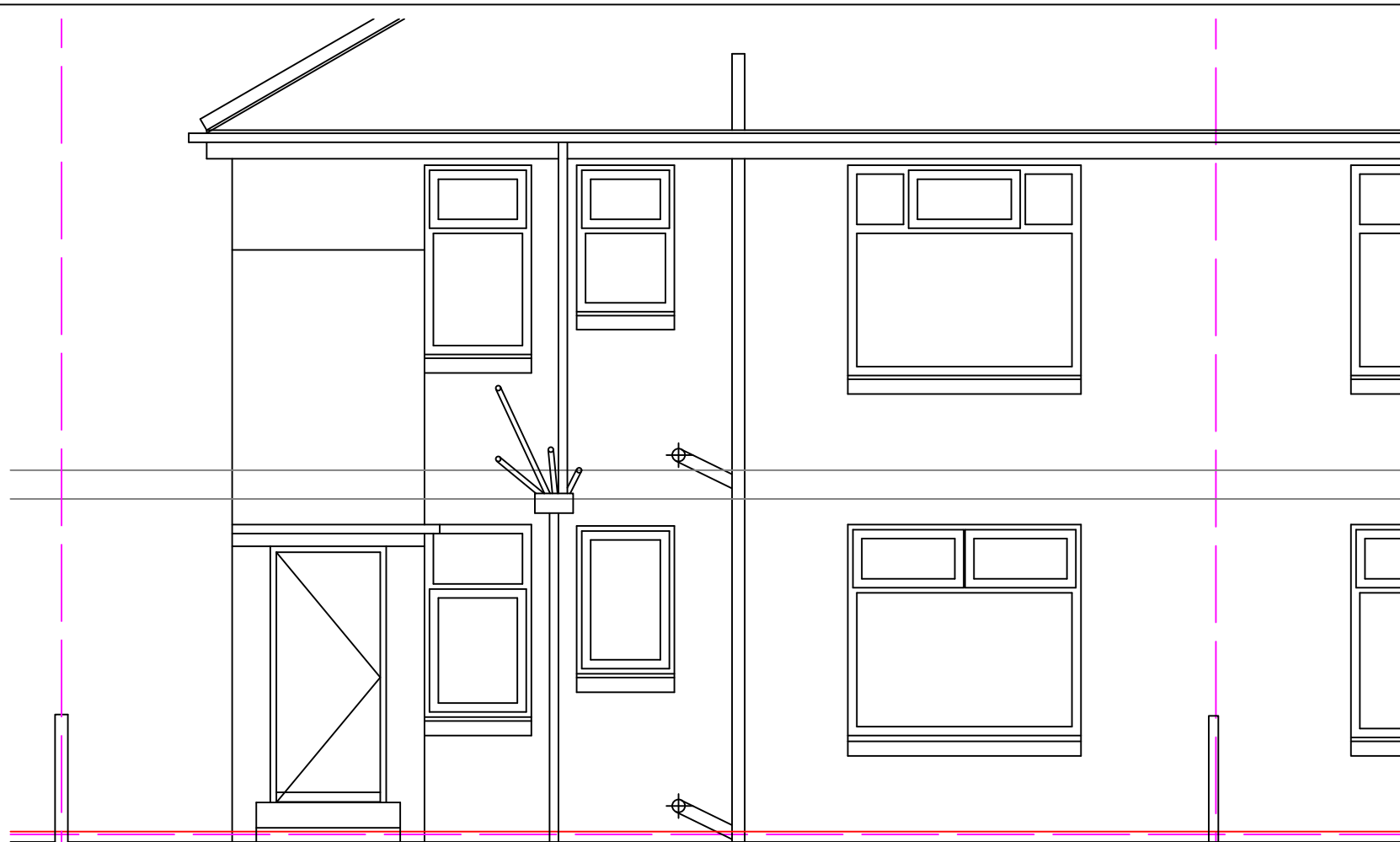
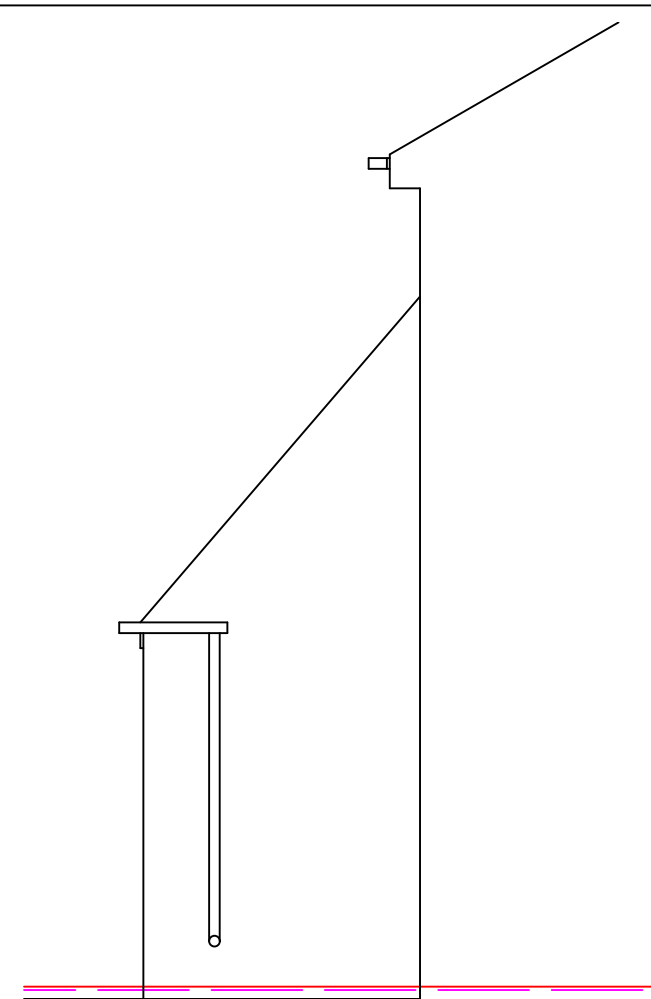


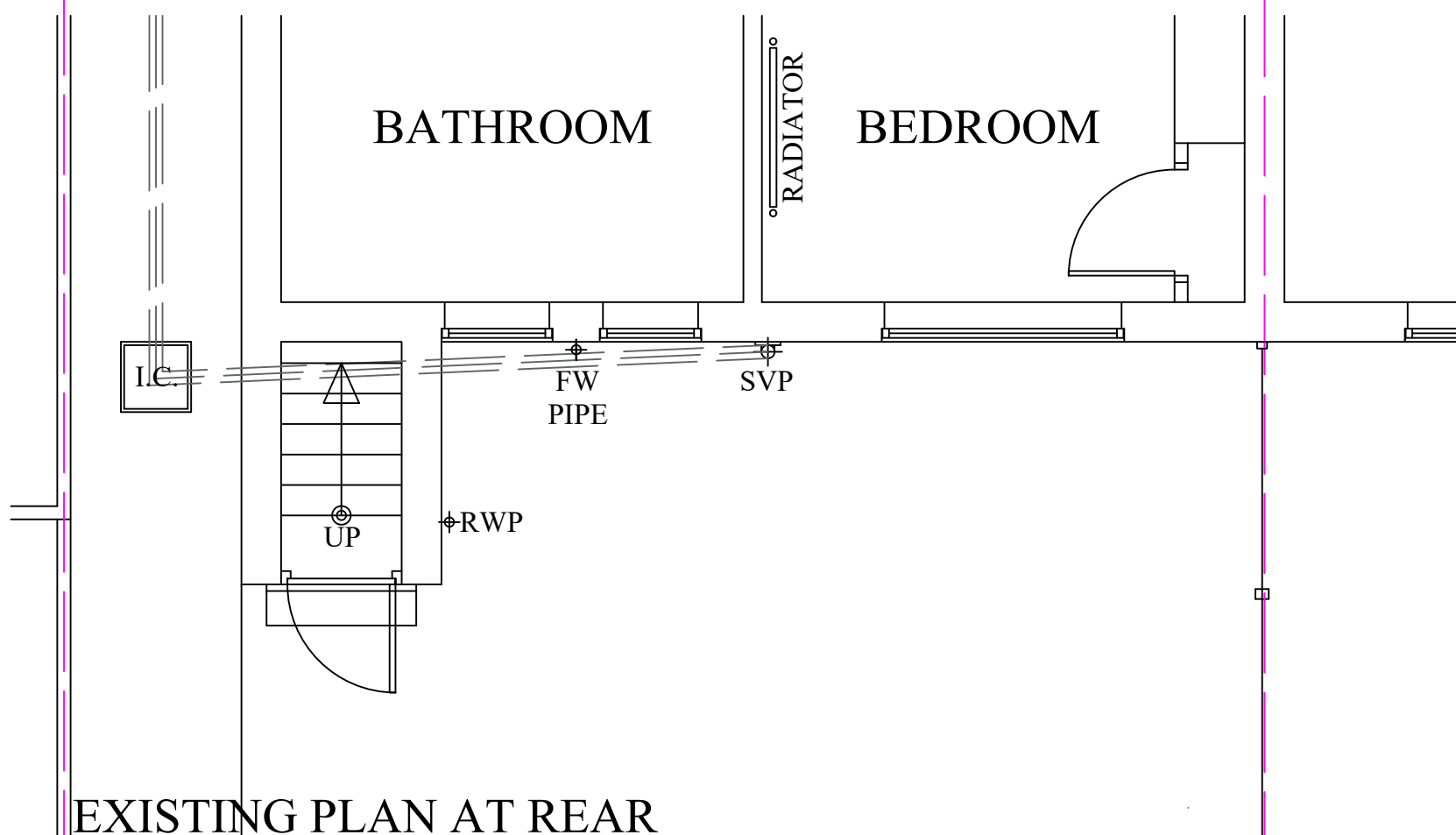
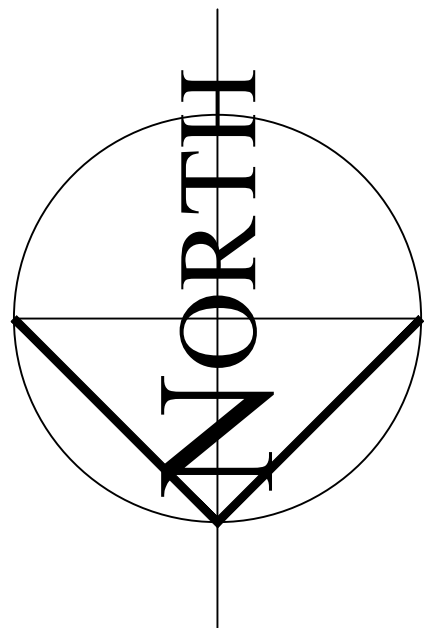
EXISTING  
EAST  
ELEVATION



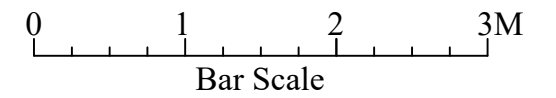
EXISTING NORTH REAR ELEVATION



EXISTING  
WEST  
ELEVATION



EXISTING PLAN AT REAR



Customer Name & Address:  
Mr Gallagher  
301 High Street East  
Wallsend  
NE28 7JY

Project: Conservatory To The Rear

Drawing: Existing Plan & Elevations

D/No: 01

Drawn by: S.Suddes

Date: 22 - 03 - 24

Scale: 1:50 @ A3 Paper Size: A3