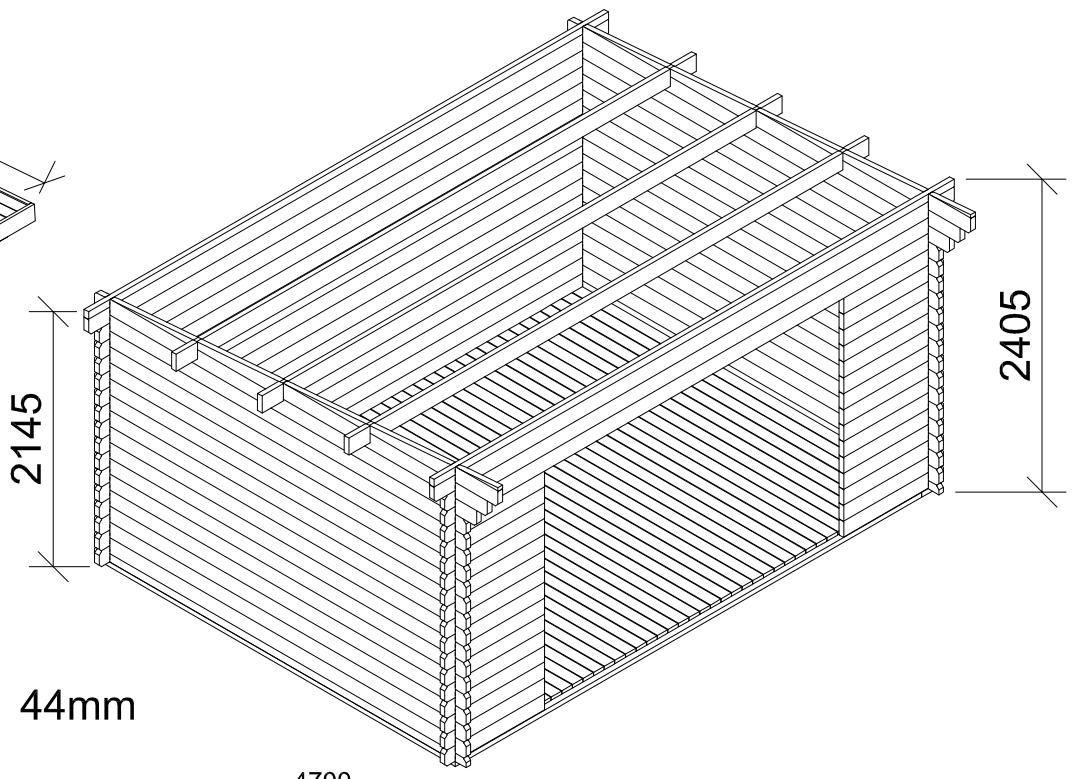
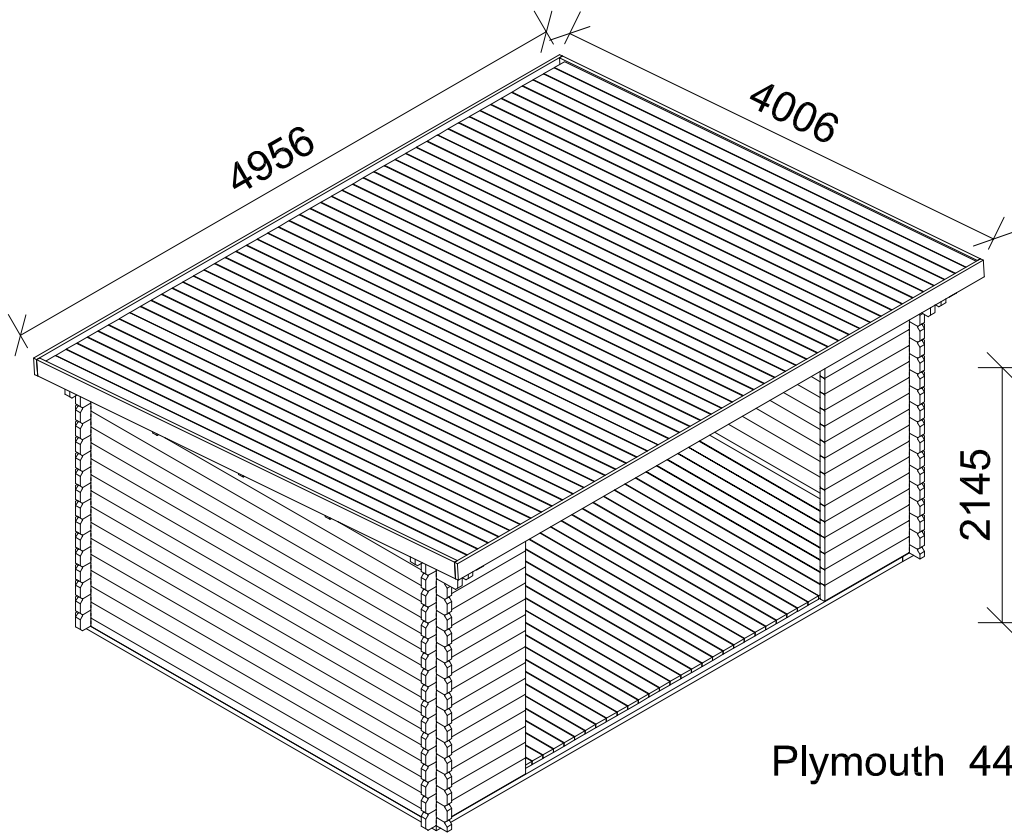
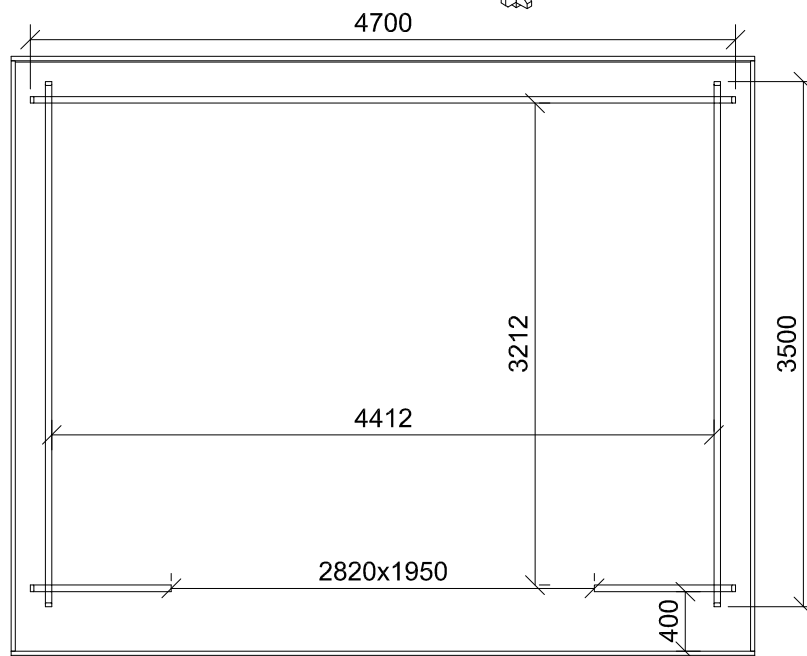
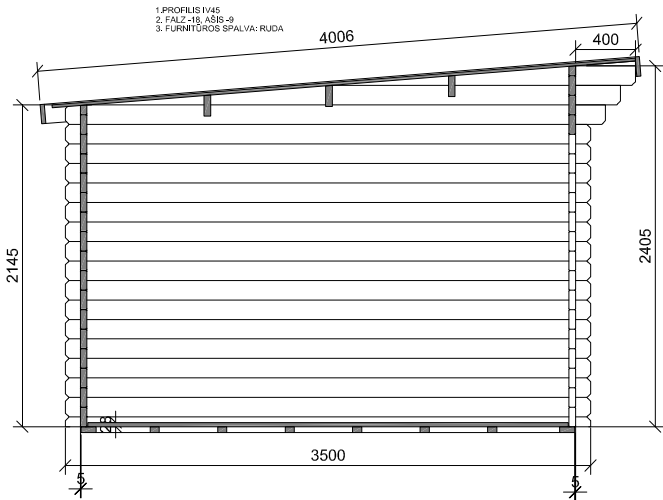
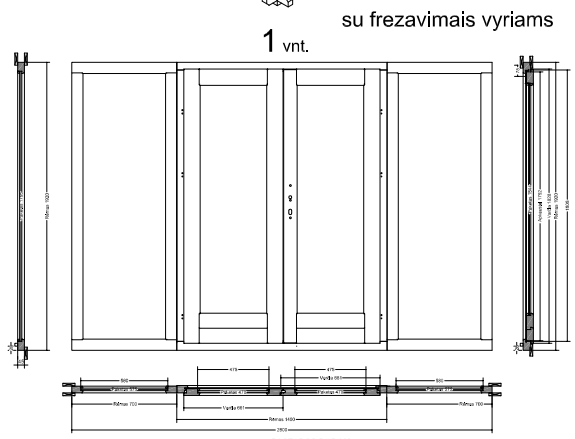


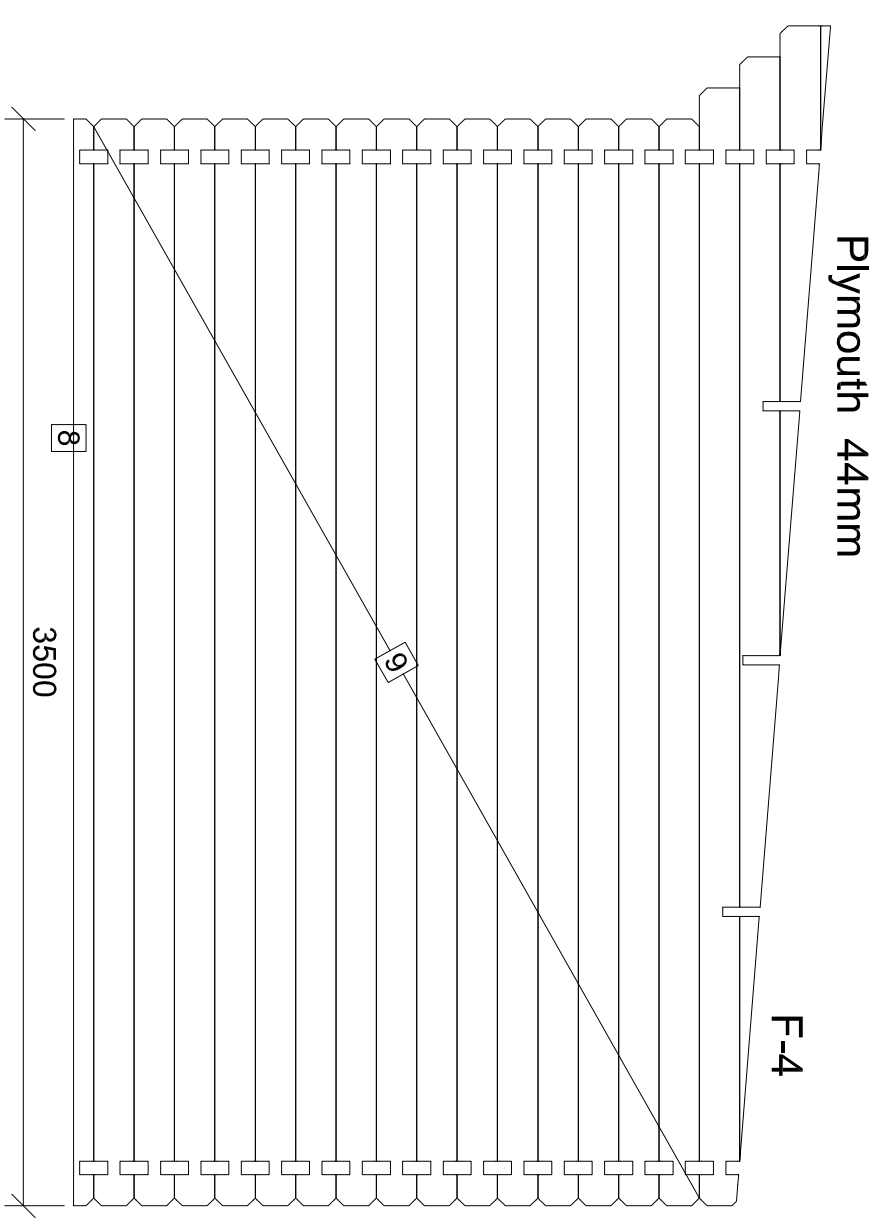
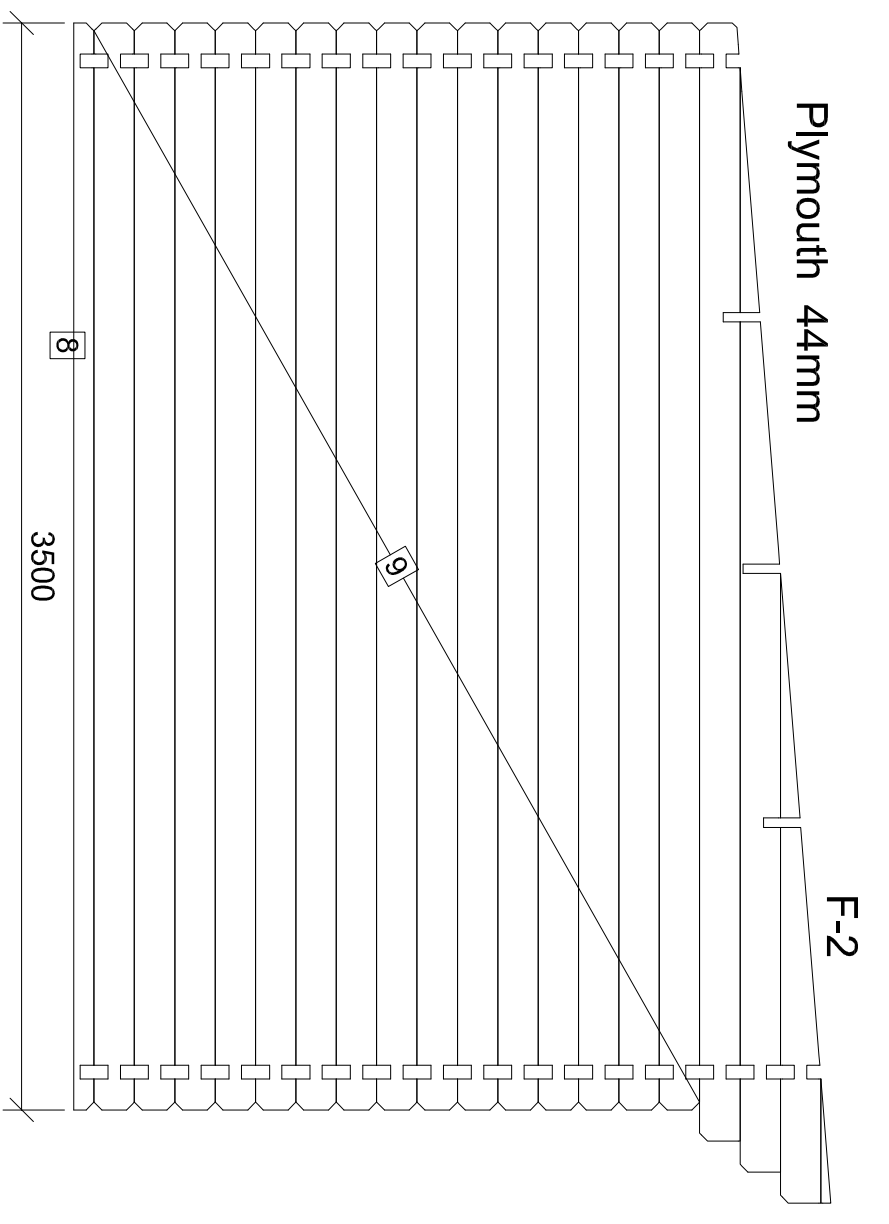
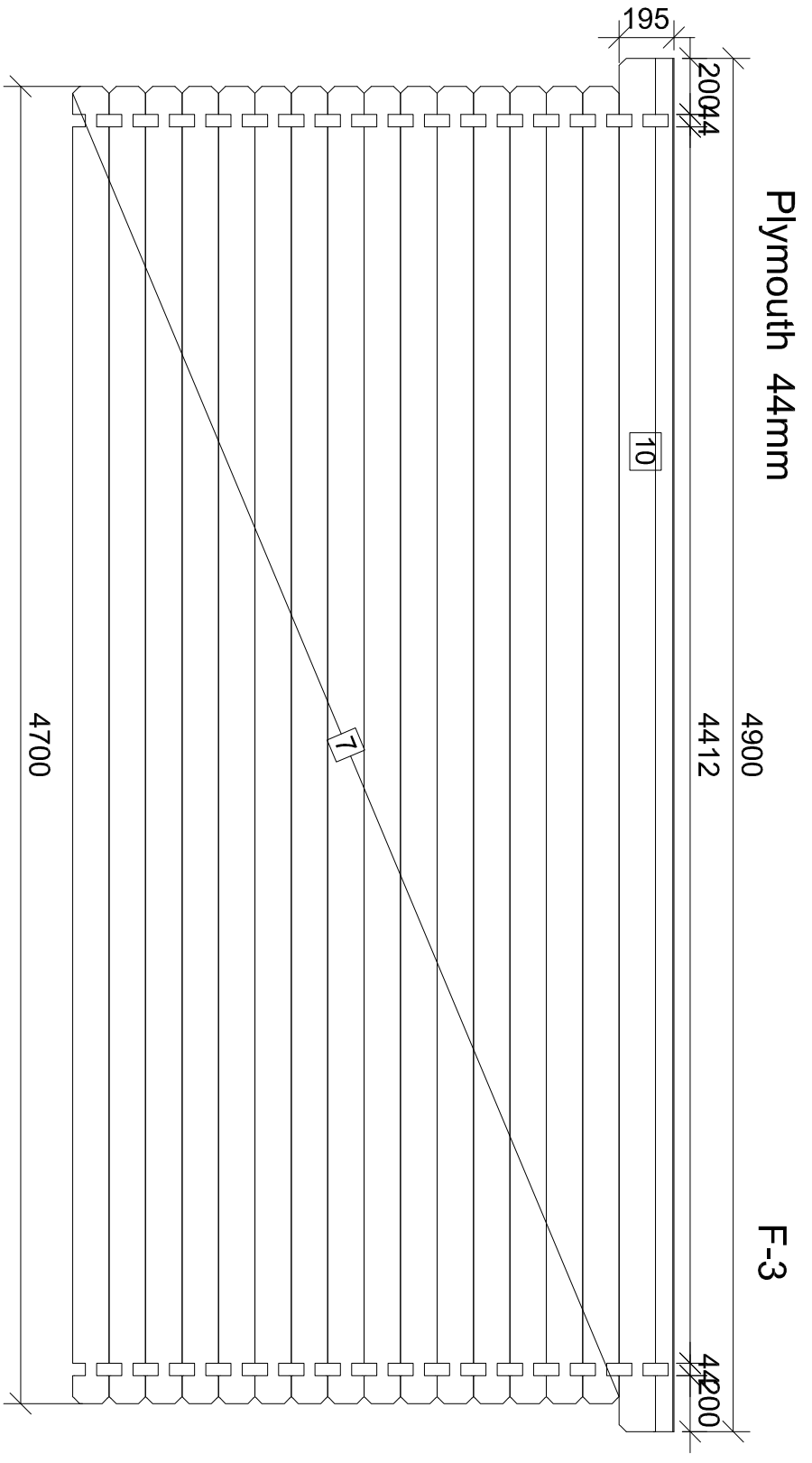
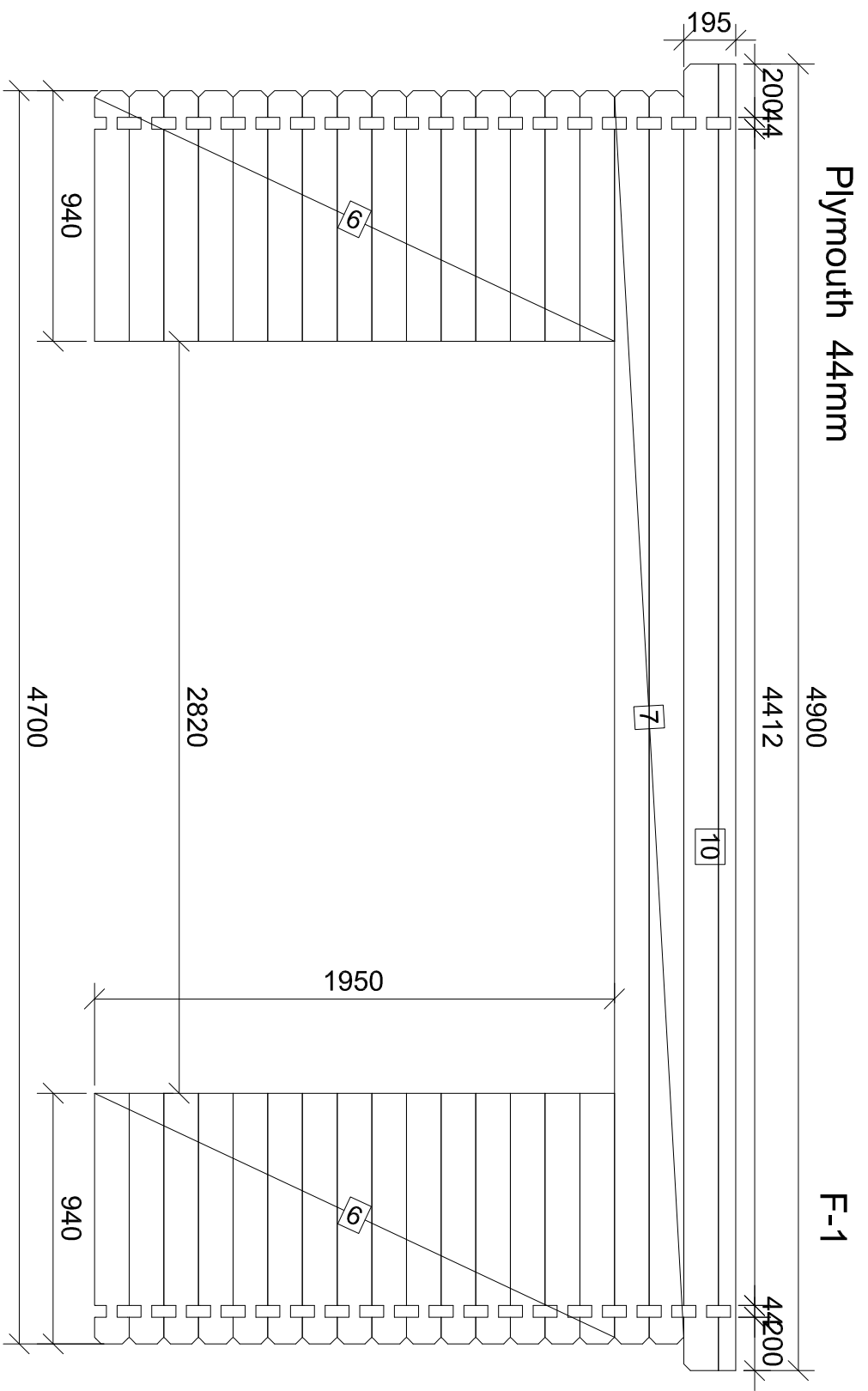
**Plymouth 44mm**



Plymouth 44mm



1. PROFILIS IVAS  
2. PALZ-116 ASB-4  
3. FURNITOROS SPALVA: RUODA



# Plymouth 44mm

## 470x350 cm

# BE 2021

Date

44mm

2021.12.17

Degree < 85°

Dimensions, mm

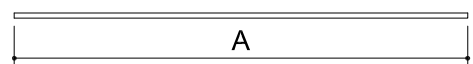
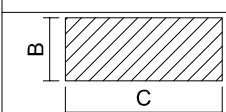
Pos.

Quantity

A

B

C



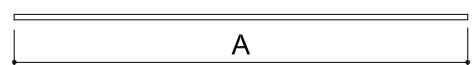
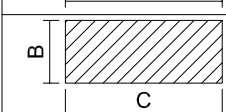
3290

40

100

1

2



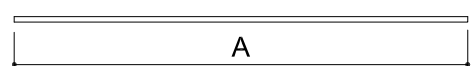
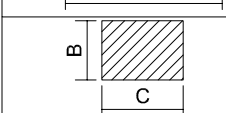
4290

40

100

2

2



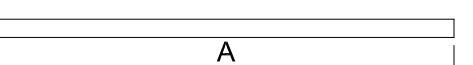
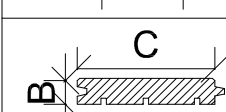
4290

40

55/60

3

6



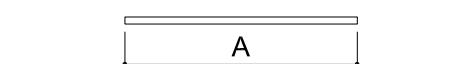
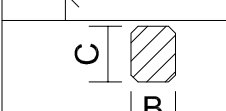
3202

28

100/130

4

45/35 + 1 extra

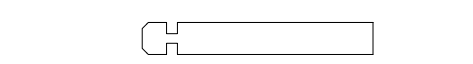
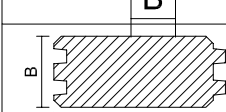


19

40

5

~ 16 meters



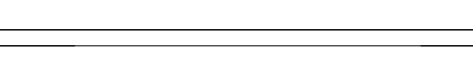
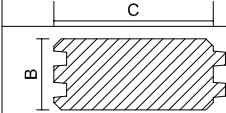
940

45

130

6

30



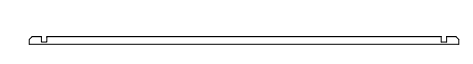
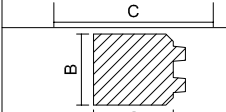
4700

45

130

7

17 + 1 extra



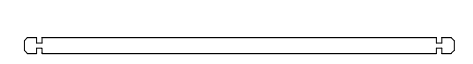
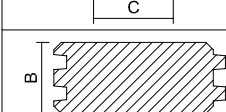
3500

45

65

8

2



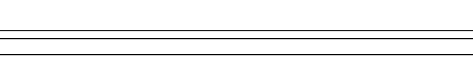
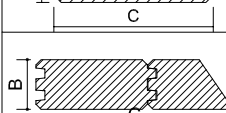
3500

45

130

9

30



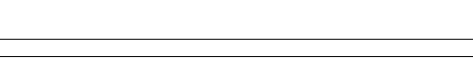
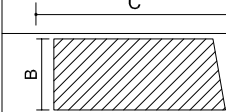
4900

45

195

10

2



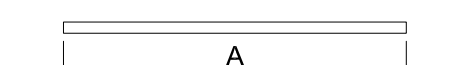
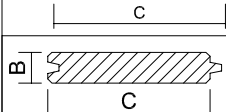
4900

44

140

11

3



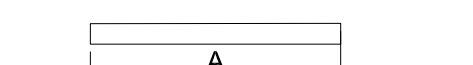
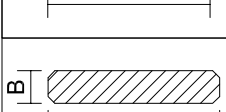
3900

19

100/86

12

49/57 + 1 extra



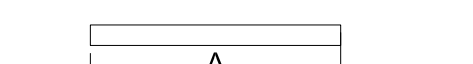
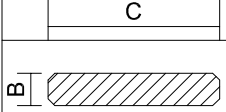
3950

28

130

13

2



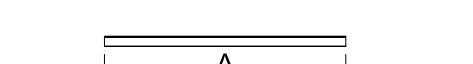
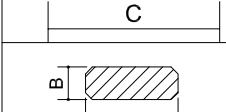
4956

28

130

14

2



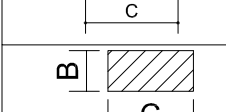
3950

19

40

15

2



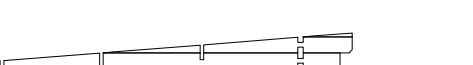
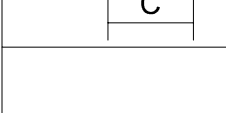
ca. 1880

19

40

16

4



3800

422

F-2,4

2



2820

1950

17

1



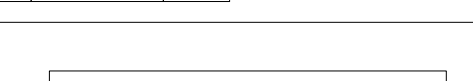
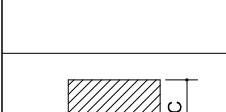
2920

45

28

18

2



4956

40

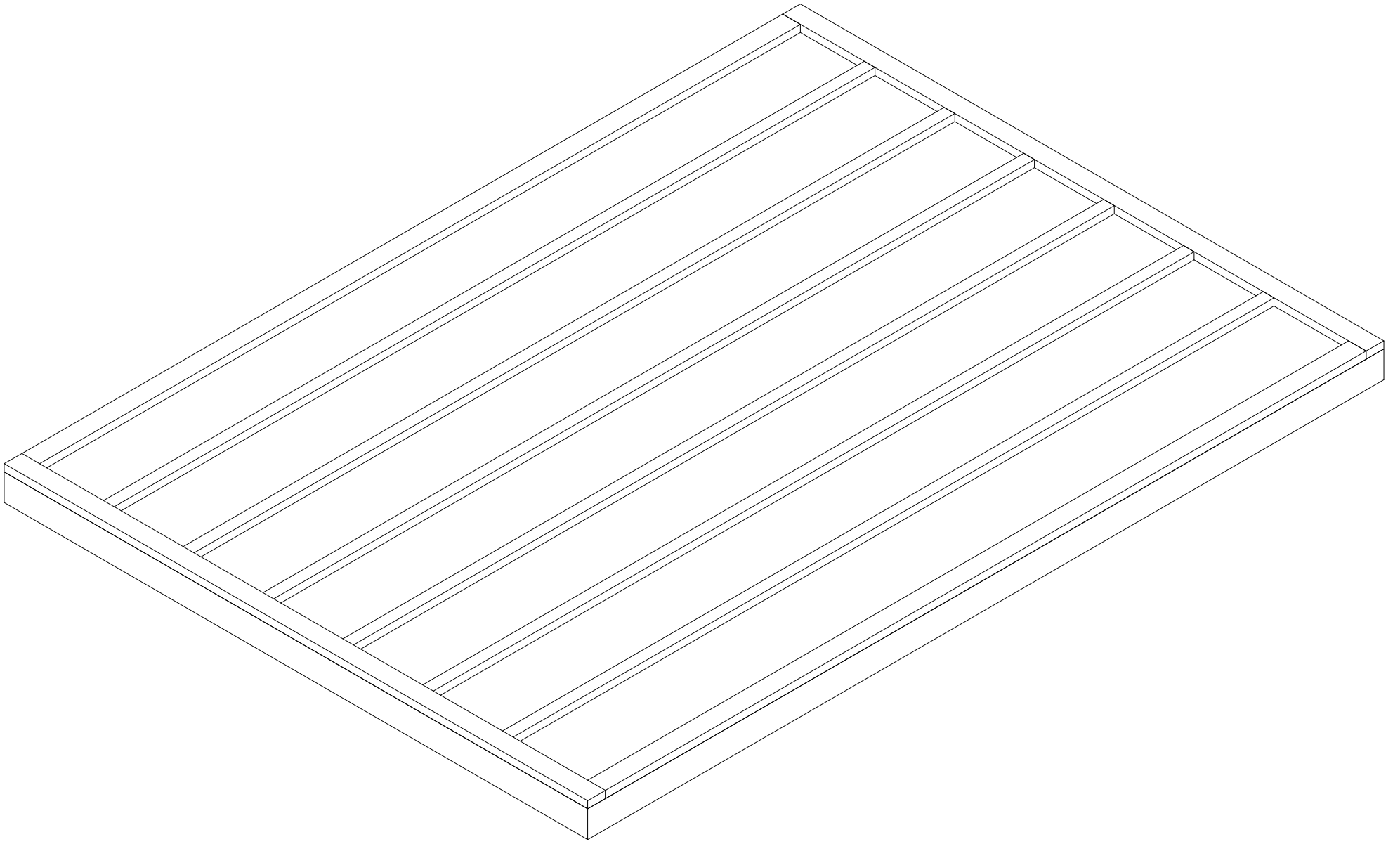
40

19

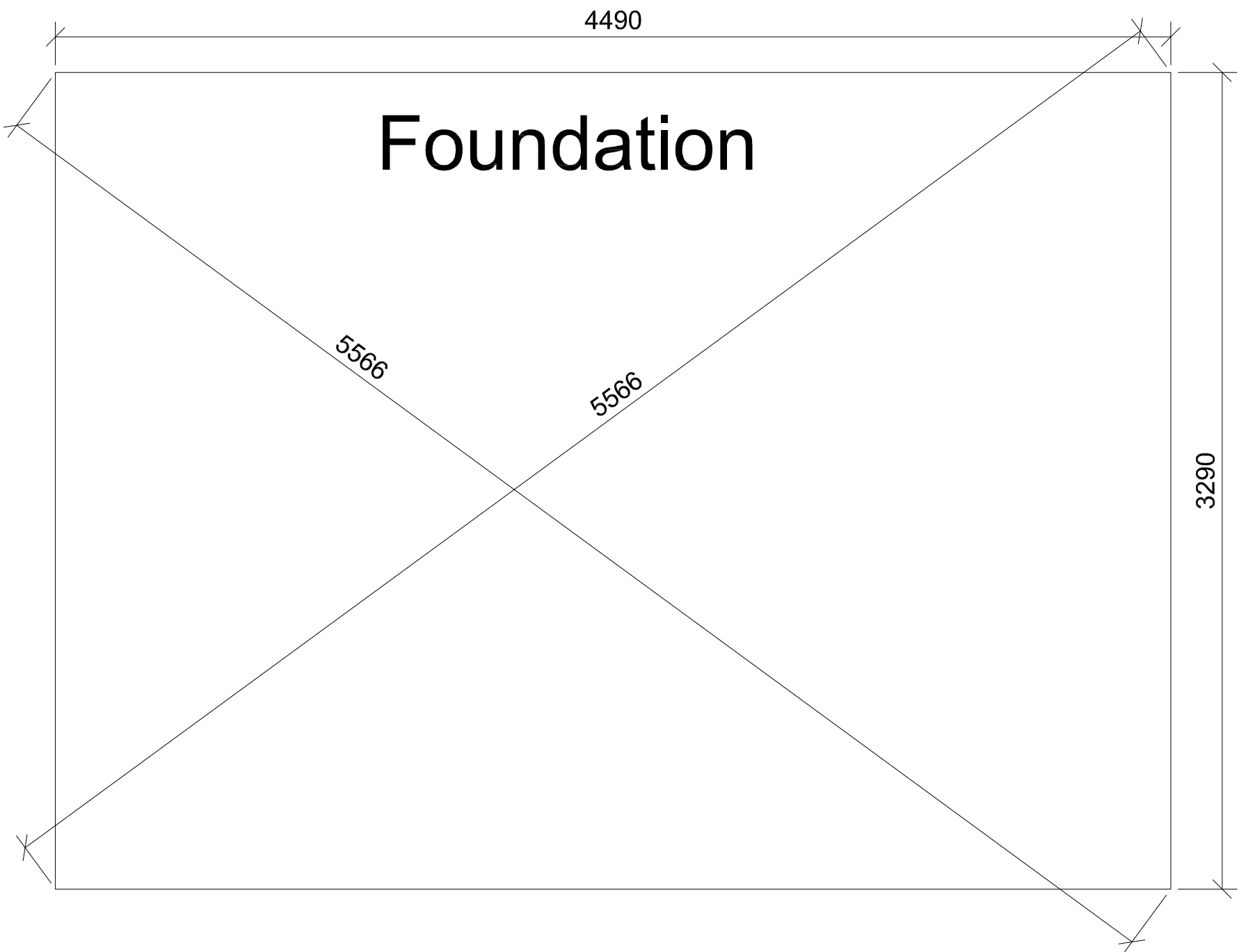
2

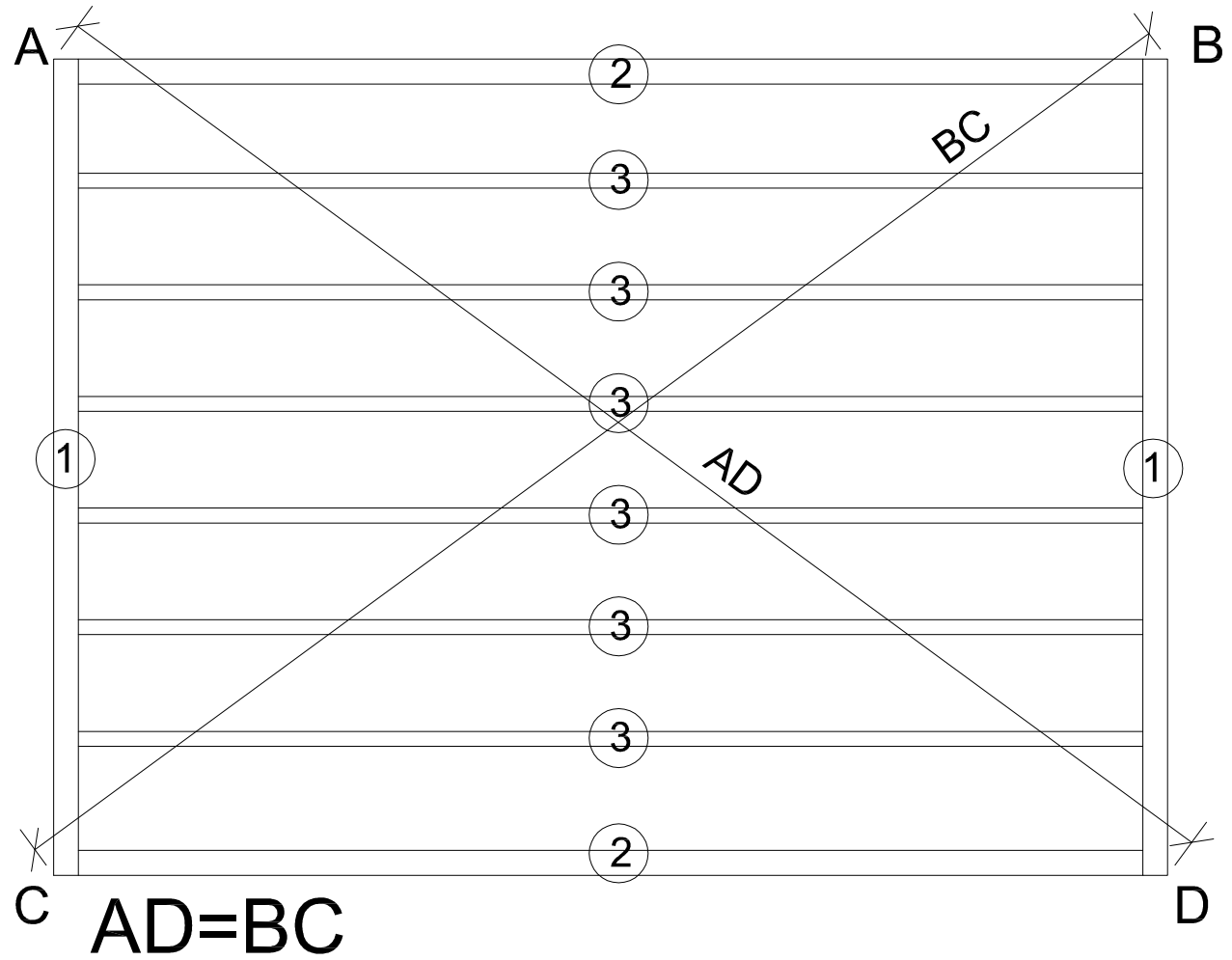
Packing no.

Name, last name

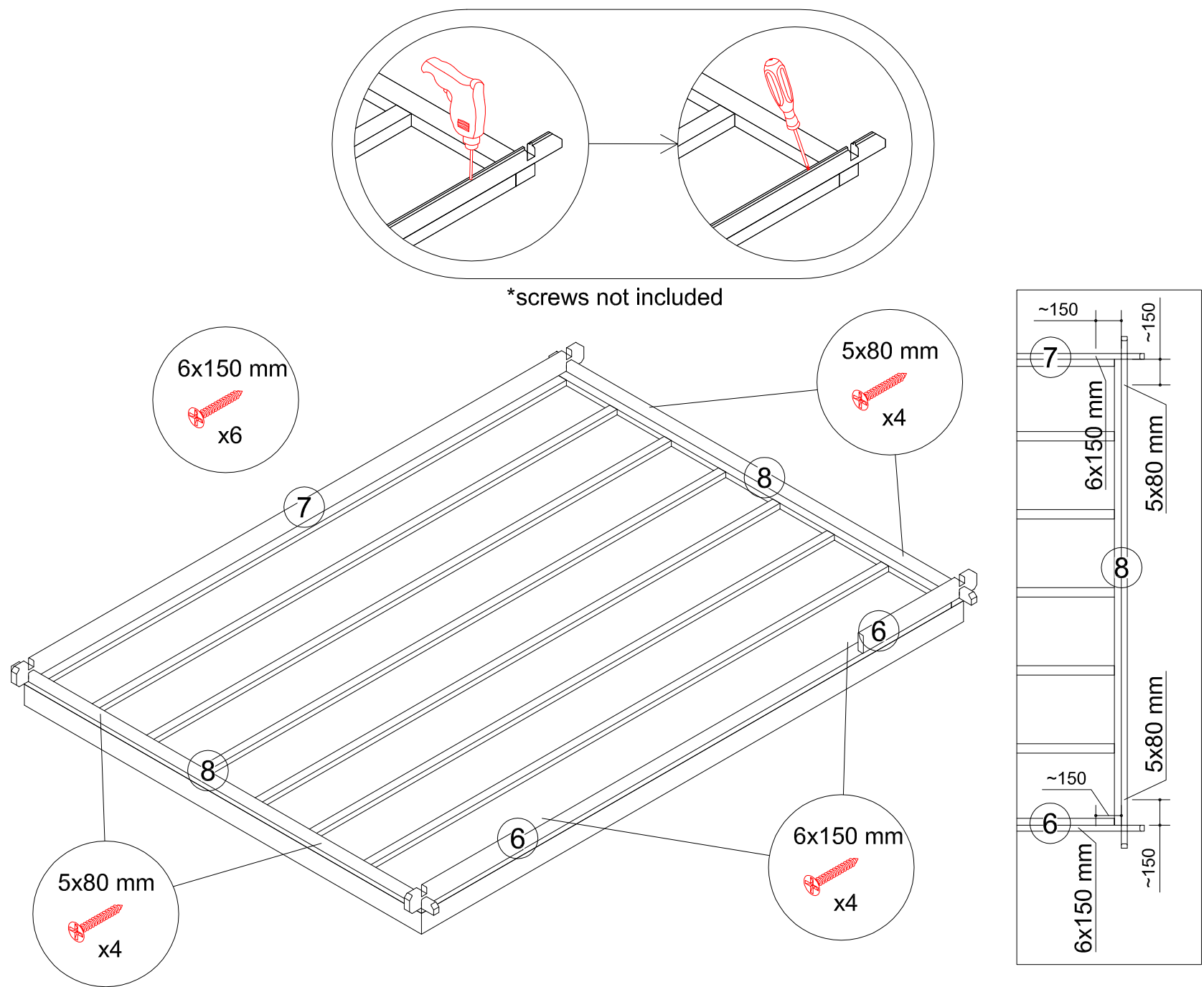


# Plymouth 44mm

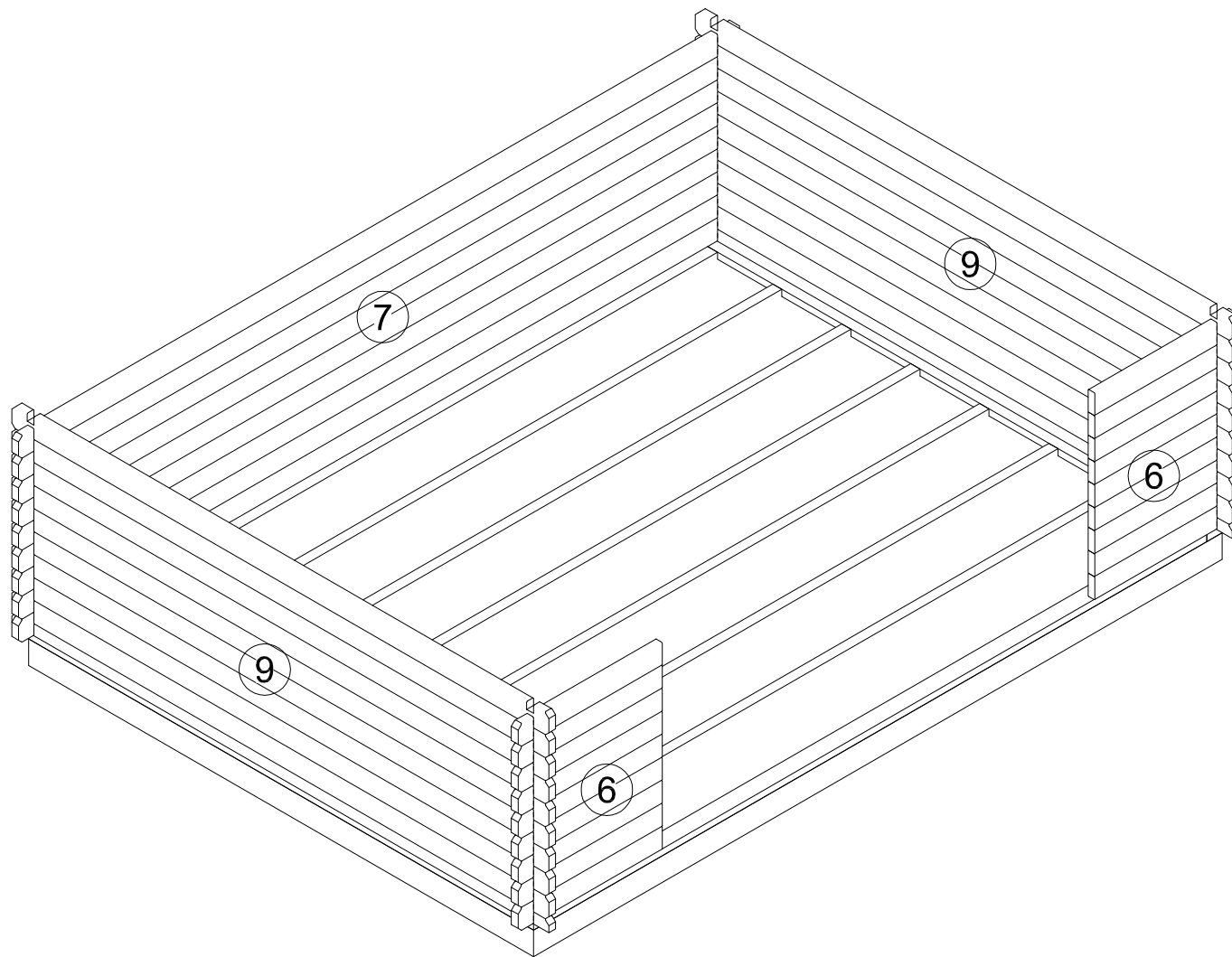


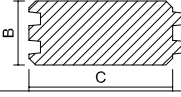
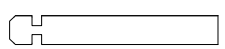
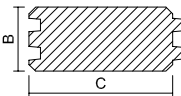
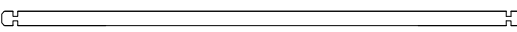
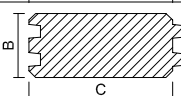



Plymouth 44mm		470x350 cm			<b>BE 2021</b>	
		44mm				
Degree < 85°		Dimensions, mm			Pos.	Quantity
		A	B	C		
		3290	40	100	1	2
		4290	40	100	2	2
		4290	40	55/60	3	6

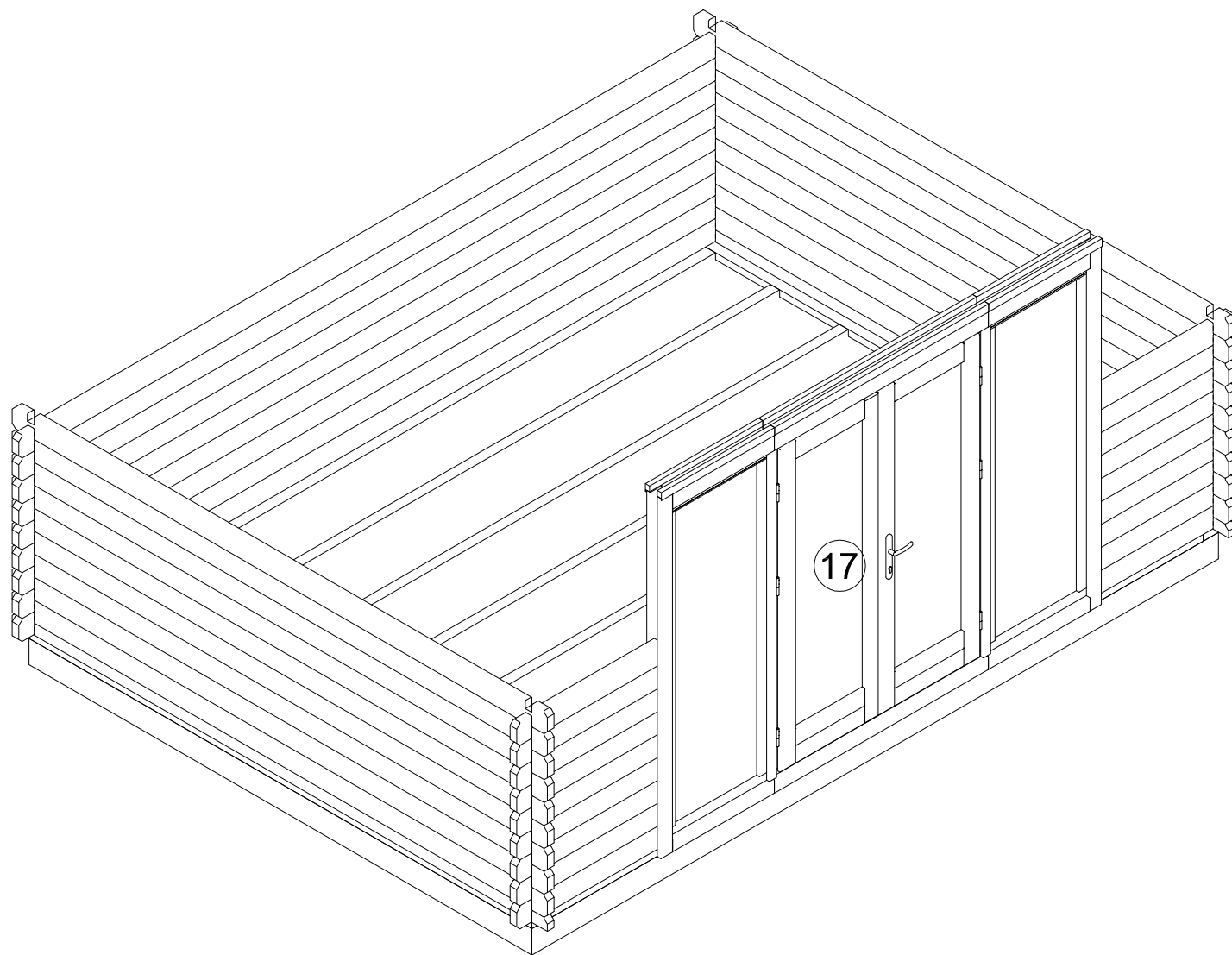


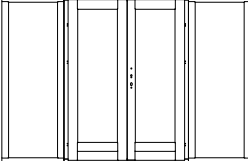
Plymouth 44mm		470x350 cm			<b>BE 2021</b>	
		44mm	2021.12.15			
Degree < 85°		Dimensions, mm			Pos.	Quantity
		A	B	C		
		940	45	130	6	30
		4700	45	130	7	17 + 1 extra
		3500	45	65	8	2

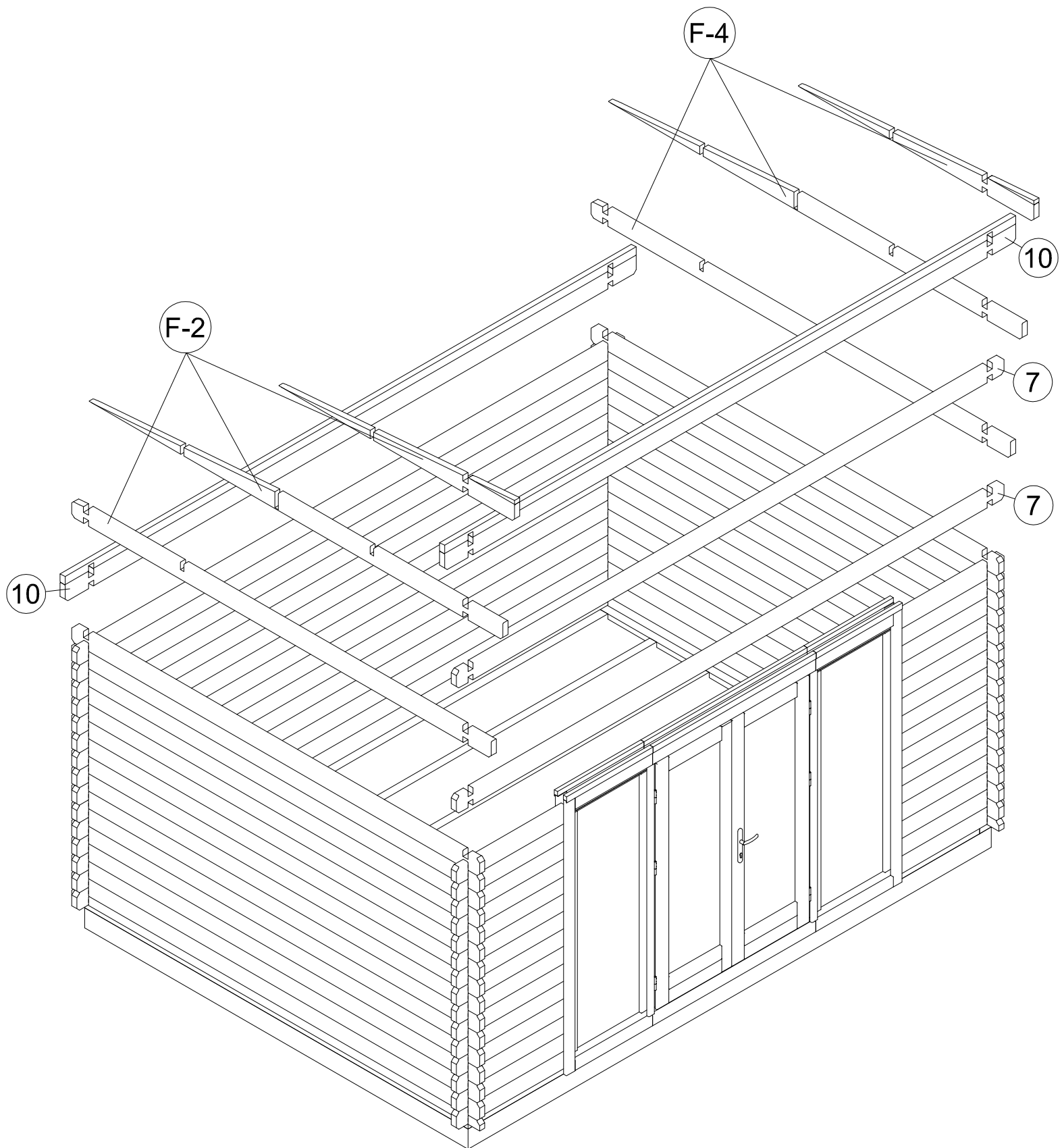


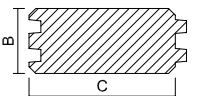
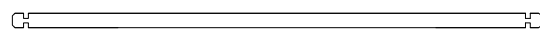
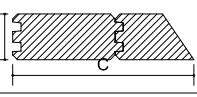
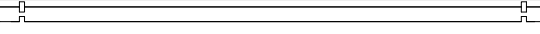

Plymouth 44mm		470x350 cm			<b>BE 2021</b>	
		44mm				
Degree < 85°		Dimensions, mm			Pos.	Quantity
		A	B	C		
		940	45	130	6	30
		4700	45	130	7	17 + 1 extra
		3500	45	130	9	30

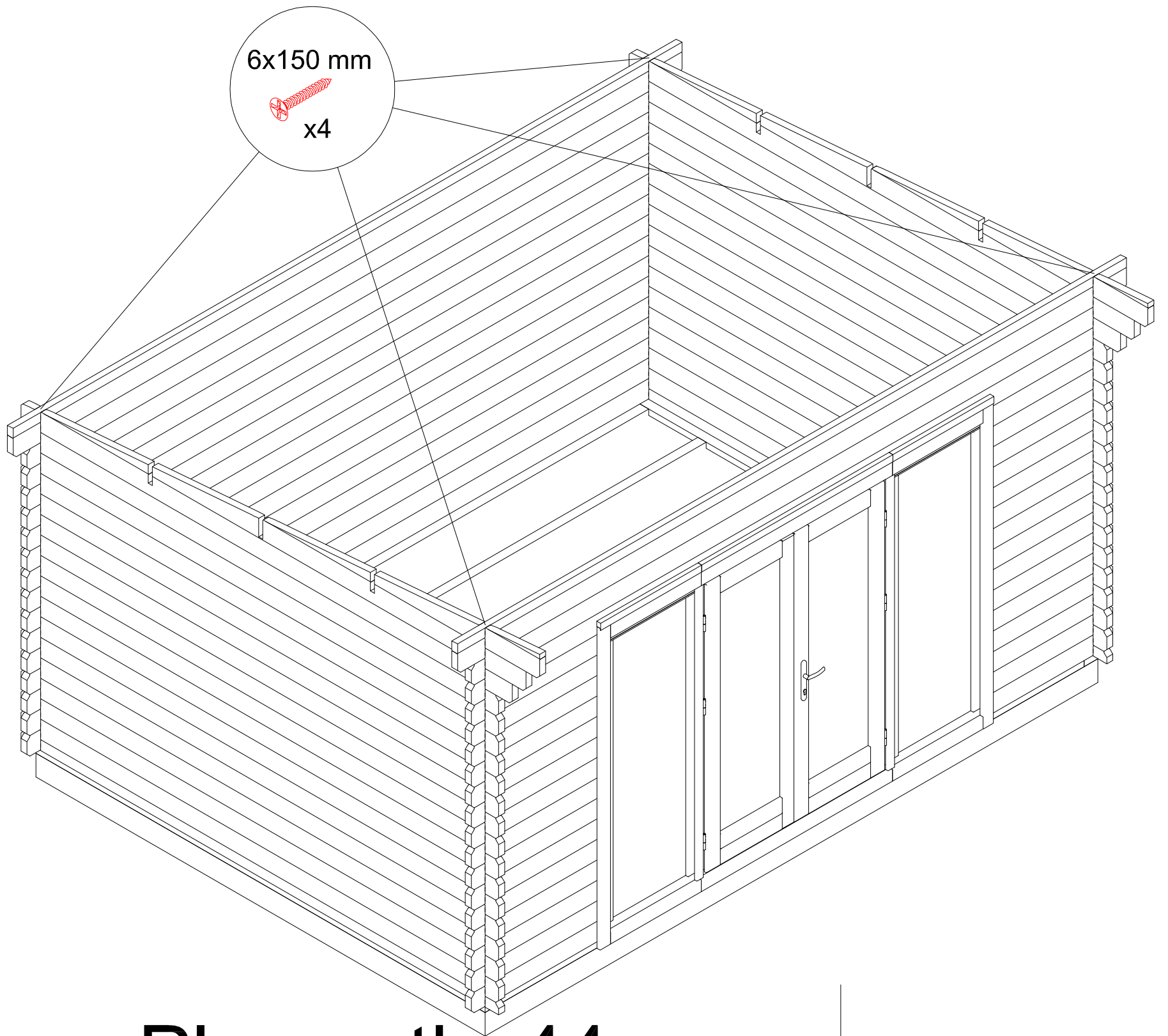




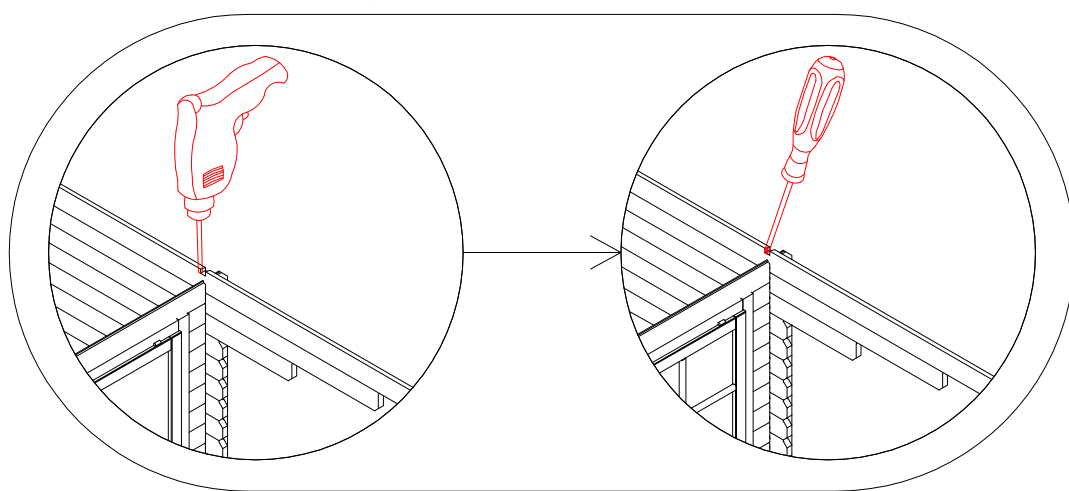
Plymouth 44mm		470x350 cm		BE 2021	
		44mm	2021.12.17		
Degree < 85°	Dimensions, mm			Pos.	Quantity
	A	B	C		
	2820	1950		17	1



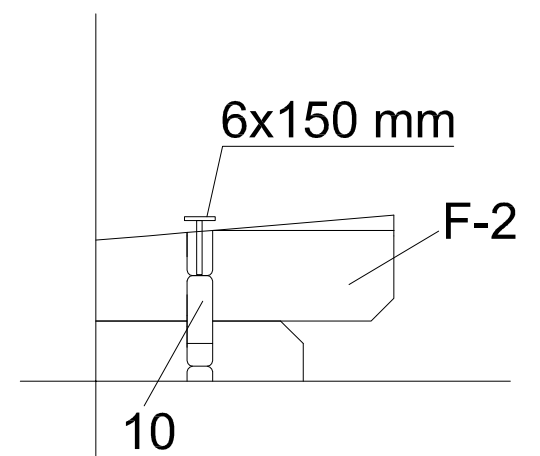
<b>Plymouth 44mm</b>		<b>470x350 cm</b>			<b>BE 2021</b>	
		44mm	2021.12.17			
Degree < 85°		Dimensions, mm			Pos.	Quantity
		A	B	C		
		4700	45	130	7	17 + 1 extra
		4900	45	195	10	2
		3800	422		F-2,4	2

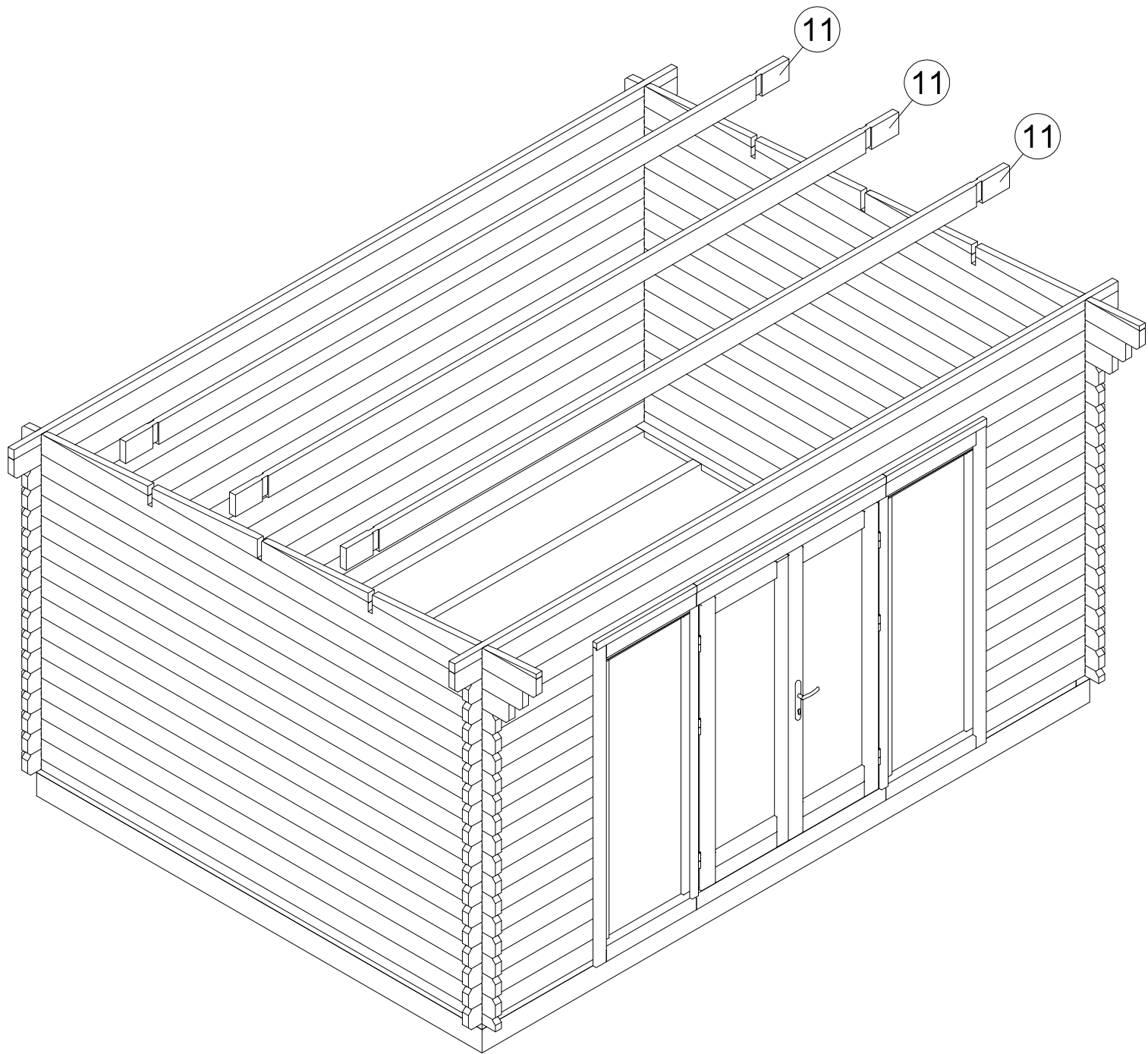


# Plymouth 44mm

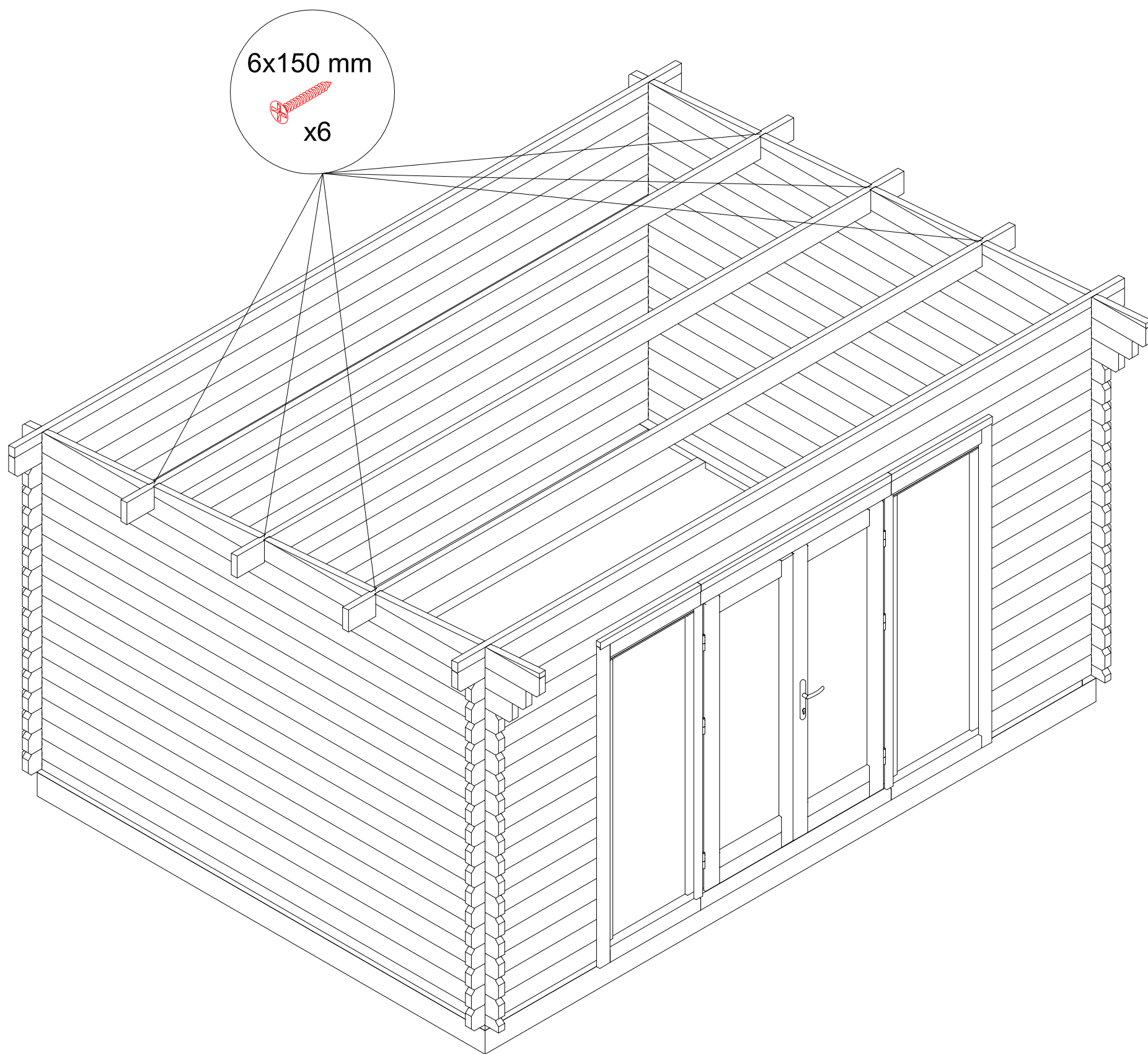


\*screws not included

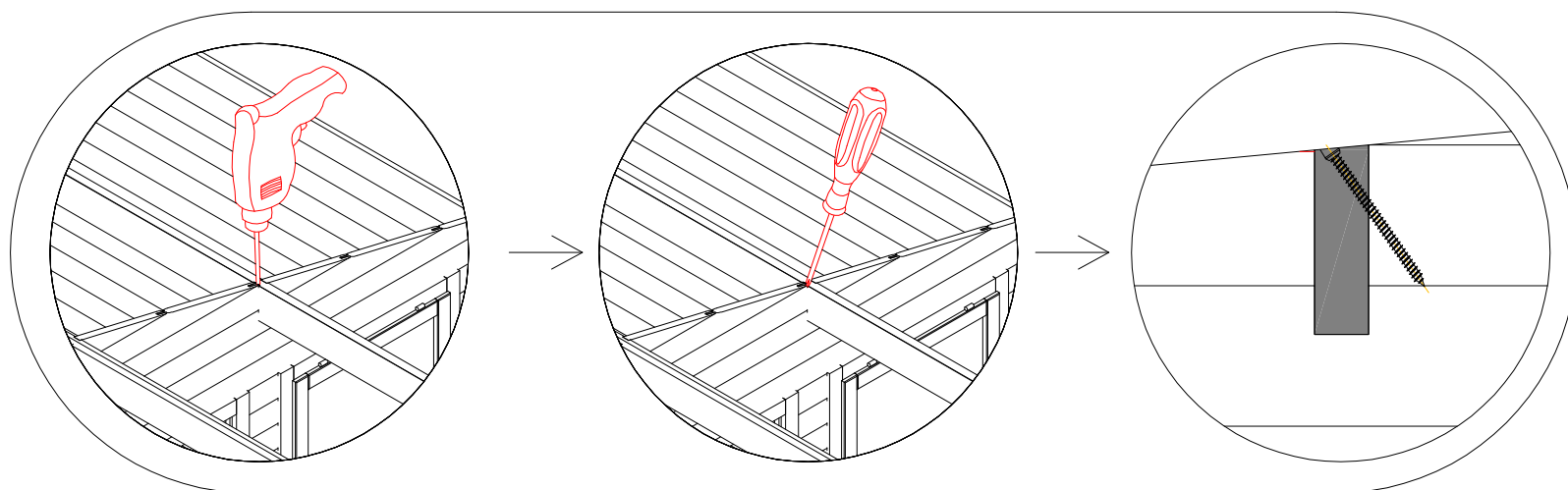




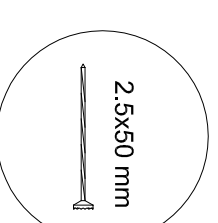
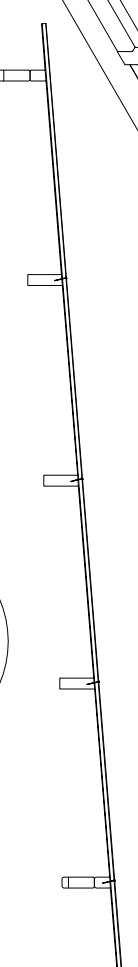
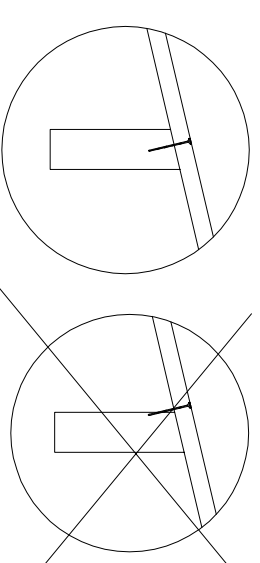
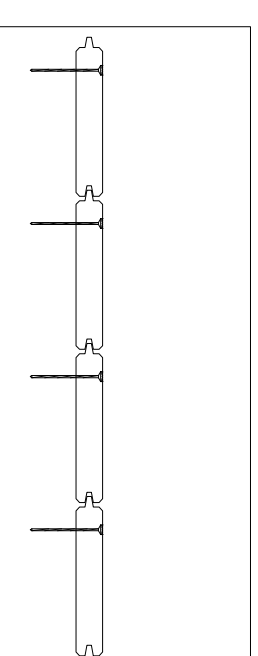
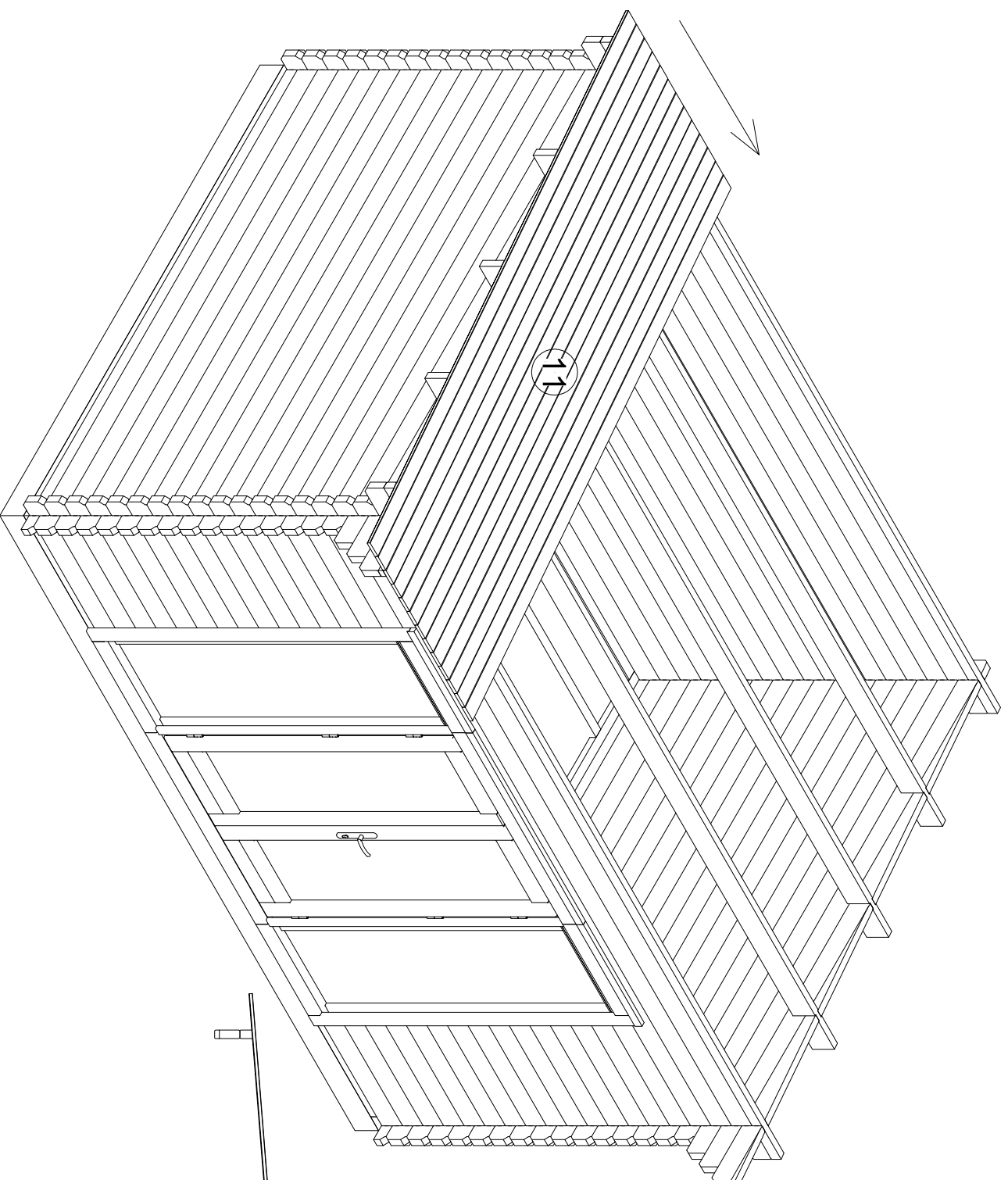
Plymouth 44mm		470x350 cm			<b>BE 2021</b>	
		44mm	2021.12.17			
Degree < 85°		Dimensions, mm			Pos.	Quantity
		A	B	C		
		4900	44	140	11	3



# Plymouth 44mm

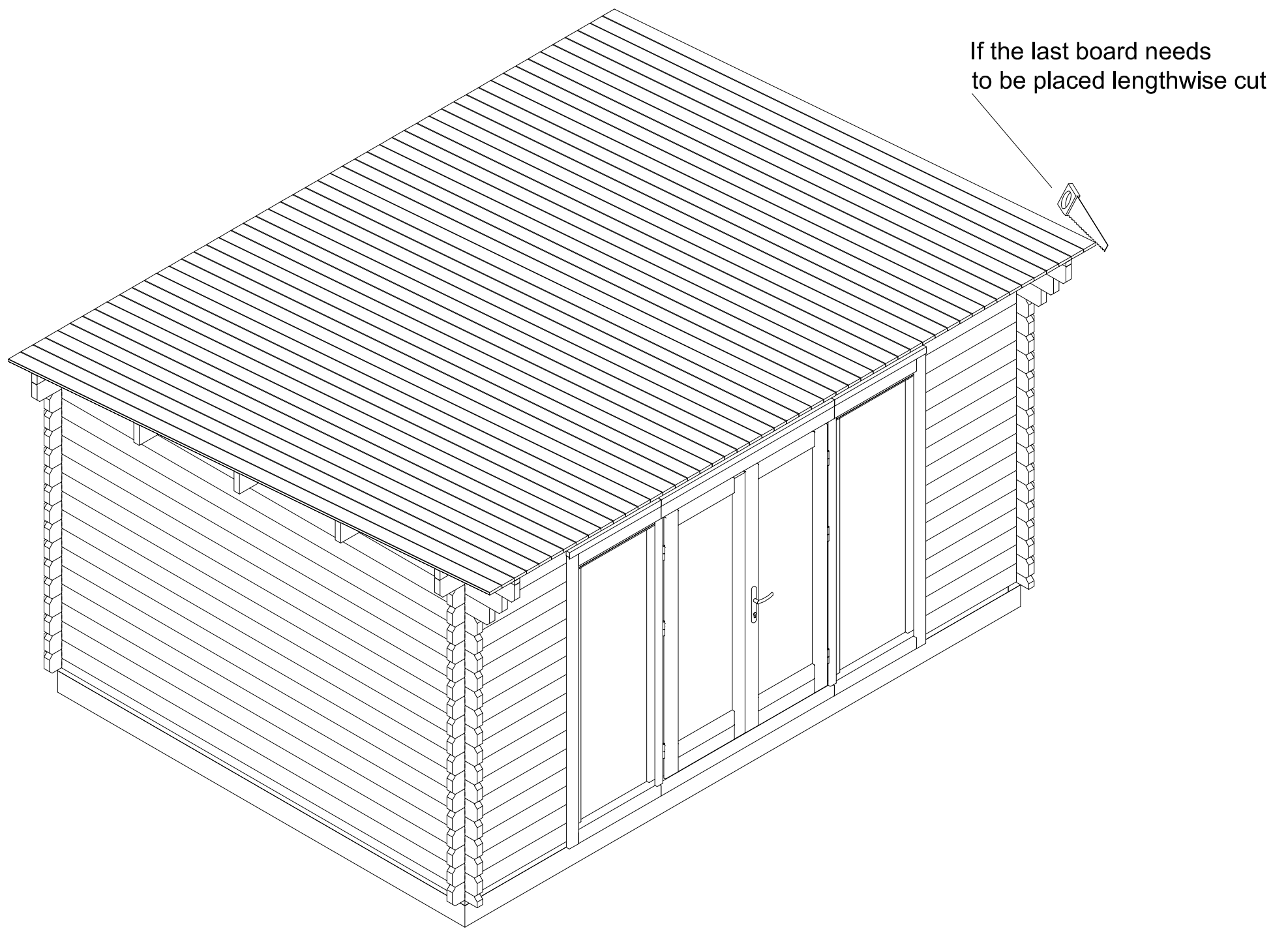


\*screws not included

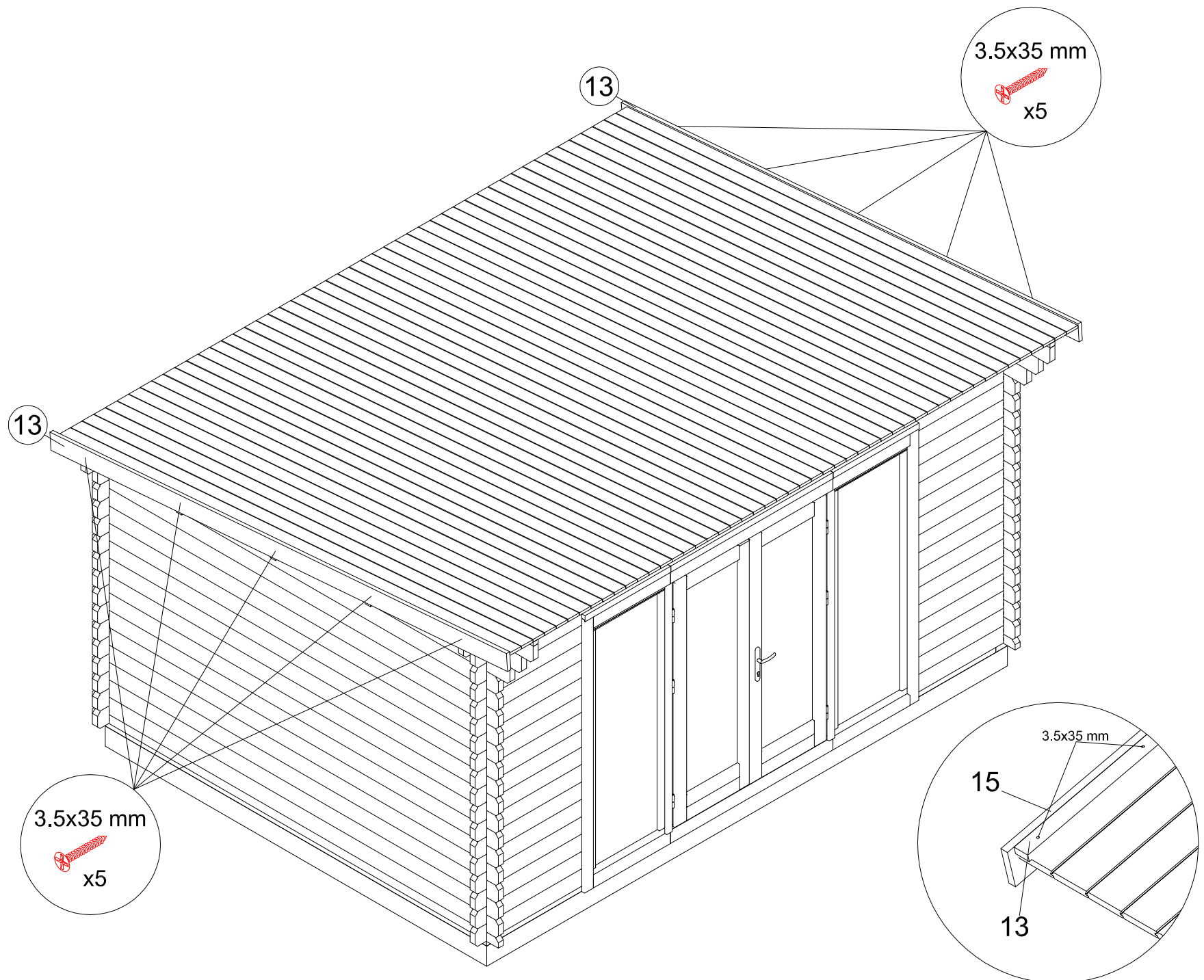


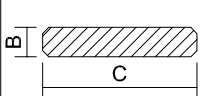
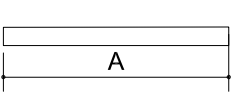
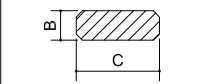
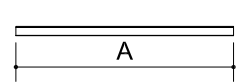
\*nails not included

<h1>Plymouth 44mm</h1>		<h2>470x350 cm</h2>			<h1>BE 2021</h1>
		44mm 2021.12.17			
Degree < 85°		Dimensions, mm		Pos.	Quantity
		<b>A</b>	<b>B</b>		
		3900	19	100/86	12
		49/57 + 1 extra			

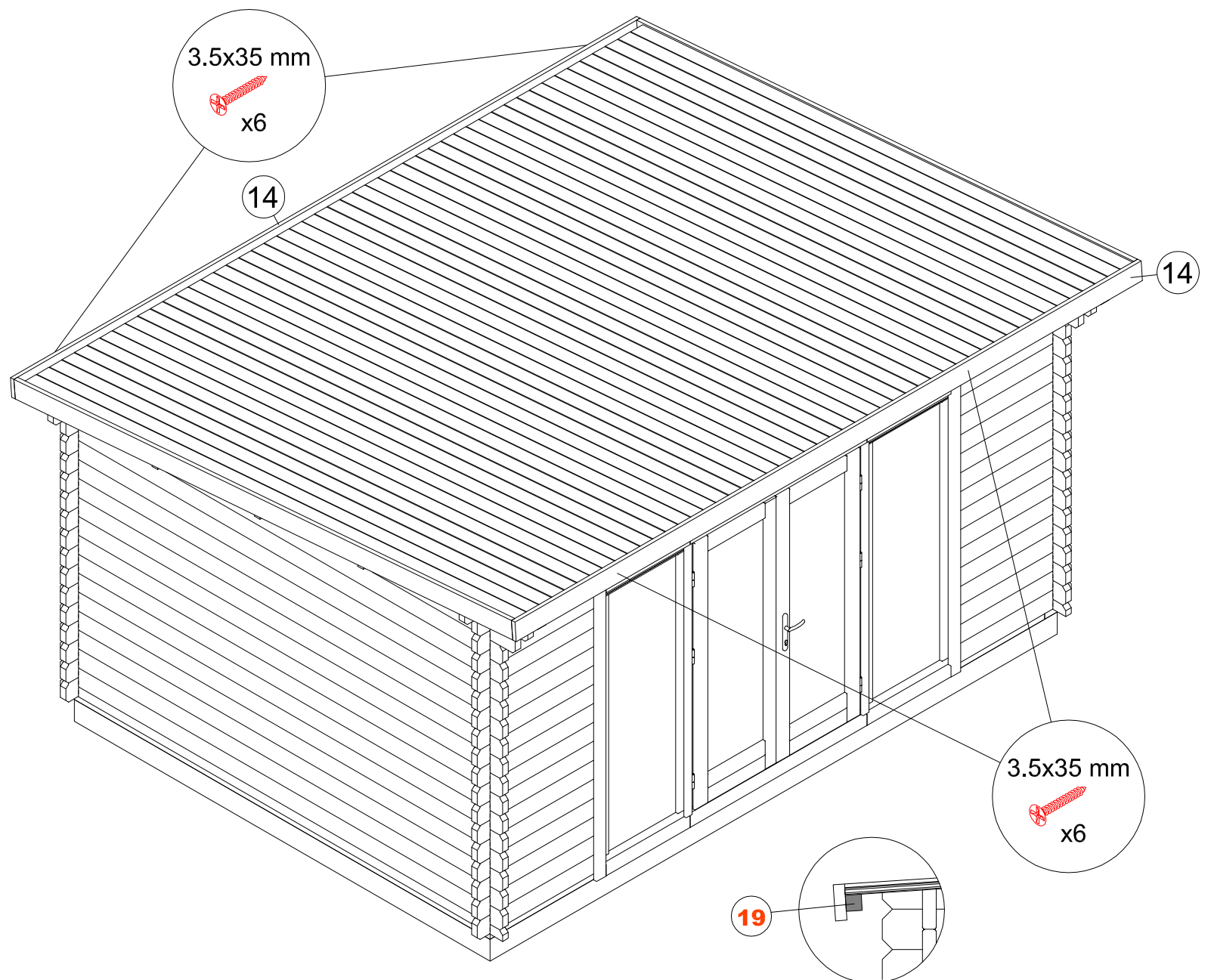


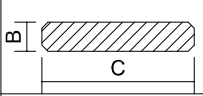
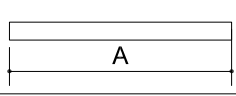
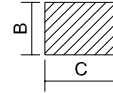
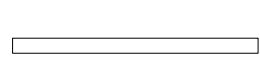
**Plymouth 44mm**

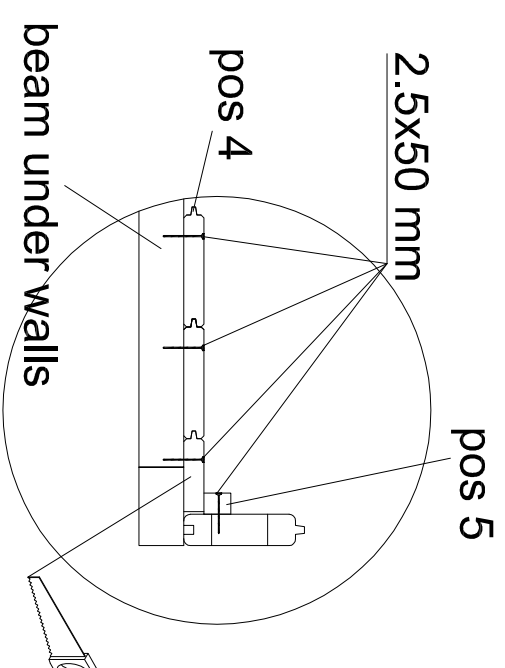
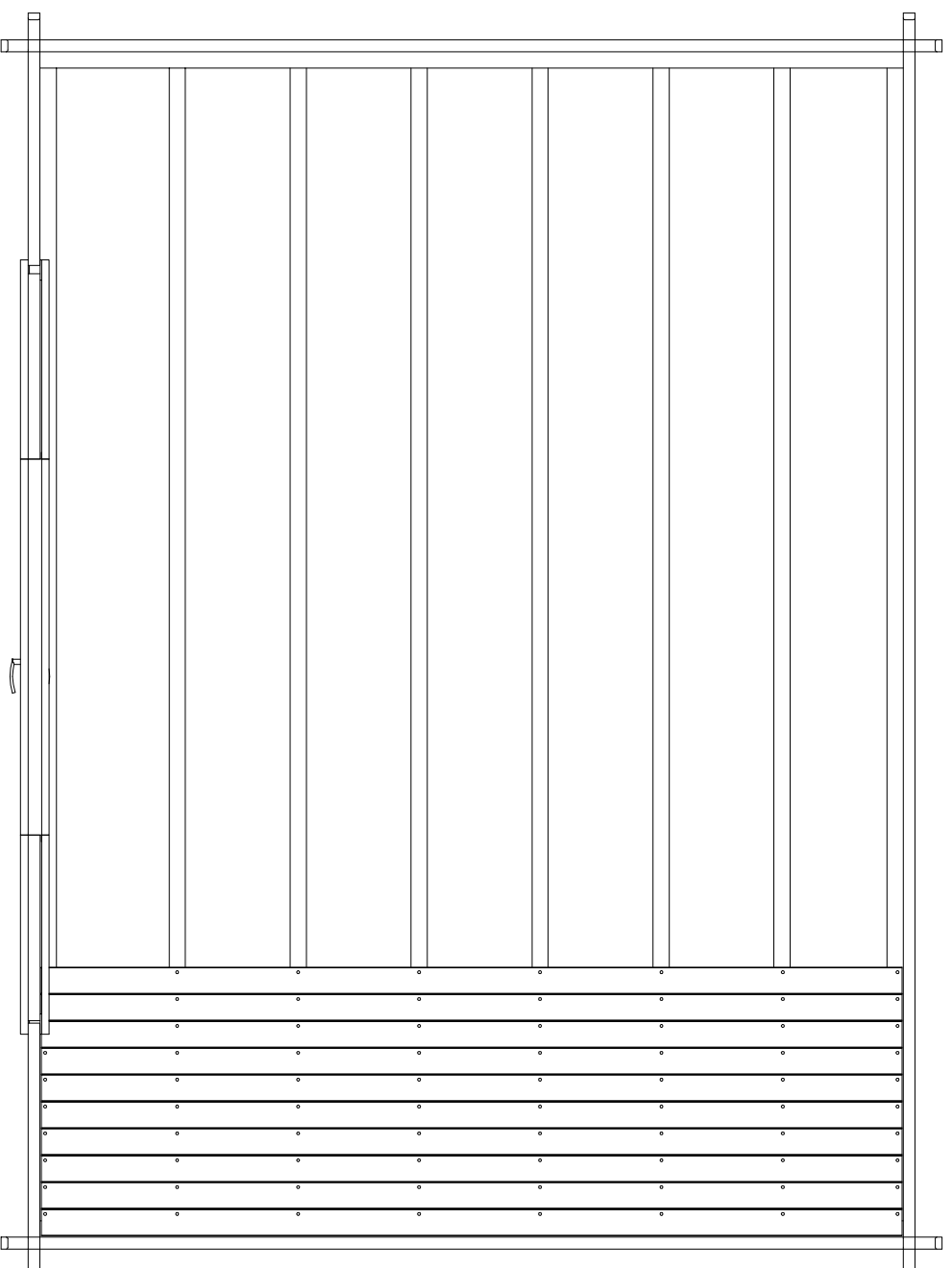


Plymouth 44mm		470x350 cm			<b>BE 2021</b>	
		44mm				
Degree < 85°		Dimensions, mm			Pos.	Quantity
		A	B	C		
		3950	28	130	13	2
		3950	19	40	15	2





Plymouth 44mm		470x350 cm			BE 2021	
		44mm	2021.12.17			
Degree < 85°		Dimensions, mm			Pos.	Quantity
		A	B	C		
		4956	28	130	14	2
		4956	40	40	19	2

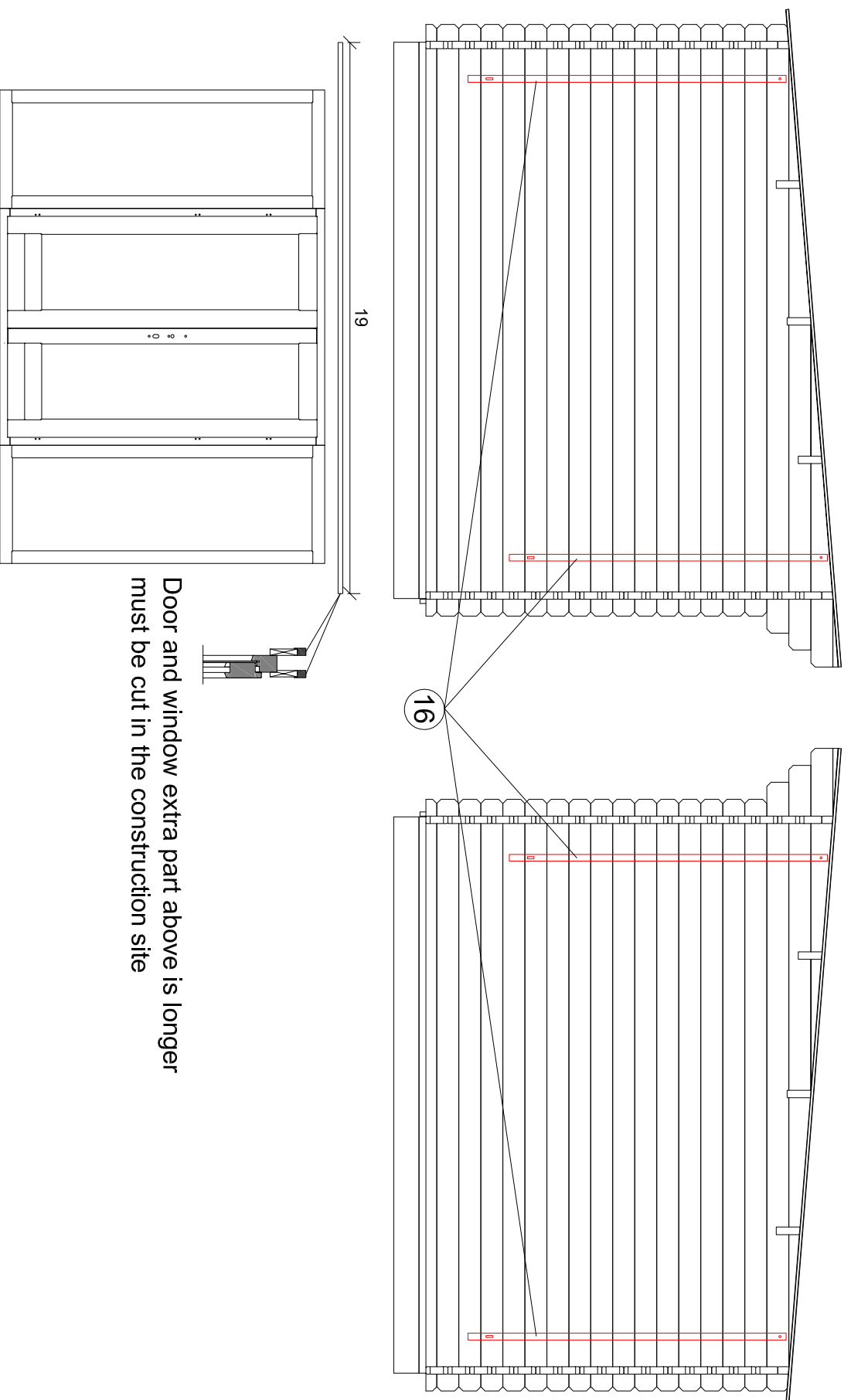


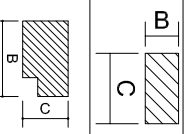
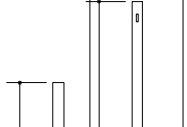
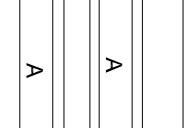
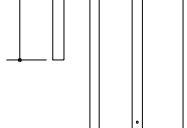
If the last board needs  
to be placed lengthwise cut

nails not included

<h1>Plymouth 44mm</h1>	<h2>470x350 cm</h2>			<h1>BE 2021</h1>		
	44mm 2021.12.17					
Degree < 85°	Dimensions, mm			Pos.	Quantity	
	<b>A</b>	<b>B</b>	<b>C</b>			
	3202	28	100/130			4
			19	40	5	~ 16 meters

1. Expansion braces should be fitted internally for ease of adjustment
2. The bolt head should be external, the nut internal
3. Once the cabin has been completely erected, do not over tighten – hand tight is sufficient – in order to allow timbers to expand & contract.



<b>Plymouth 44mm</b>	<b>470x350 cm</b>		<b>BE 2021</b>					
	44mm				2021.12.15			
Degree < 85°	Dimensions, mm			Pos.	Quantity			
	A	B	C					
	ca. 1880	19	40			16	4	
				2920	45	28	18	2

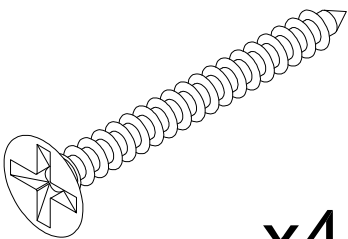
# Plymouth 44mm

470x350 cm

44mm

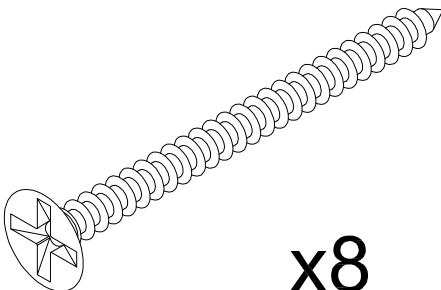
2021.12.17

3.5x35 mm



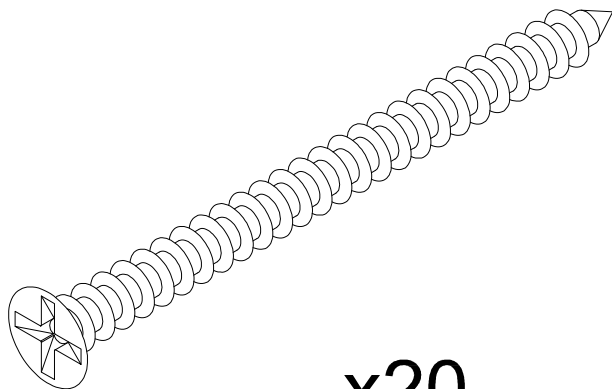
x44

5x80 mm



x8

6x150 mm



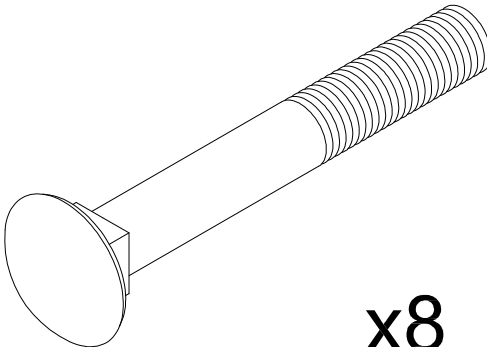
x20

2.5x50 mm



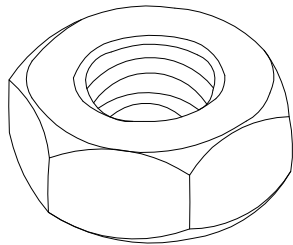
x650

8x60 mm

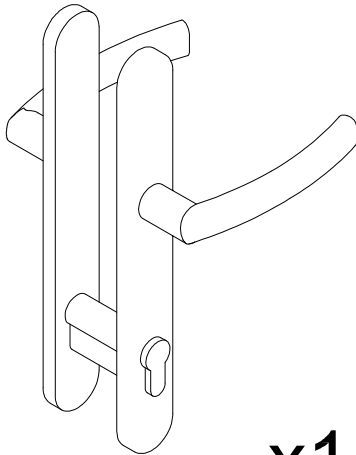


x8

M8

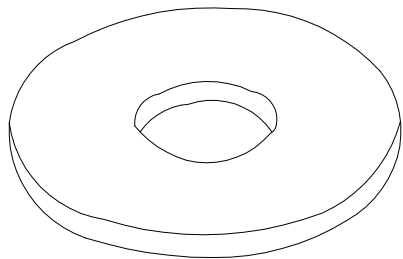


x8



x1

M8



x8