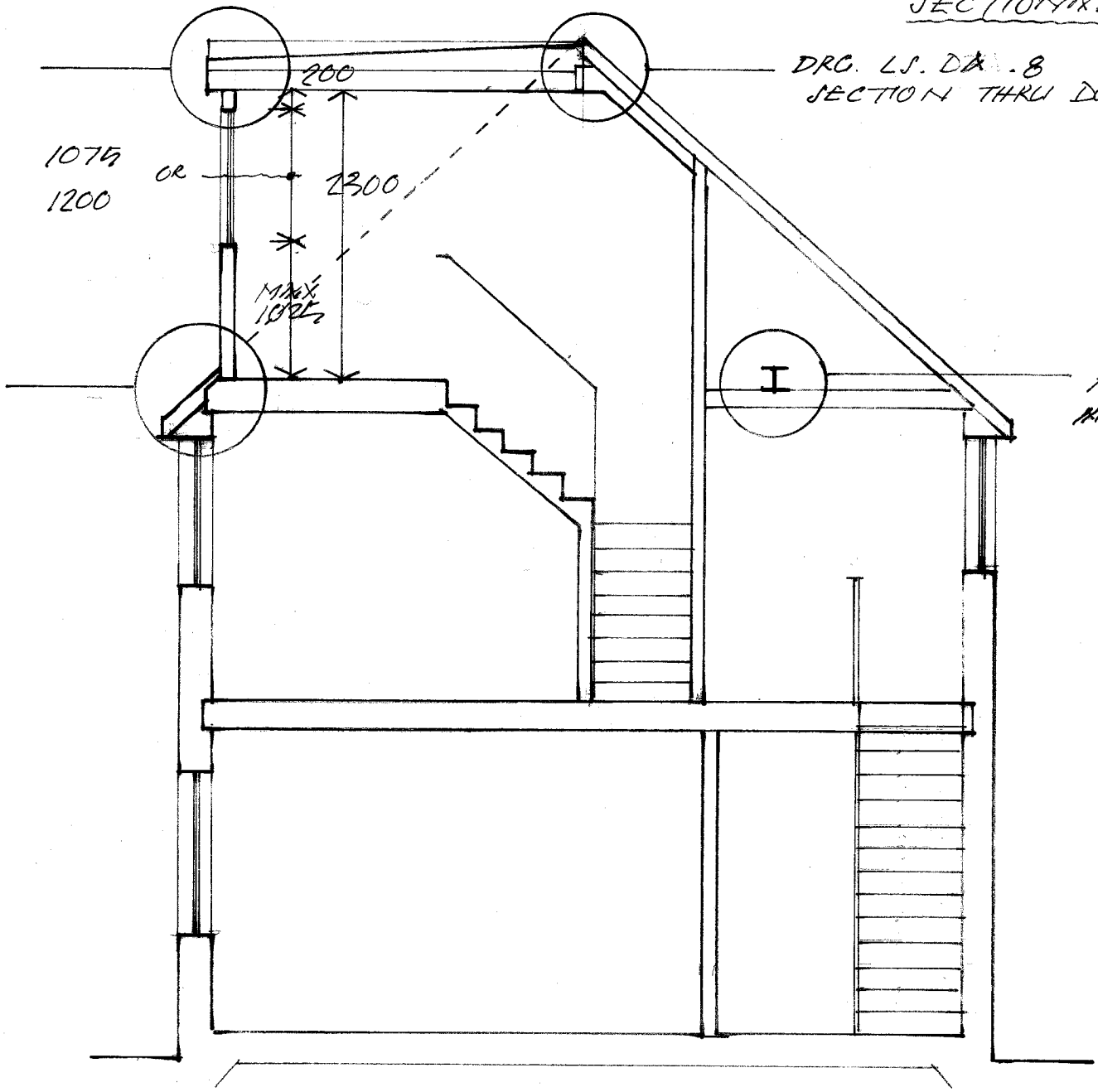


LS. DA. .8
SECTION

SECTION XL ELEVATION X-X

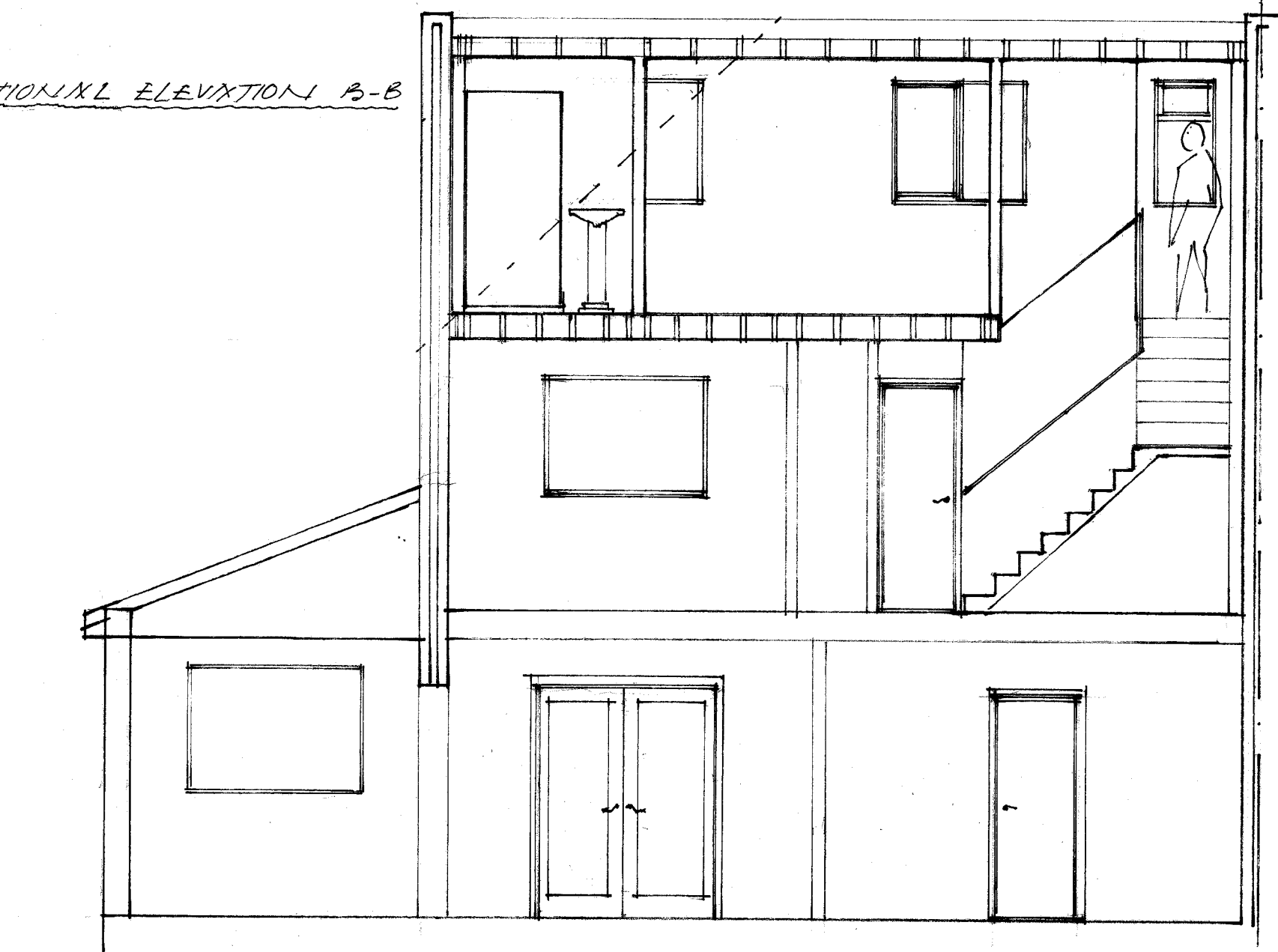


DRG. LS. DA. .8
SECTION THRU DORMER

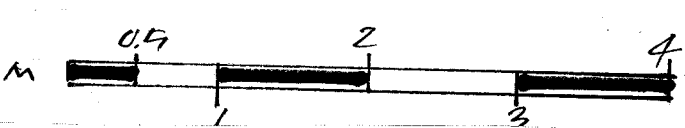
DETAIL 'B'
LS. DA. .8

DETAIL 'B'
REF. DRG. LS. DA. .8
AND ENGINEER'S DETAILS

SECTION XL ELEVATION B-B



PROPOSED HIP-TO-GABLE ROOF-SPACE CONVERSION
INCLUDING REAR DORMER AND FRONT SKYLIGHTS
@ 74 DANES WAY
PILGRIMS HATCH BRENTWOOD
ESSEX CM15 9JT



DRG. LS. DA. 5 PROPOSED SECTIONAL ELEVATIONS (1:50)
FOR MR & MRS L. SRIKANDA JANUARY 2024