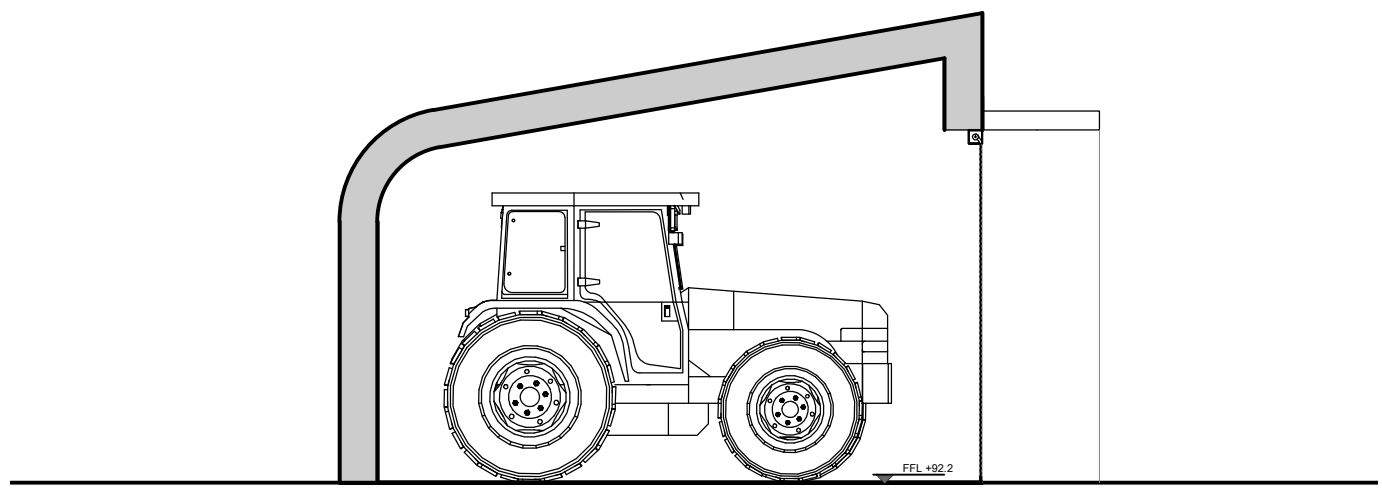
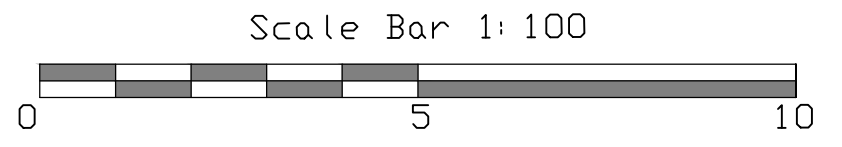


BARN FLOOR PLAN
SCALE 1:100 @ A3



BARN SECTION
SCALE 1:100 @ A3



Project;
Proposed Agricultural Tractor Shed and
Storage

Location;
Highcove Farm, Mawgan Porth, TR8 4BZ

Client;
MR Warren N Spokes and Grace A Spokes