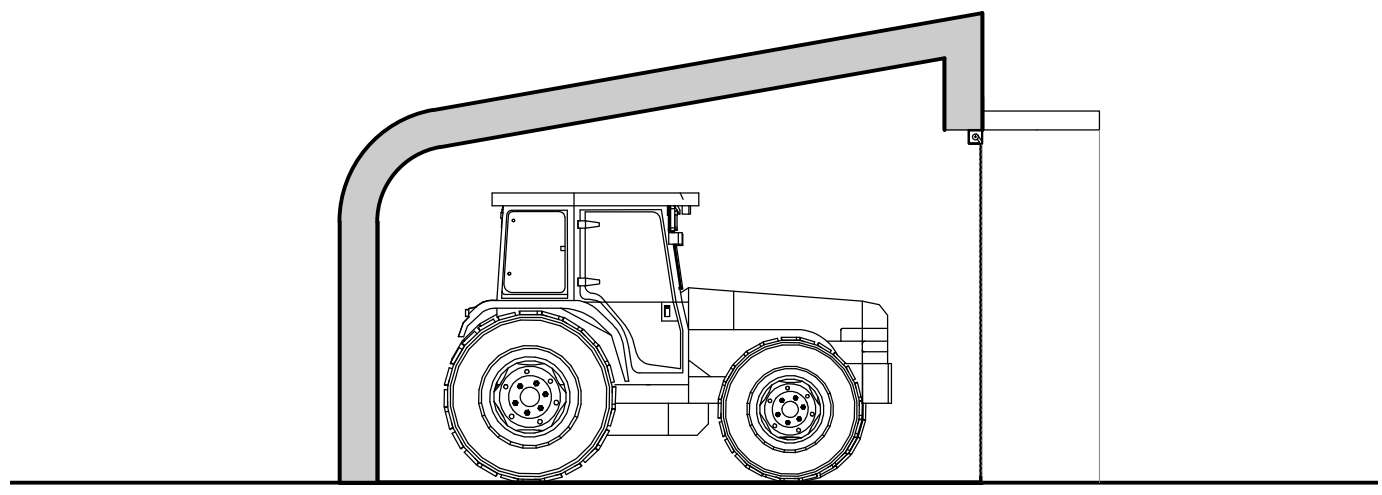


BARN FLOOR PLAN  
SCALE 1:100 @ A3



BARN SECTION  
SCALE 1:100 @ A3

Project;  
Proposed Agricultural Machinery And Implement  
Storage Shed

Location;  
Highcove Farm, Mawgan Porth, TR8 4BZ

Client;  
MR Warren N Spokes and Grace A Spokes

