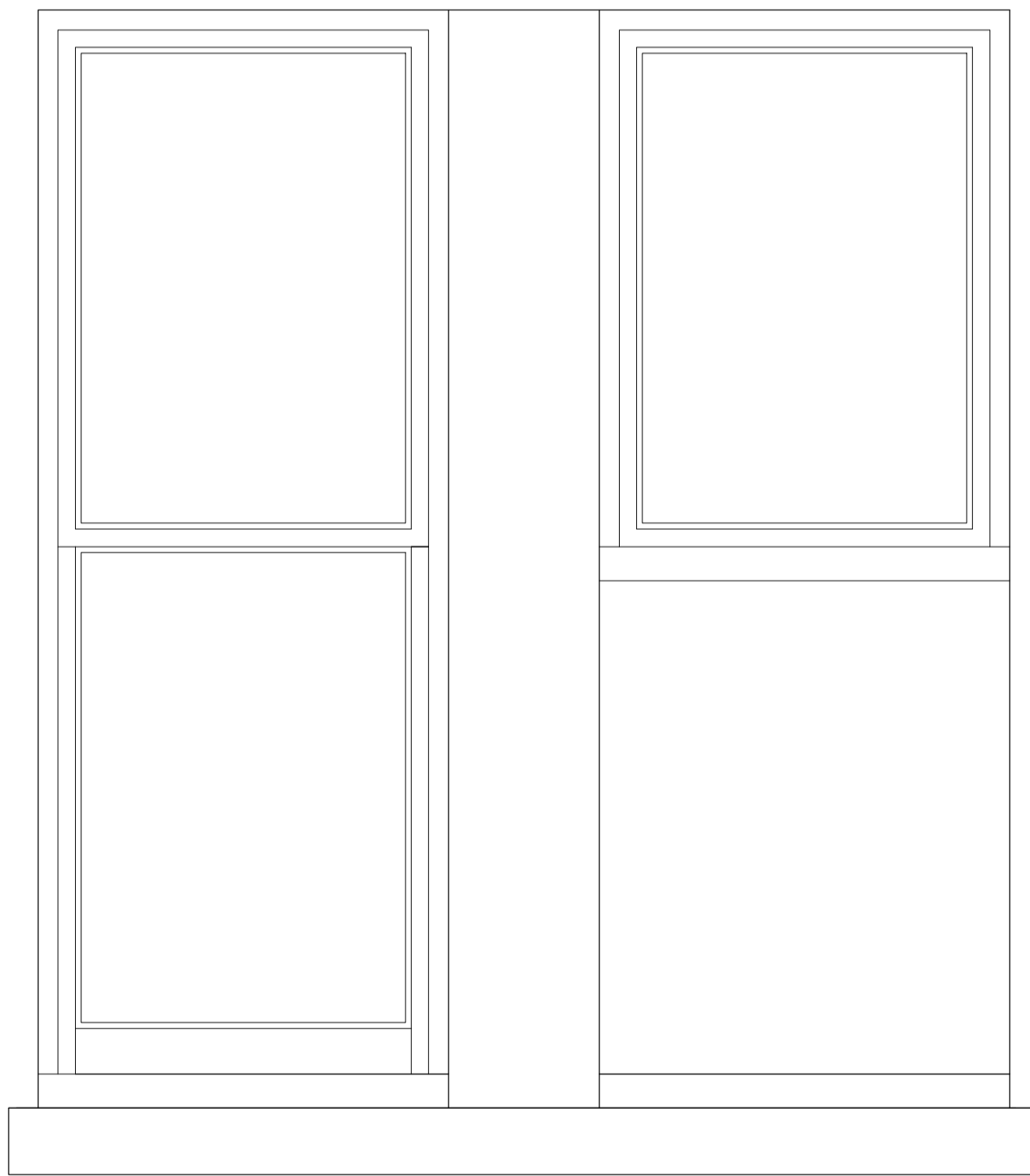
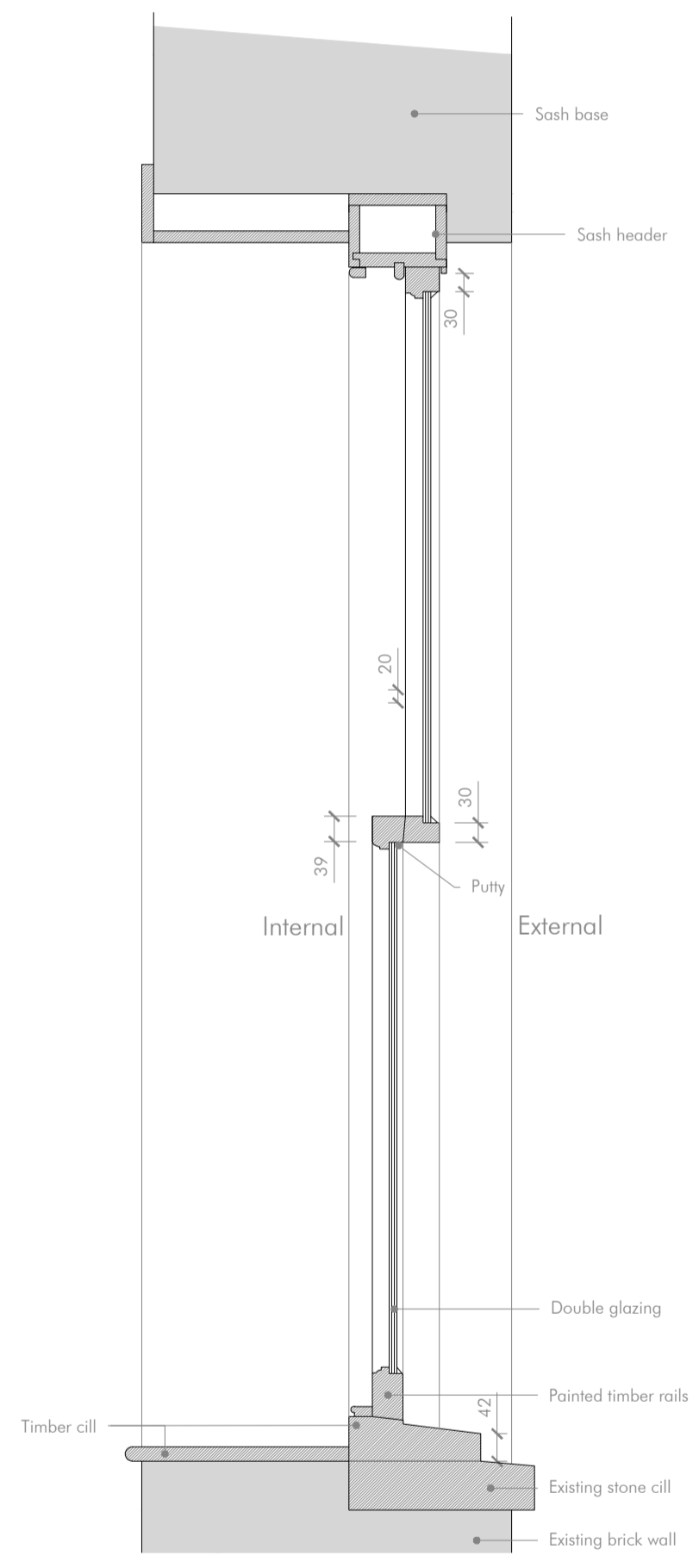


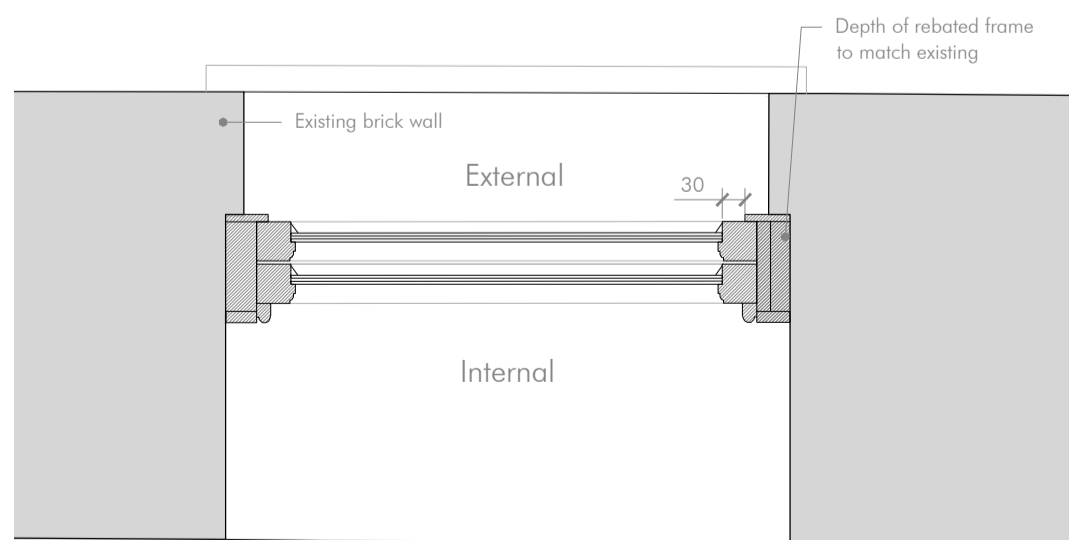
Internal Elevation



External Elevation



Sectional View - Window Head and Cill



Plan View - 1:10

1:10 0mm 0.1m 0.2mm 0.5m
 1:1 0mm 10mm 20mm 50mm