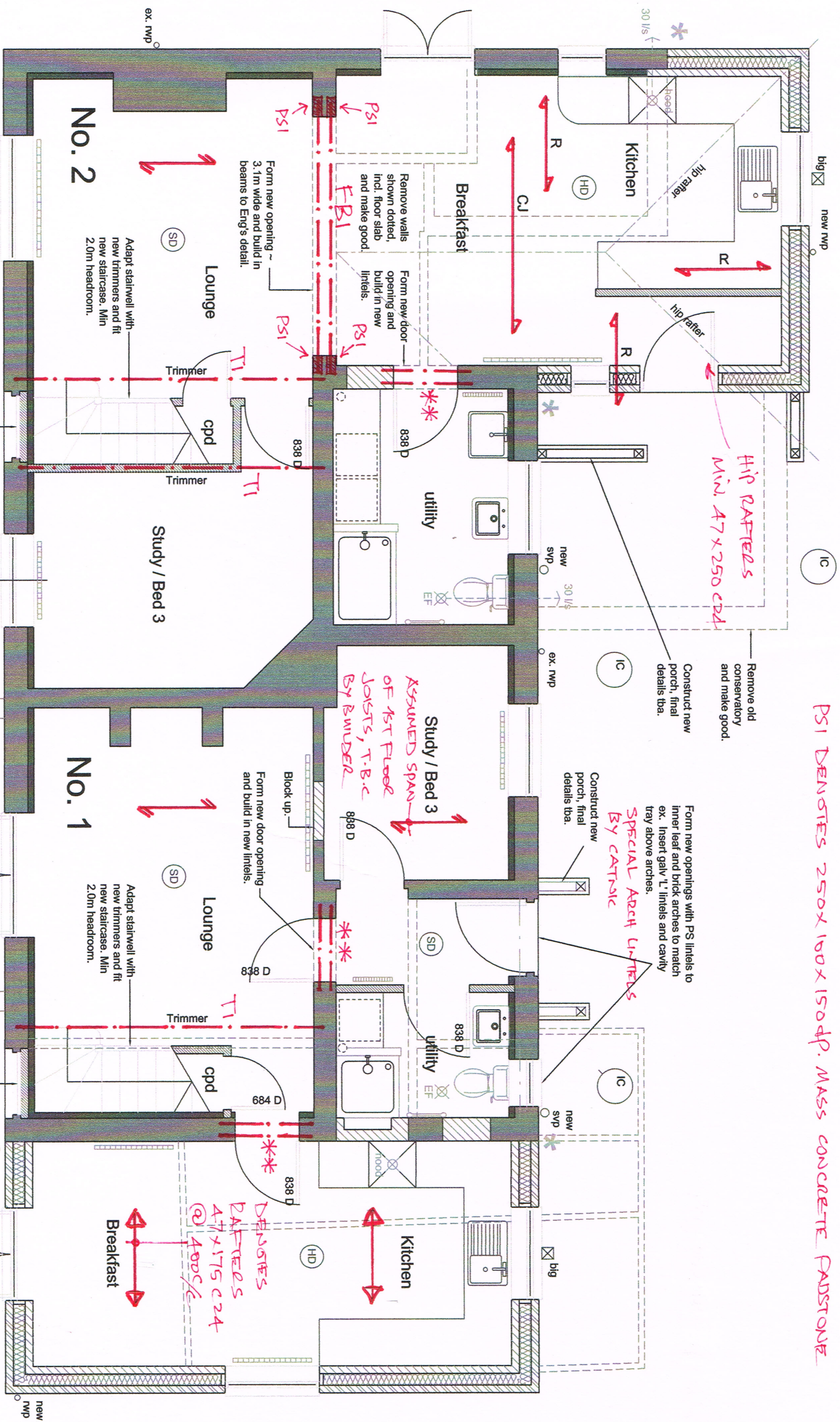
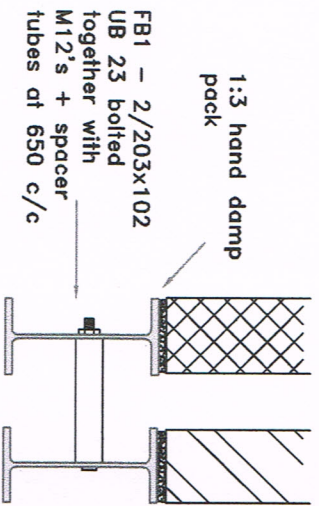


FBI - 2 NO. 203 x 102 UB 23 BOLTED TOGETHER WITH M12s + SPACER TUBES @ 650%
 TI - 3 NO. 47 x 200 C24 BOLTED TOGETHER WITH M12s @ 400% OP USE 152 x 89 UB16

← DENOTES CEILING JOISTS, 47 x 175 C24 @ 400% (CS) RAFTERS, 47 x 125 C24 @ 400% (R)
 * DENOTES CLASSIC BOX LITTEL BSD100 OR 100 x 140 DP. PRESTRESSED CONCRETE BEAM LITTEL BY DAYLON CONCRETE OR SIMILAN APPROVED
 PSI DENOTES 250 x 100 x 150 DP. MASS CONCRETE PADSTONE



Proposed Ground Floor Plan
 (SHOWING STRUCTURE OVER)



Section Thro' FB1
(twin beam)

All bolts grade 8.8