

IMAGE



SPECIFICATIONS

- Model: Daikin RXYSCQ4TV1
- Number of Units:1
- Dimensions: 520mm (D)
940mm (W)
823mm (H)
- Case Colour: Daikin White
- Sound Pressure Level: 1dB(A) @ 1m

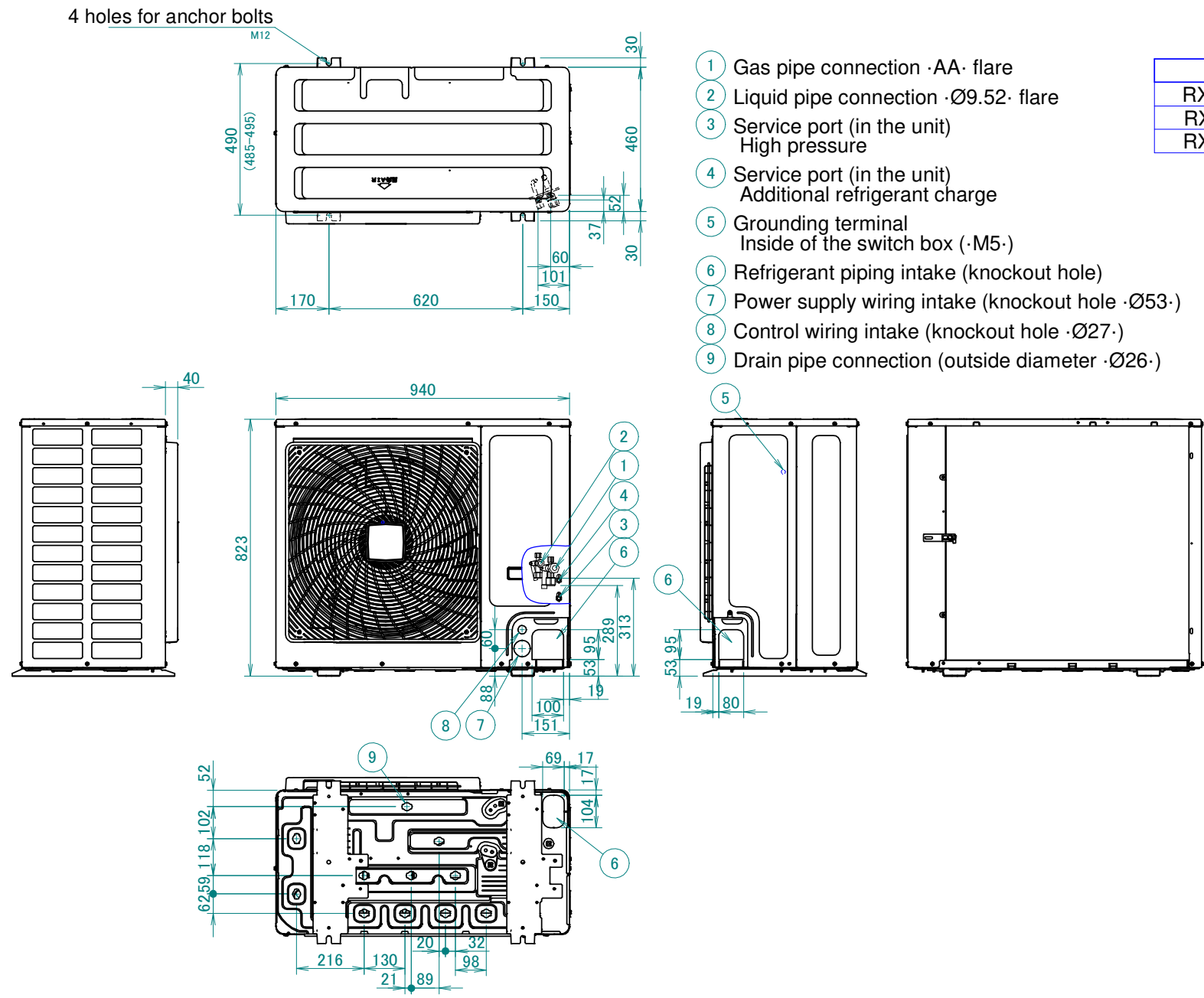
Timber Surround

The External AC Condenser will have a timber surround. The image below is an example only of a timber surround, final design tbc.

*Image Source:
www.gardentrellis.co.uk*

DIMENSIONAL DRAWING (NOT TO SCALE)

RXYSCQ-TV1



- ① Gas pipe connection ·AA· flare
- ② Liquid pipe connection ·Ø9.52· flare
- ③ Service port (in the unit)
High pressure
- ④ Service port (in the unit)
Additional refrigerant charge
- ⑤ Grounding terminal
Inside of the switch box (·M5·)
- ⑥ Refrigerant piping intake (knockout hole)
- ⑦ Power supply wiring intake (knockout hole ·Ø53·)
- ⑧ Control wiring intake (knockout hole ·Ø27·)
- ⑨ Drain pipe connection (outside diameter ·Ø26·)

Model	AA
RXYSCQ4TMV1B	Ø15.9
RXYSCQ5TMV1B	Ø15.9
RXYSCQ6TMV1B	Ø19.1

3D098107A

NOTE: ALL THE INFORMATION IN THIS DRAWING HAS BEEN PROVIDED BY THE SUPPLIERS.

- Notes
- All contents copyright.
 - Do not scale.
 - Based on survey by others.
 - Contractor to verify all dimensions on site.
 - Read in conjunction with all relevant Architect's, Consultant's & Supplier's information.
 - Report any discrepancies to the Architect.

Project	Alterations & Refurbishments at 33 Litchfield Way, London, NW11 6NS	Neil Kahawatte Architects
Drawing	Air Conditioning Unit As Proposed	Studio 36 Archway Studios Bickerton House 25-27 Bickerton Road London, N19 5JT
Number	2311_C014	Status Information
Scale	NTS @ A3	Drawn SÓT
Date	21/03/2024	Checked FMS

020 7360 5330
mail@neilkahawatte.com
Company Number: 8530938