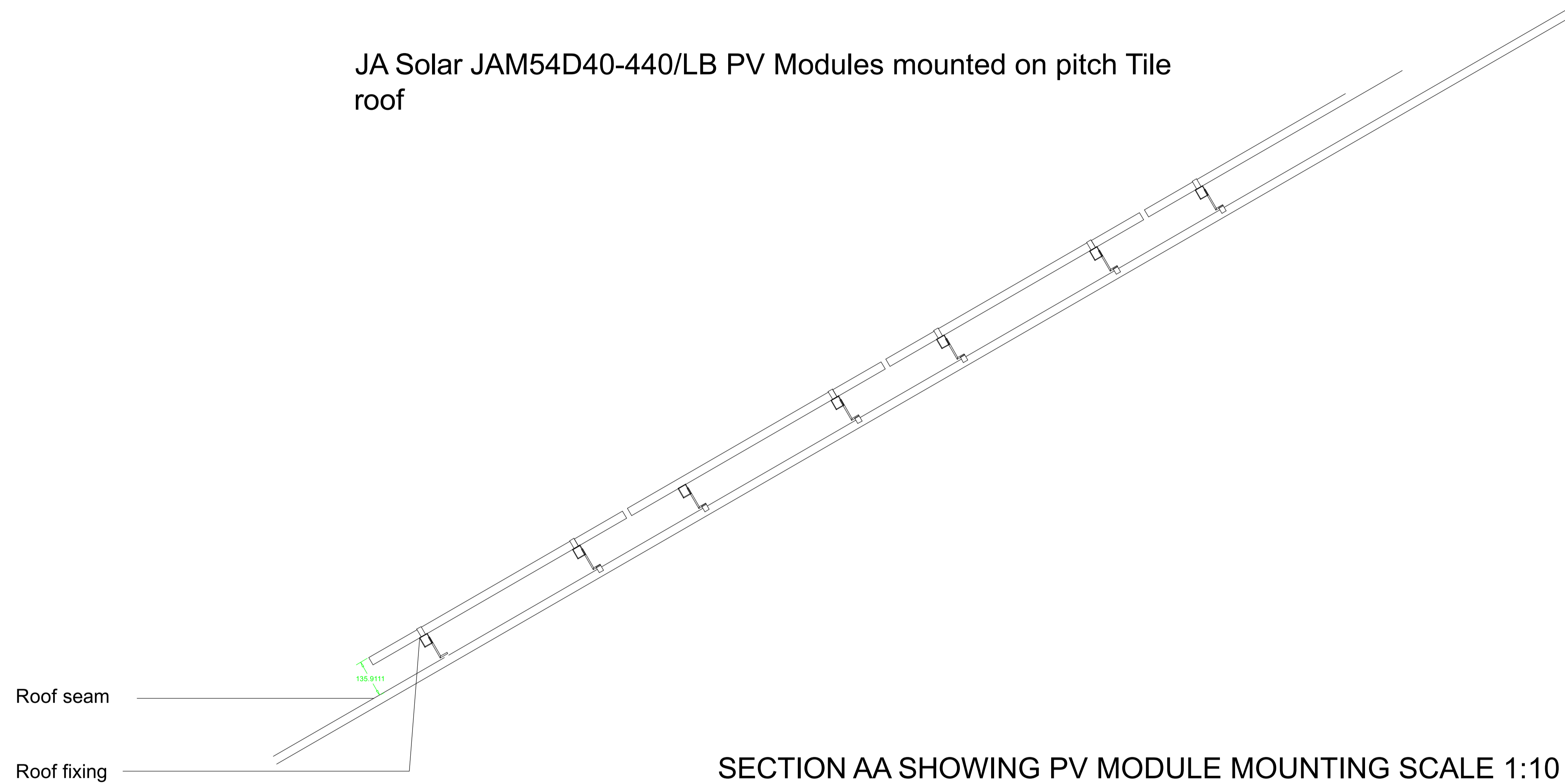


JA Solar JAM54D40-440/LB PV Modules mounted on pitch Tile roof



SECTION AA SHOWING PV MODULE MOUNTING SCALE 1:10

General Notes

All works to comply with The Town and Country Planning (General Permitted Development) (England) Order 2015 for class J installations.

No.	Revision/Issue	Date
V0	DRAWN	26/3/24

Firm Name and Address
eEnergy Services UK Ltd 20 St Thomas Street London SE1 9RS

Project Name and Address
Solar PV installation Cambridge Lea Hospital, 30 New Road, Impington, Cambridge, CB24 9EL

Drawing Title
Section Drawing

Project	Sheet
Date 26/3/24	
Scale 1:10 @ A1	