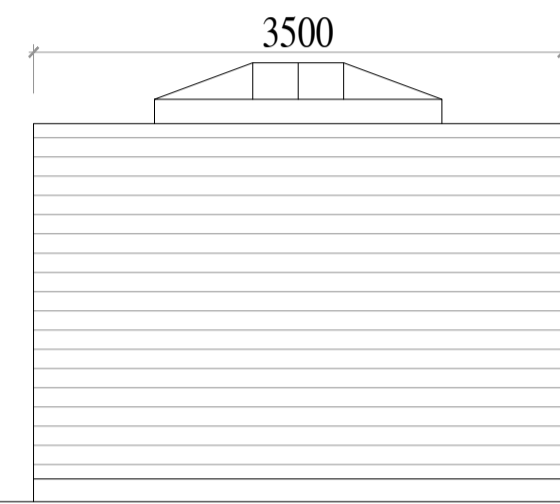


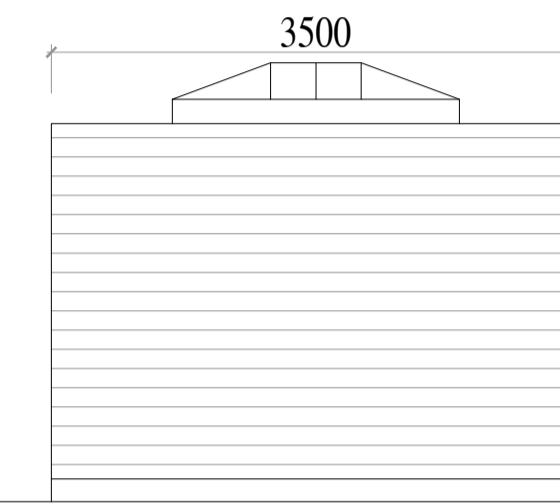
1 PROPOSED REAR ELEVATION
scale: 1:50 @A1



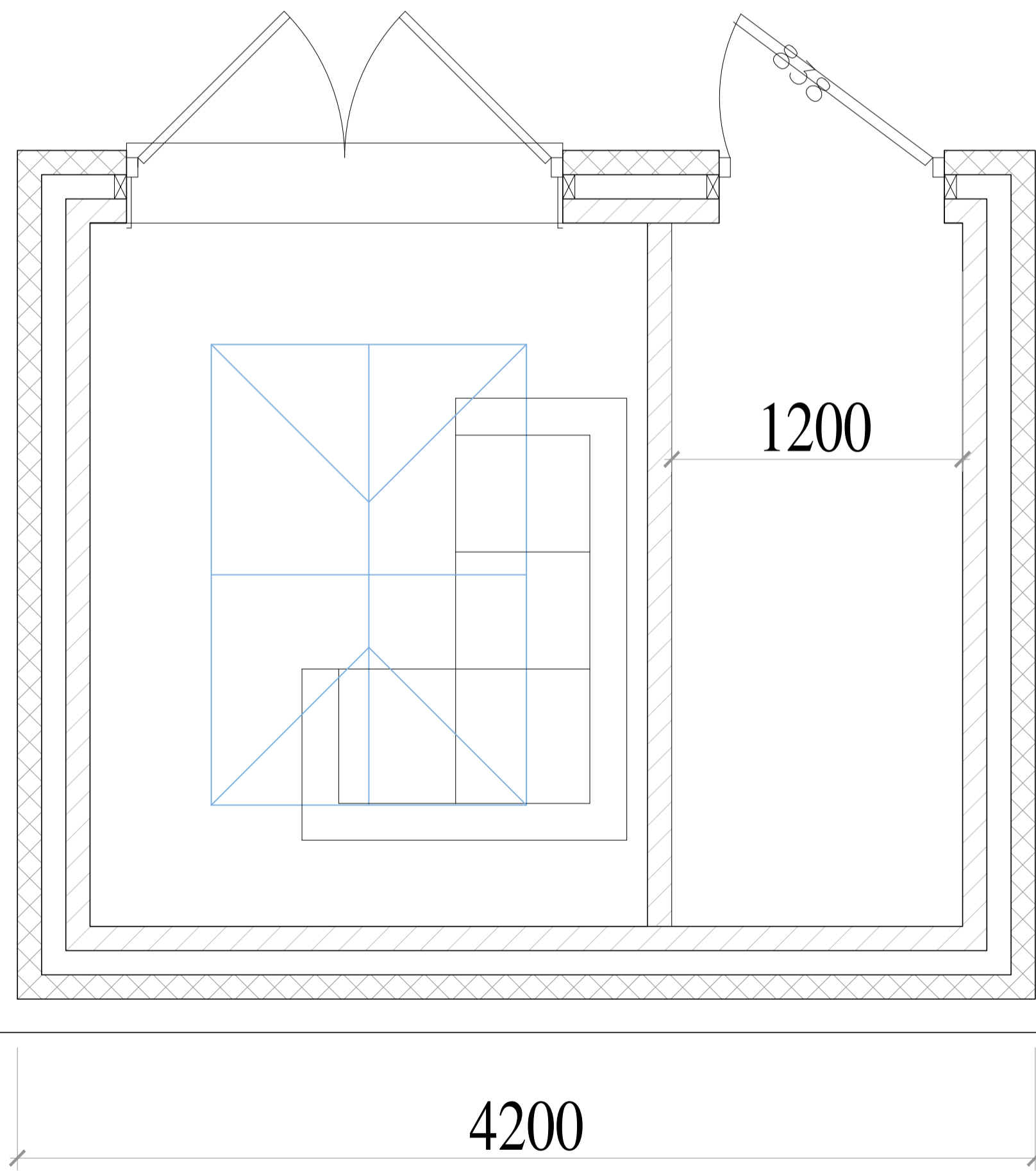
2 PROPOSED SIDE ELEVATION
scale: 1:50 @A1



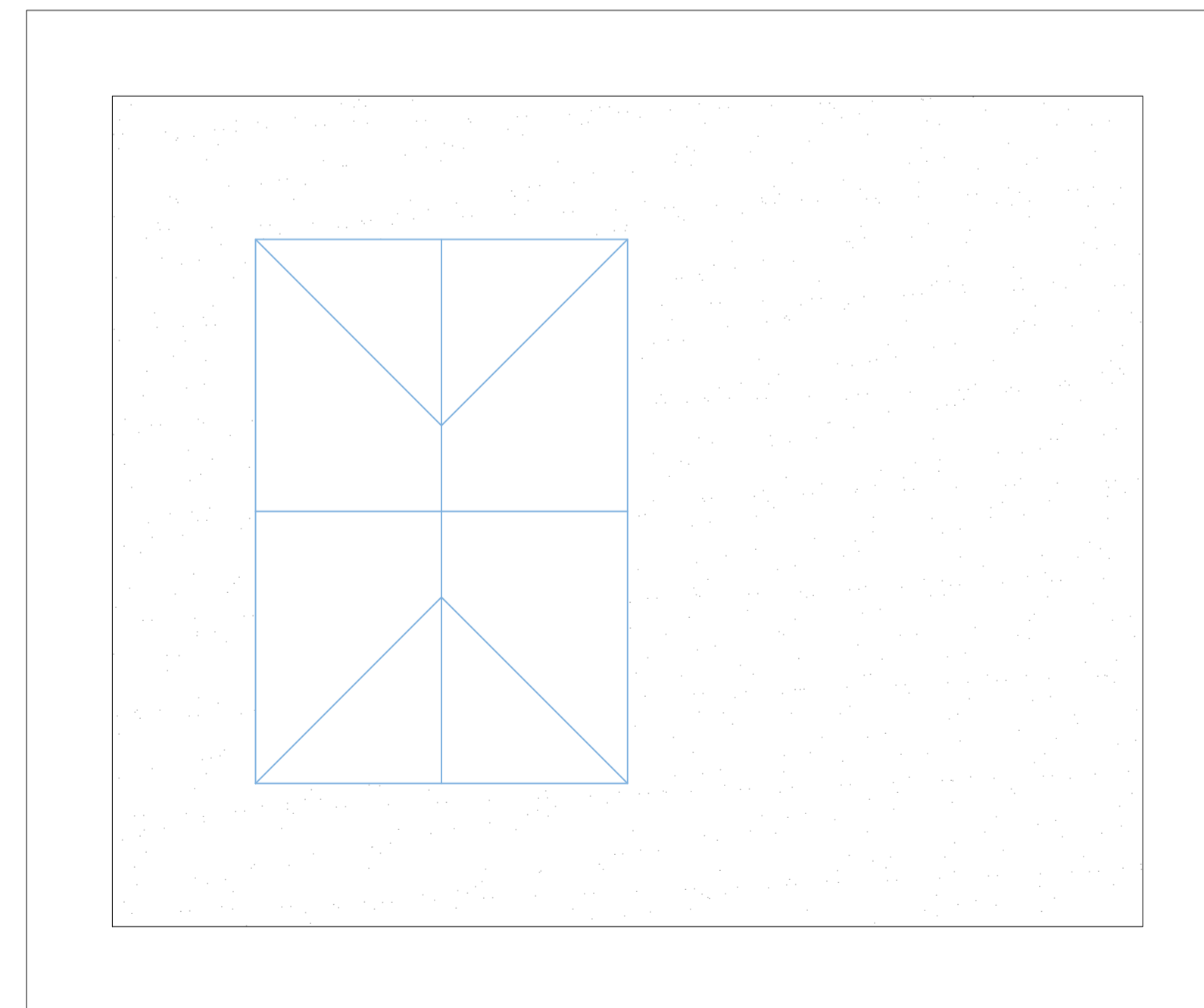
3 PROPOSED FRONT ELEVATION
scale: 1:50 @A1



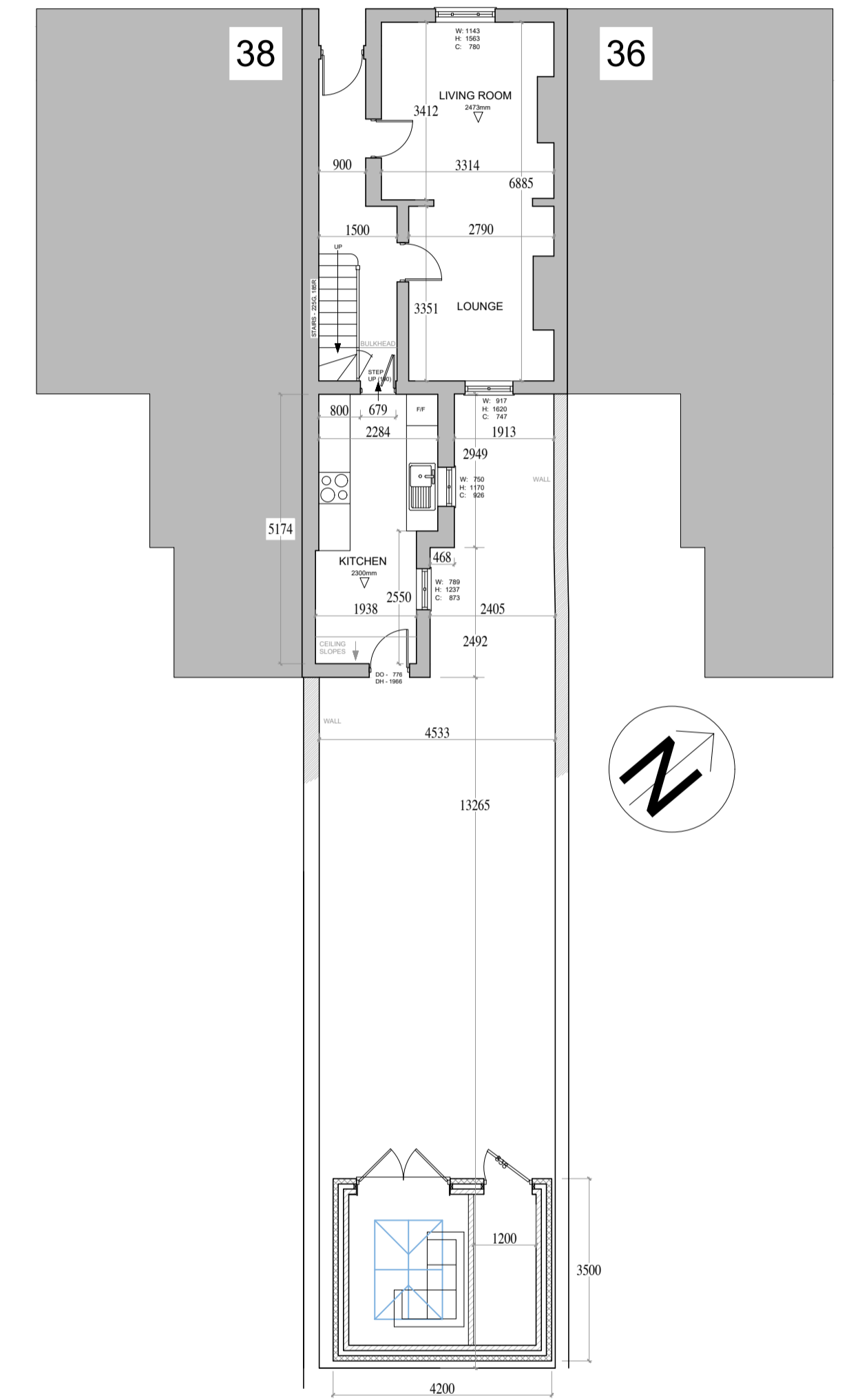
4 PROPOSED SIDE ELEVATION
scale: 1:50 @A1



5 PROPOSED FLOOR PLAN
scale: 1:20 @A1



6 PROPOSED ROOF PLAN
scale: 1:20 @A1



1 PROPOSED SITE PLAN
scale: 1:100 @A1

REV	DATE	NOTES	DRAWN BY	CHECKED BY
CAD file location				
DO NOT SCALE FROM THIS DRAWING IN EITHER PAPER OR DIGITAL FORM © CHRISTOPHER DAVID DESIGN. THE COPYRIGHT IN ANY DRAWINGS AND OTHER MATERIAL PRODUCED BY OR UNDER THE CONTROL OF OR OTHERWISE IN CONNECTION WITH THE USE OF OUR COPYRIGHT MATERIALS IS GIVEN ON WRITING-PAPER OR OTHER MATERIALS AND SHALL REMAIN THE PROPERTY OF CHRISTOPHER DAVID DESIGN. THIS PROJECT IS ONLY IN RELATION TO THE PROJECT FOR WHICH WE HAVE BEEN PAID BY YOU. THIS DRAWING IS TO BE READ WITH ALL OTHER RELEVANT DRAWINGS AND SPECIFICATIONS ANY DISCREPANCIES TO BE BROUGHT TO THE ATTENTION OF THE DESIGNER.				
PLANNING ISSUE				
37 Tangler Lane, Eton, Windsor SL4 6AZ			1:100 @ A1	
PROPOSED OUTBUILDING			522 / 4001	/

CHRISTOPHER DAVID
DESIGN

SURREY & WEST LONDON T.020 3916 5532 CHRISTOPHER-DAVID.CO.UK

