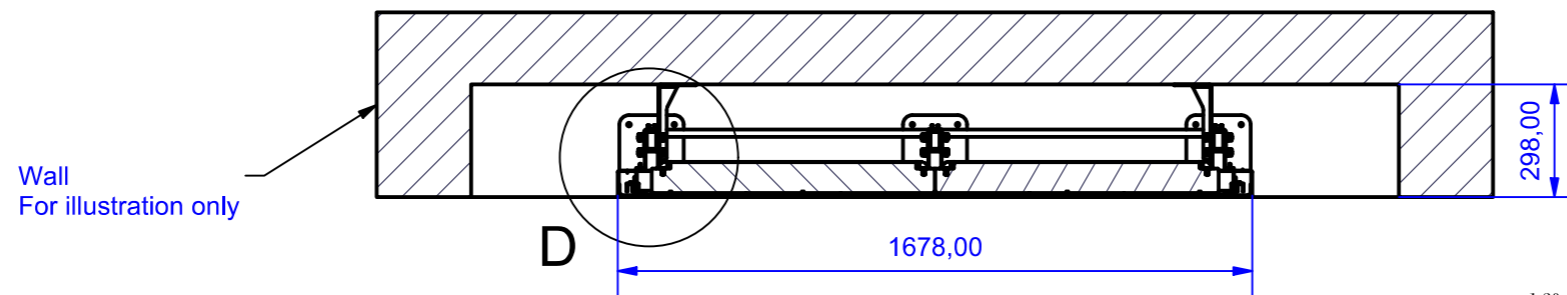


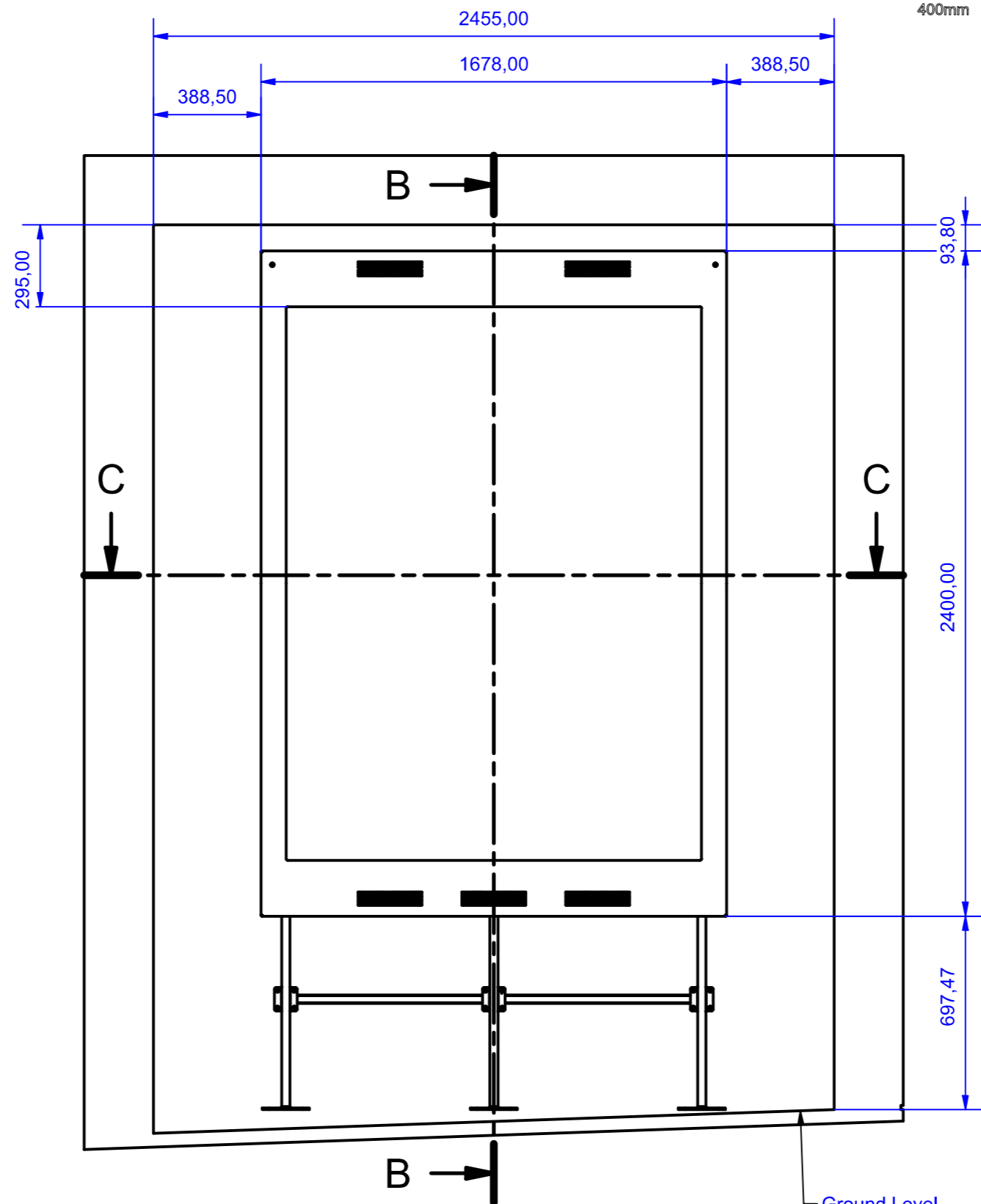
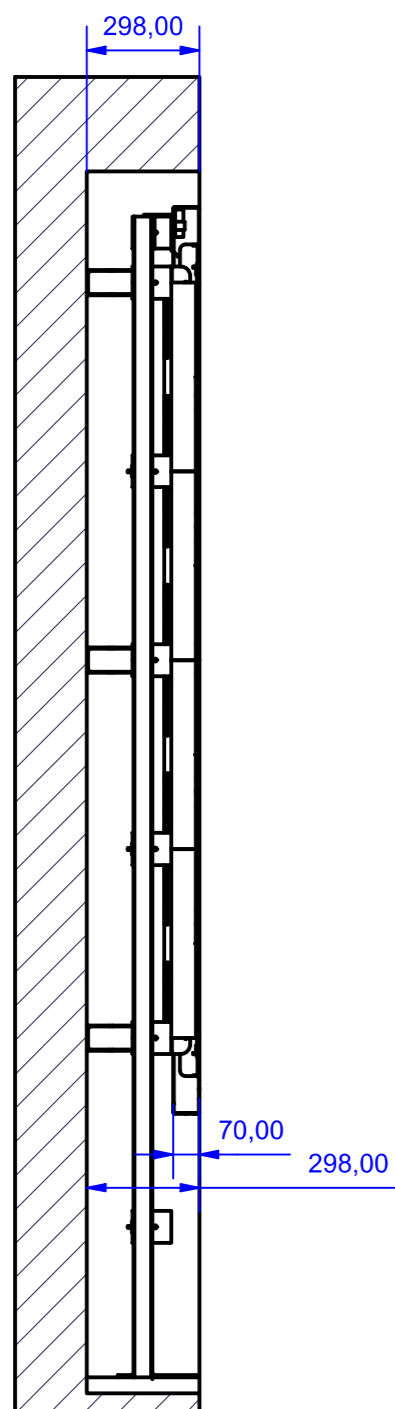
C-C (.05)



1:20 @ A3



B-B (.05)



D (1 : 10)

