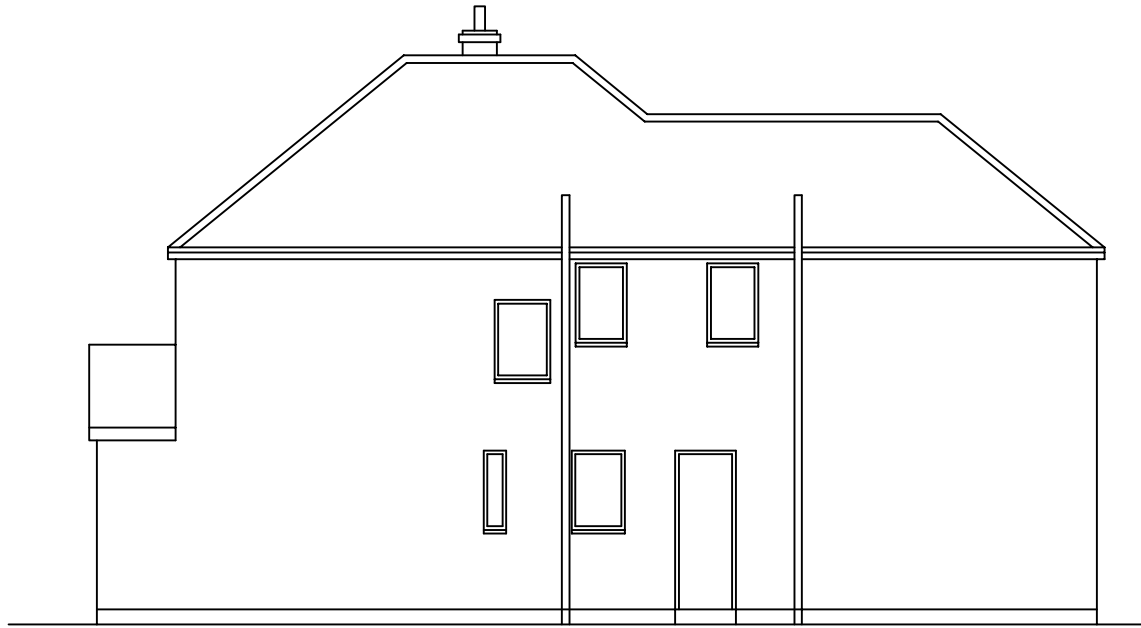
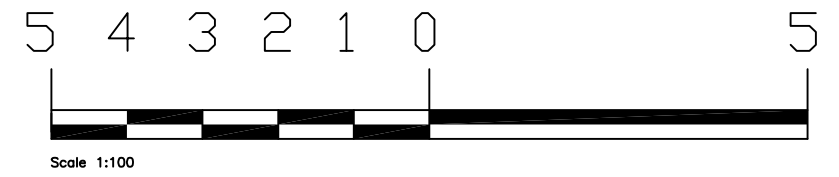
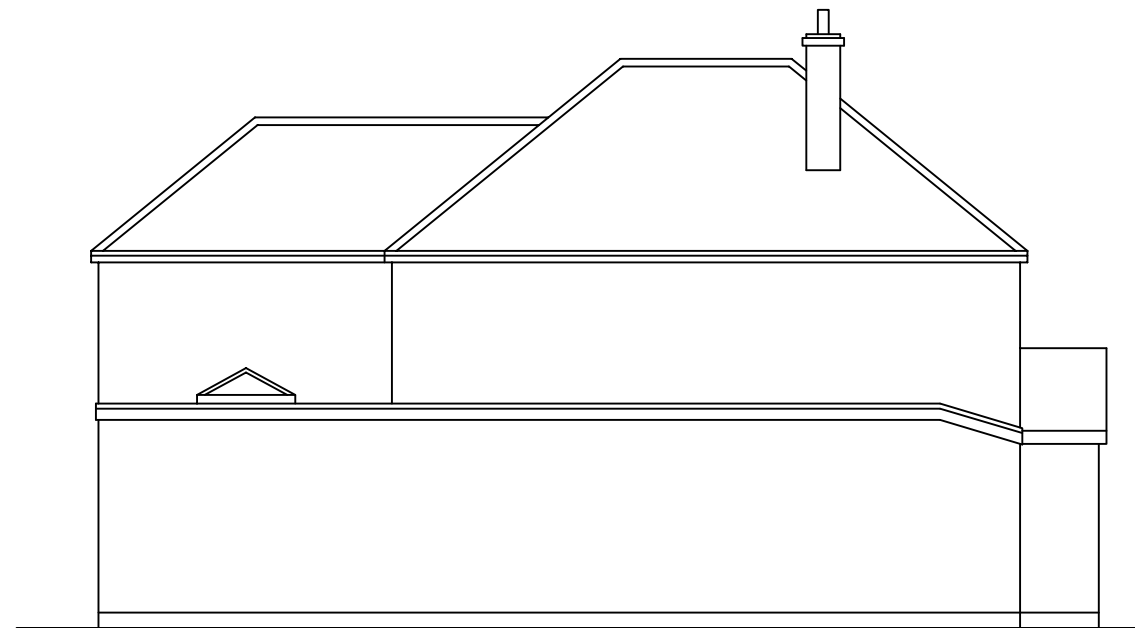


Studio Charrette will not be responsible for any principal designer duties under CDM 2015.
 No site work is to be carried out until permissions are in place. Site searches to be carried out before any works to site.
 All structural elemental/associated calculations to be confirmed and provided by structural engineer.



NW - Side Elevation, 1:100



SE - Side Elevation, 1:100

NOTES:

This drawing is not a working drawing, and is only for the purpose of the following:-
 A- Planning Submission
 The main contractor is responsible for informing the lead designer of any discrepancy on, or between, this drawing and any other relevant document.
 All existing walls, foundations and lintels or other structural items are to be confirmed load bearing and adequate for increased loading where relevant prior to work commencing.
 Any existing walls to be removed are to be confirmed non-loadbearing prior to removal.
 Boundaries, angles, and dimensions are to be checked by the main contractor prior to work commencing.
 Written dimensions only to be used from this drawing. If in doubt consult the lead designer for clarification.



SW - rear Elevation, 1:100



NE - Front Elevation, 1:100

STUDIO CHARRETTE

A: The Clubhouse, 50 Grosvenor Hill, London, W1K 3QT
 W: www.studiocharrette.co.uk

Client

Sukaina Hirji

Project Title
2 Brookdene Avenue,
Watford WD9 5BD

Drawing Title
 Proposed new dwelling house

Existing elevations

Drawing No. SC / 23 / 143 - 102	Rev
Scale 1:100 @ A3	Date - Nov 2023
Created By A Mc	Planning
Check By	Bulkling Control
	Client
	Sketch
	Information

This drawing and the copyright, design rights and all other intellectual property rights in it belong to Studio Charrette Ltd. No licence or assignment of any such rights is granted hereunder. This drawing is not to be copied or divulged to a third party without written permission.