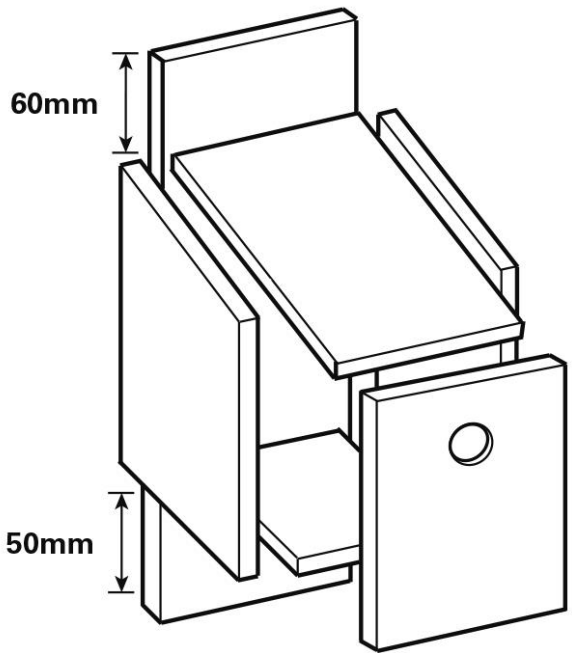
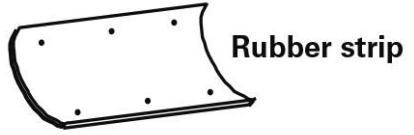
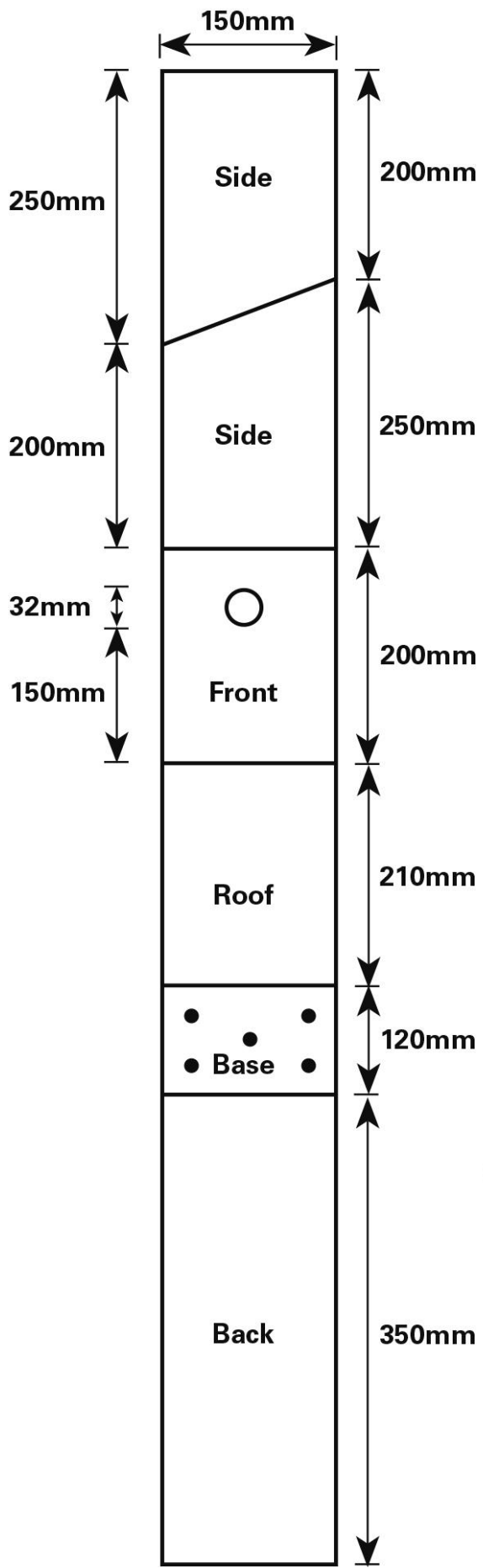


Step-by-step sparrow nest box guide



1. **Make sure you have a suitable place for your nestbox.** Ideally, it will be under the eaves of your house or high on a wall, and make sure you permission if you need it.

The box will need to be at least 3m (10 feet) from the ground, facing somewhere between north and east to avoid it getting too hot or wet. Avoid placing it in direct sunlight and don't put it over a doorway or well-used path.

2. **Make sure you have the right wood.** The thickness is important to insulate the box from cold and heat and to stop the box warping). You can use exterior-quality plywood (for a light box) or, for something more sturdy, hardwoods (such as oak and beech) or soft wood (such as pine, but this will deteriorate more quickly). Buy timber approved by the Forest Stewardship Council – look for the FSC logo.

3. **Measure and cut your wood** according to the diagram.

***Note:** the dimensions shown are for 15mm thick wood. If your wood is different to that, the dimensions of the Base should be 150mm by 150mm minus 2 x thickness of the wood, eg if the wood is 18mm thick, the base should be 150mm x 114mm.*

If you don't have the special drill bit for making the 3.2cm round hole, you can use a jigsaw to cut a square or wedge-shaped hole at the top of the front, as in the diagram.



4. **Nail all the pieces, except the roof, together.** The sides, back and front 'wrap around' the base.

5. **Attach the roof.** By using screws, you'll be able to get into the box at a later stage to clean it out. Use a waterproof strip to make a hinge between the top edge of the roof and the backing board. Try a piece of bicycle tyre inner tube, damp-proof membrane or roofing felt.

6. **Put your box up.** Drill guide holes in the backing plate at the top and bottom of the box. Taking care, fix the box to a wall using a ladder, screws and Rawlplugs.

7. **What to look for.** Sparrows will start house hunting in spring. There is never a guarantee of using your box, but if you're lucky you should see the males proudly chirping from nearby, or even from the roof of the box. Sparrows are sensitive to disturbance at the nest and protected by

law. So watch and enjoy from a distance. You may be lucky to see them raising several broods in there in a season.

