

Appendix: The Kent bat box (D.I.Y. instructions)

Design and measurements

Simple to construct, self-cleaning and low maintenance, the Kent bat box (designed by the Kent Bat Group) is a great way to encourage bats in your garden or your green space. The box should be rainproof and draught-free.

The only critical measurement is the width of the crevices: between 15-25mm. Other measurements are approximate. Timber should be approximately 20mm thick.

Measurements for one Kent bat box kit would be as follows:

Part	Quantity	Size (mm)
Roof (A)	1	x 160 x 20
Back (B)	1	x 200 x 20
Centre (C)	1	x 200 x 20
Front (D)	1	x 200 x 20
Centre Rails (E)	2	x 20 x 20
Front Rails (F)	2	x 15 x 15
Stand-offs (optional)	2	x 20 x 20

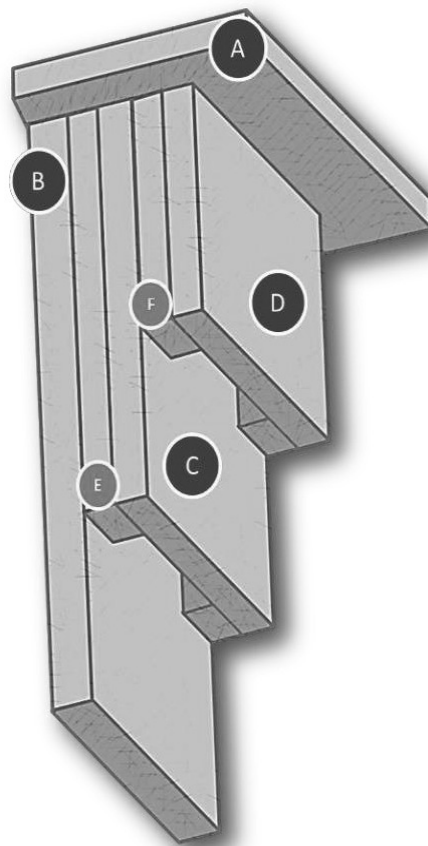
Material and Tools

This kit requires approximately 1.6m of rough wood and 25 screws (8 x 1 ½ inches) to assemble. You can rough it up by scraping with a suitable tool – possibly a saw blade or even a screwdriver but make sure you use untreated wood as some preservative chemicals can kill bats.

Pre-drill the holes to prevent the wood splitting. Alternatively you can assemble your bat box kit with nails although they tend to be less robust than boxes made with screws.

The hanging screws may either be at the edges of the front panel or in the side centre block (not in the rails!). Fixing may be by use of brackets, durable nylon cord or wires.

When installing the box, assess the risks of working at height, use the appropriate fittings and assess where the box will be located, in relation to any public access. Regular checks should be made to ensure the box remains securely fitted, especially after high winds.



Photos and illustrations in this document by the Bat Conservation Trust unless otherwise stated.

The Bat Conservation Trust (known as BCT) is a registered charity in England and Wales (1012361) and in Scotland(SC040116).

Registered office: Quadrant House, 250 Kennington Lane, London SE11 5RD

Email: enquiries@bats.org.uk

National Bat Helpline: 0345 1300 228