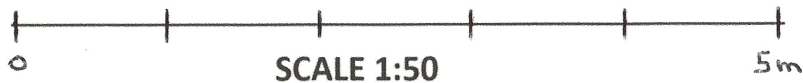
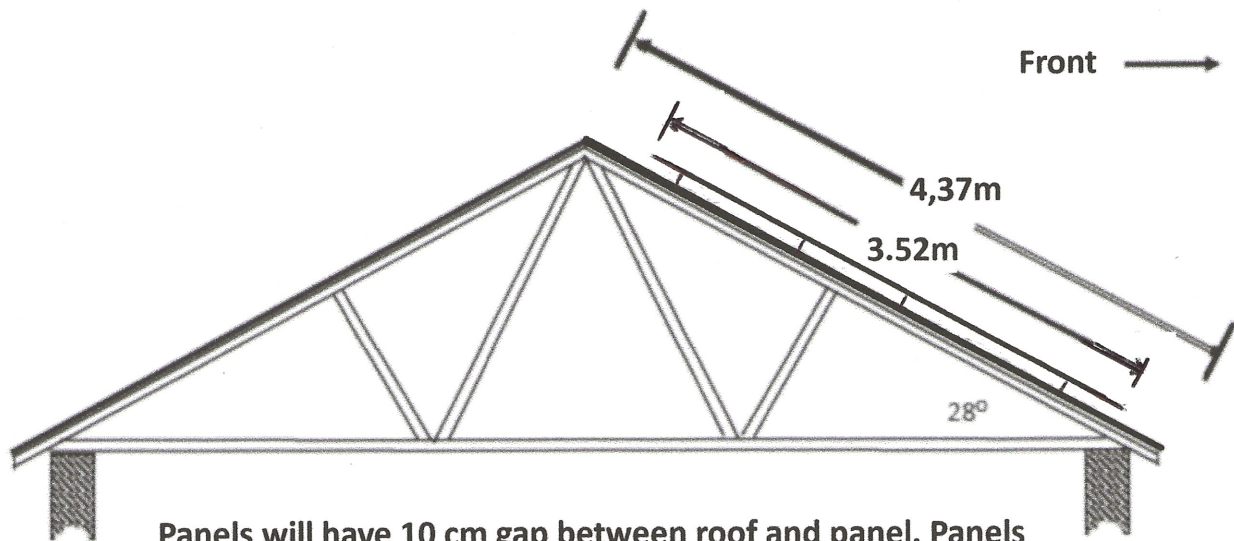


Cross section side elevation of roof



Solar Panels Description

Name :- Jinko Tiger Neo N-Type All Black Mono

Colour :- Black

Size :- Each panel 1.762m x 1.134m x 0.030m
Total size of array 7.938m x 3.524m

Power :- Each panel output is 435 watts
Total possible output is 6.09 kw