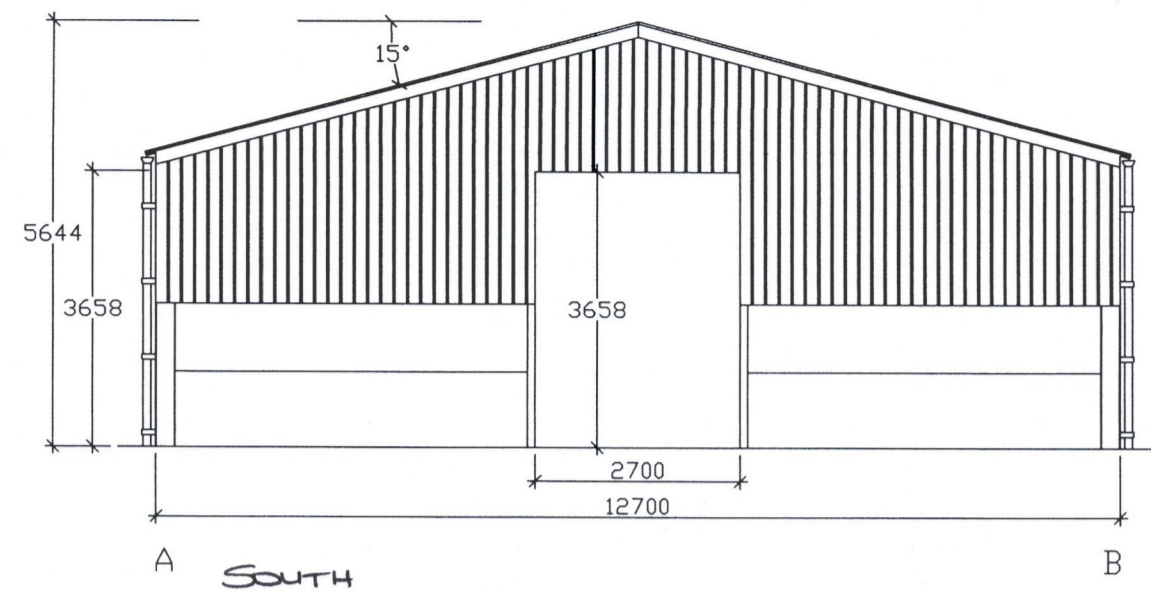
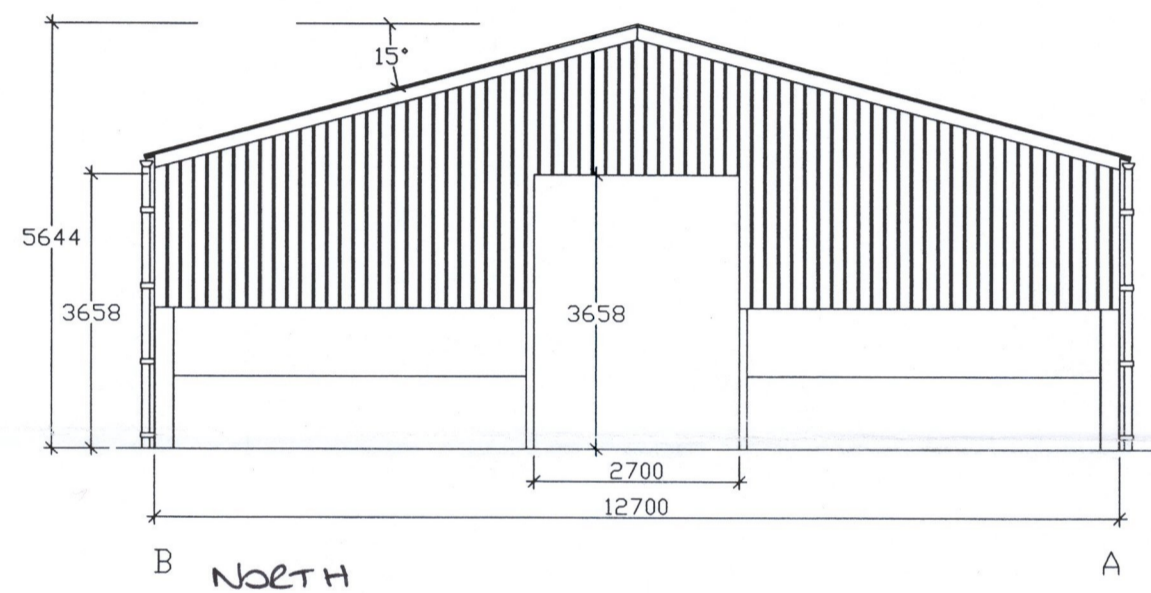


End 2 Elevation (Grid Line 6)



End 1 Elevation (Grid Line 1)



**Specification**

**Size:** 30.000m x 12.700m x 3.658m  
**Main Stanchions:** 254x146x31UB  
**Rafter Size:** 254x102x22UB

**Roof Cladding**

Purlins: 177/16 Galvanised Steel Zed purlins  
Eaves Beams: C24 Grade 225 x 75  
Clad with Profile GR Fibre Cement Sheets  
20No 3.048m GRP Roof Lights

**Rainwater System**

Both sides of building to have 160HR Black PVC guttering  
with 2No 100mm black PVC downpipes

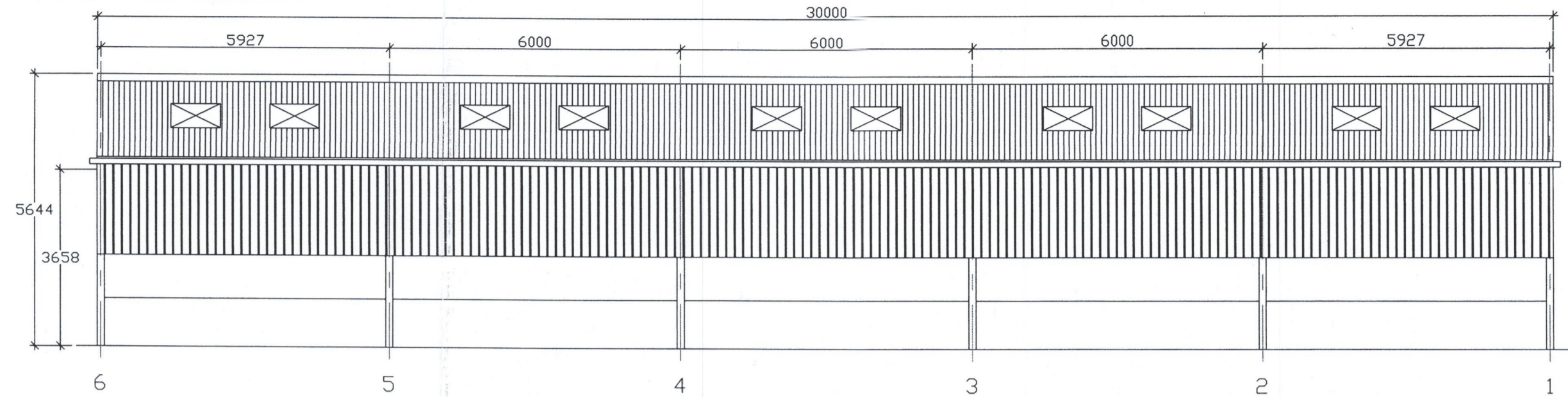
**Side & End Cladding**

Both Gable Ends and Sides to be clad 3.200m below eaves with  
32/1000 box profile sheets / **YORKSHIRE BOARD**

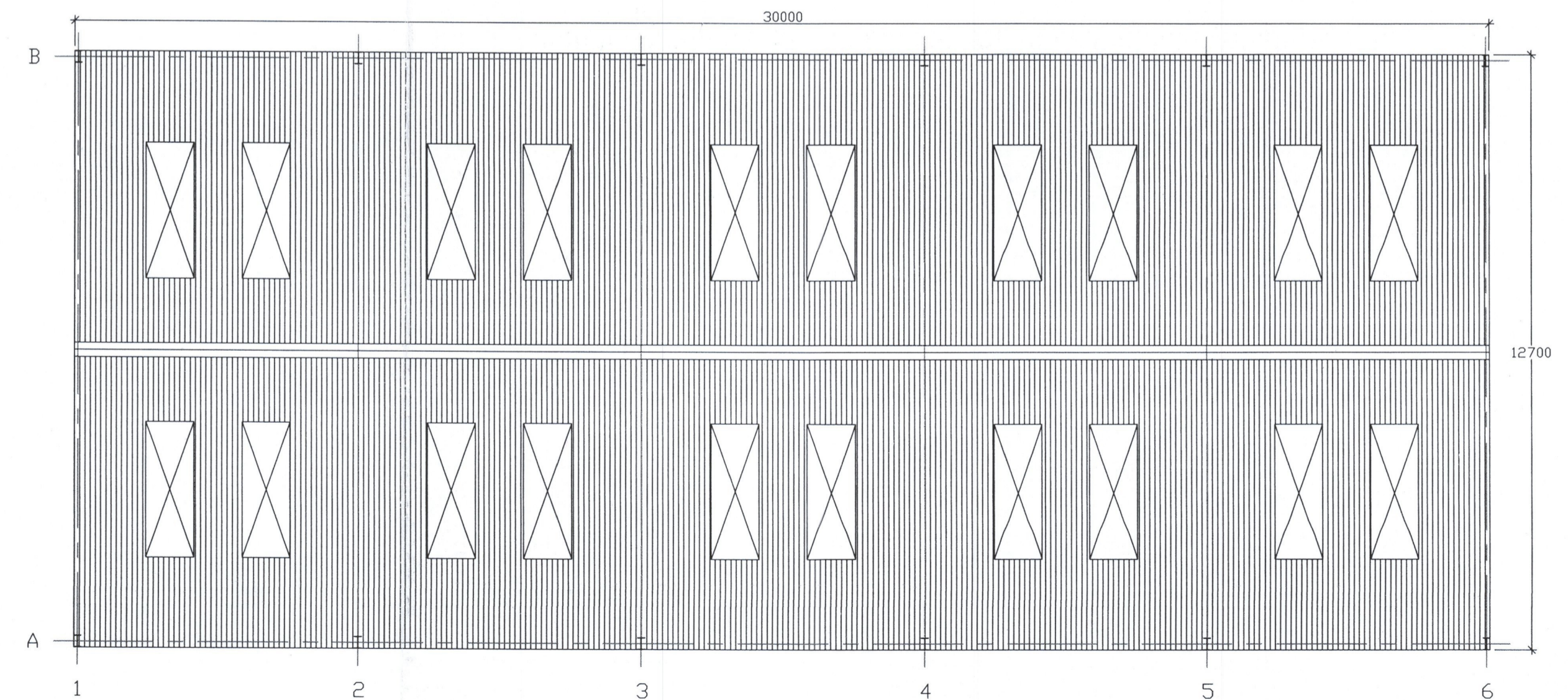
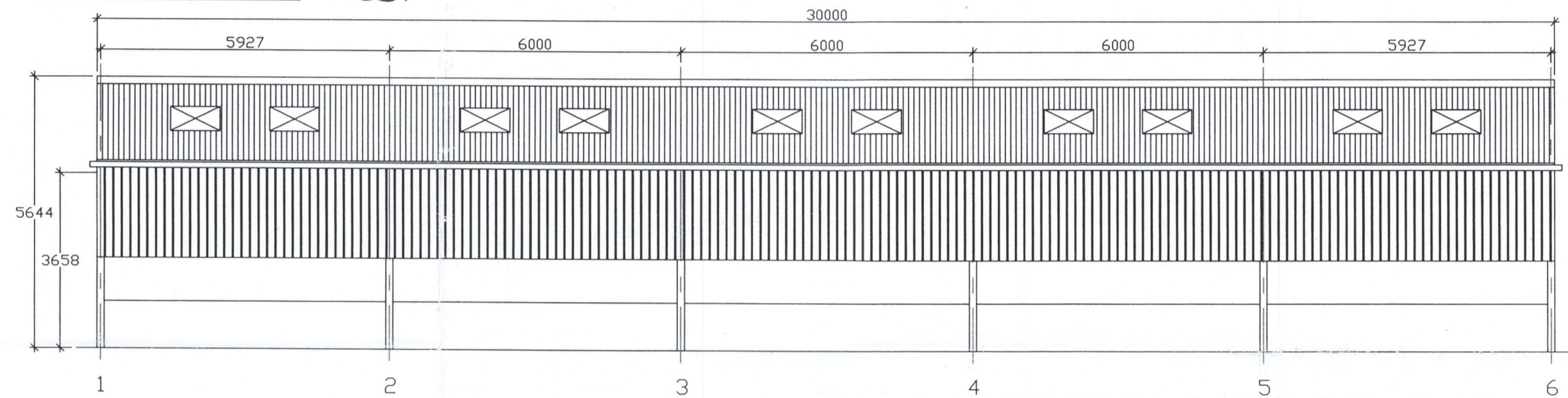
**Concrete Panels**

Both Sides and Gable Ends to have 150mm thick pre-stressed  
concrete panels to a height of 3 metres

**EAST**  
Side 2 Elevation (Grid Line B)



Side 1 Elevation (Grid Line A) **WEST**



|          |   |
|----------|---|
| Client:  | Beverly James   |
| Address: | Rowden Farm<br>Ledburn<br>Leighton Buzzard<br>LU7 0DB |

|  |           |                            |
|--|-----------|----------------------------|
| <p>Paul Huxley Construction<br/>Unit 25<br/>Rednal Ind Est<br/>Oswestry<br/>SY11 4HS<br/>Tel: 01691 649711</p> | Proposed: | Agricultural               |
|  | Size:     | 30.000m x 12.700m x 3.658m |
|  | Drawn By: | RS                         |
|  | Dwg No:   | 0894-15                    |
|  | Date:     | 4/9/15                     |
| Scale:   | 1/100     | Rev:                       |

