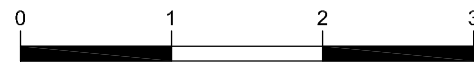
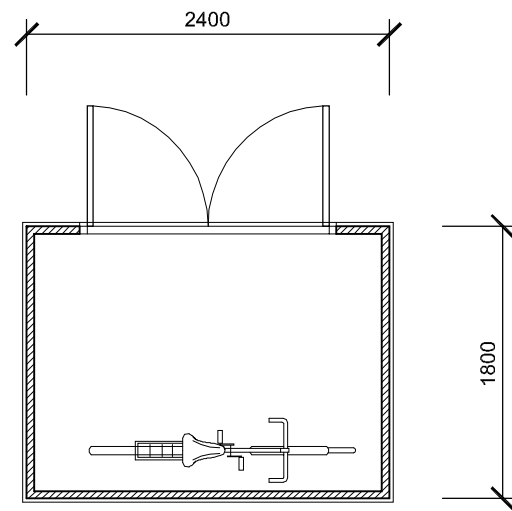


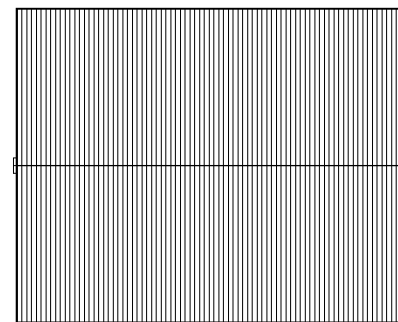
Elevations



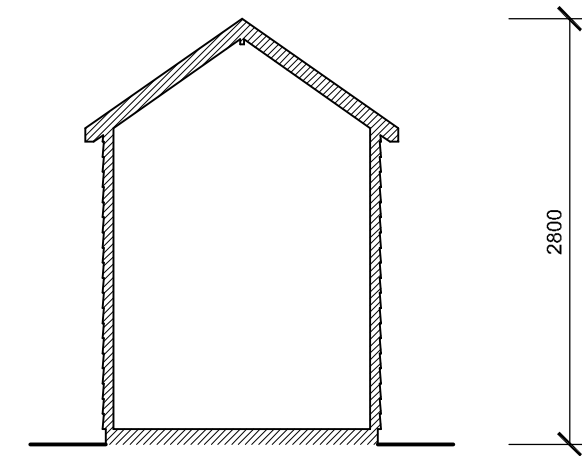
scale 1:50 @ A1 (metres)



Layout



Roofscape



Section

address
 Land adj. Harewarren Farm
 Chalky Lane, Dogmersfield
 Hook, Hampshire, RG27 8TG

drawing
 Timber Shed

Waterstone
 Design Limited
 Kaikoura
 6 Spruce Way
 Fleet
 Hampshire
 GU51 3JB
 Telephone
 01252 616420

scale	As indicated	sheet	A3
date	February 2024		
ref	WSD / 540 - 117	rev	-

rev	date	description