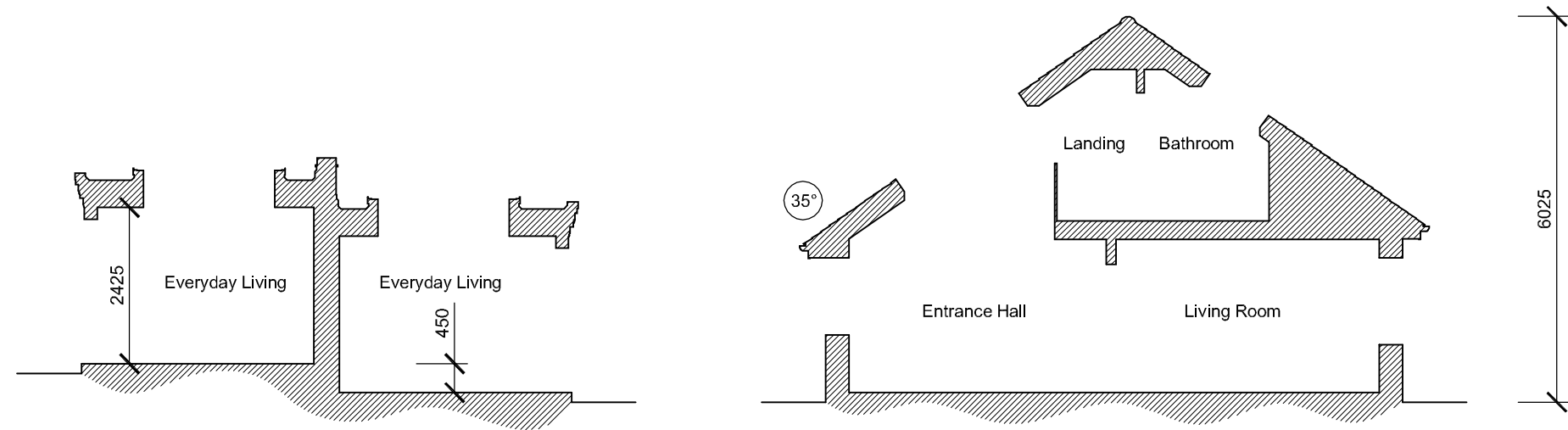


Cross Sections



scale 1:100 @ A3 (metres)



address
 Land adj. Harewarren Farm
 Chalky Lane, Dogmersfield
 Hook, Hampshire, RG27 8TG

drawing
 Plots 5 & 6
 Cross Sections

Waterstone
 Design Limited
 Kaikoura
 6 Spruce Way
 Fleet
 Hampshire
 GU51 3JB
 Telephone
 01252 616420

scale	As indicated	sheet	A3
date	January 2024		
ref	WSD / 540 - 135	rev	-

rev	date	description