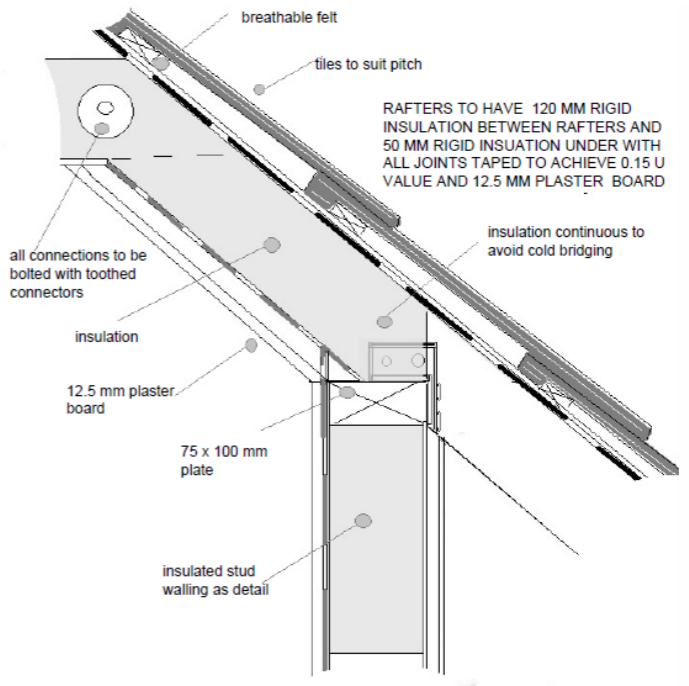


ridge beam to post detail

post beam connection Detail

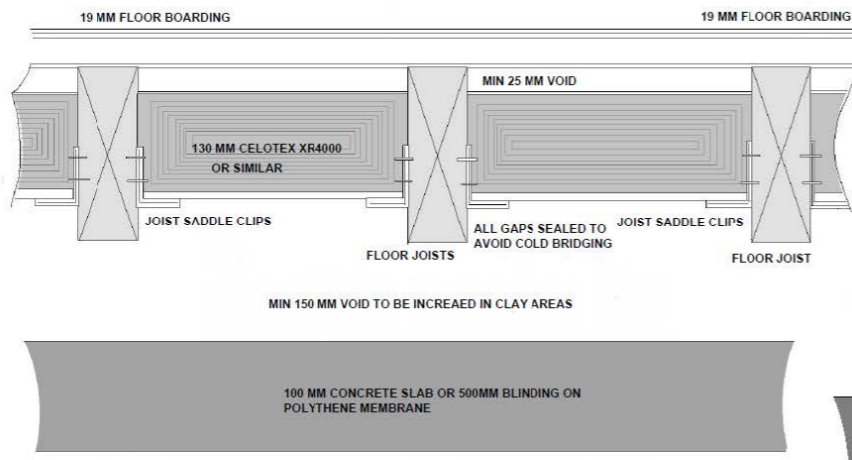


simpson bracket for reference or similar



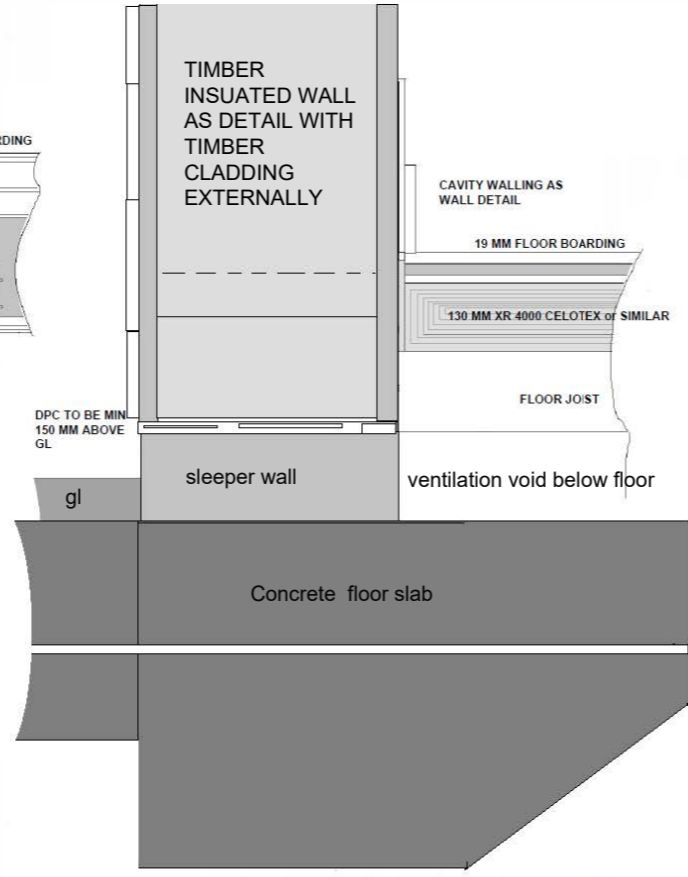
SKEILING DETAIL

levels of insulation to be adopted to suit requirements

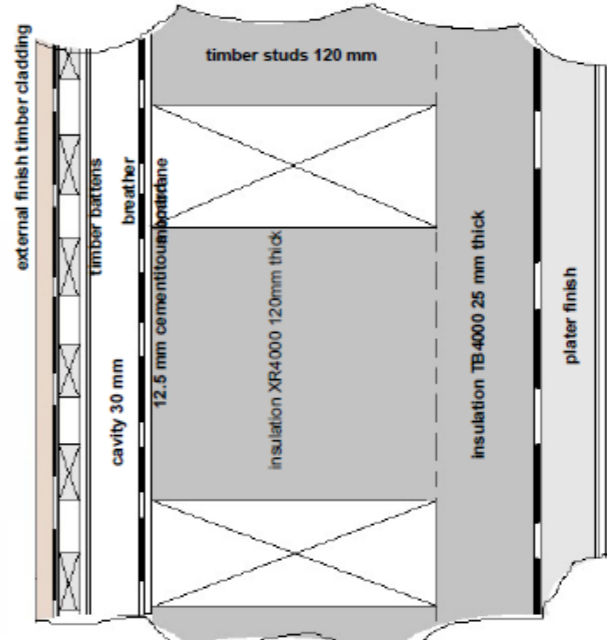


SUSPENDED TIMBER FLOOR DETAIL

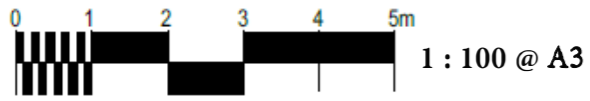
levels of insulation to be adopted to suit requirements



SUSPENDED TIMBER FLOOR DETAIL



TIMBER WALL DETAIL



**SBS**

Surrey Building Services  
 Architectural & Building Consultants  
 James Templeman : 07793433353 Email : surreybuildingservices@gmail.com

Client No.	No.	Revision
11280	09	P

Client Name : Mr R Gould

Address  
 122c Reading Road South  
 Fleet  
 Hants  
 GU52 7TP

Proposal  
 PROPOSED DETACHED GARDEN ROOM

Scale 1:100 1:50

Paper Size A3