

EXISTING SECTION THROUGH LANDING
SCALE 1:5 @A3

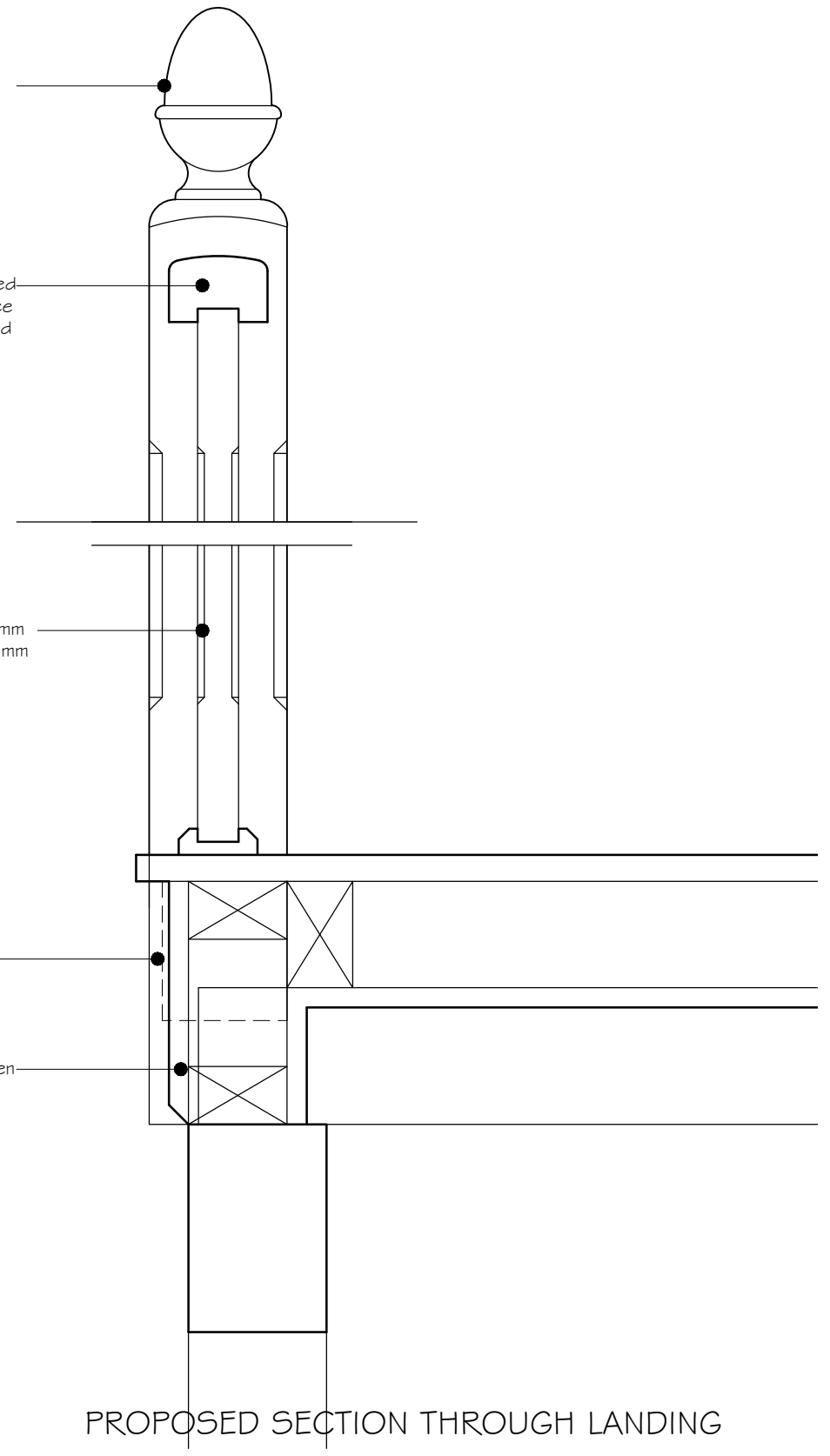
Replace post with 100x100mm oak newel post and acorn finial. post to have 10mm chamfered corners.

Ex 75x50mm oak handrail located 900mm above floor level mortice and tenoned into newel post and secured using oak dowel.

Replace balustrade with 32x32mm plain square oak spindles with 5mm chamfered corners, at 130mm centres

remove false beam

new 75x50mm sw frame between beam and underside of floor boards. Line both sides with Chestnut lathes and cover in lime plaster.



PROPOSED SECTION THROUGH LANDING

LIME TREES
PANKRIDGE STREET
CRONDALL

DATE: March 2023

DRAWING NO. P.5

REV. A

REV. A 12 March 2024 Design amended, notes added