

VMXII.1.LA184.V3.D4D4.W135



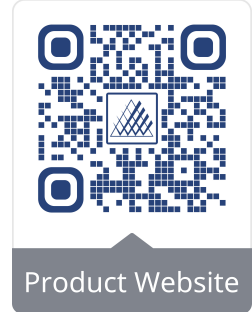
Product image may not represent the final configuration stated above.



The information, data and specifications displayed on this Datasheet are from a partial product configuration. Therefore data may differ from final product supplied.

PRODUCT SPECIFICATION

Holophane V-Max is a state of the art road lighting luminaire. Ultra-low profile design combined with a patented modular chevron light engine concept built in system sizes. High pressure die-cast marine grade LM6 aluminium body, spigot adaptor and chevrons (EN 1706 AC-44100). Extruded 6063-T6 Aluminium spine. Finished with a TGIC-free polyester powder coating. The luminaire shall be sealed to IP69 (IP66 with NEMA or ZD4i socket) and rated to IK07. Suitable for either Post-top or Side-entry mounting with ability to adjust on-site by -10° to +10° tilt in 2.5° increments. Hinged canopy design with integrated locked service position allowing fast and safe installation and maintenance. The canopy has provision for the inclusion of an anti-fall device. CIBSE TM66 (CEAM) Rating: 2.8 - Excellent Circularity. If not supplied with factory fitted flying lead, only use flex cable diameter from 6mm to 13mm. International Dark-Sky Association Approved (colour temperatures 3000K or warmer are approved under the IDA).



This specific SKU includes:

- Series 1
- LED light engine producing c.18,000 lm with a nominal 4000K colour temperature
- 3 LED chevrons
- D4D4 optical setting
- 135W

PERFORMANCE

Drive Current from Driver:	903mA
Power:	135W
Fitting Current:	0.61A
Power Factor:	0.99
Fitting Inrush:	53A - 0.3ms
Number of Drivers:	1
1x Driver 1 Inrush:	53A - 0.3ms
Max Drivers per 16A Type B MCB:	8
Max Fittings per 16A Type B MCB:	8
Total Number of LEDs:	16
Minimum Dim Level:	8 %
Optical Risk Group:	1



8.8Kg₂



0.036M



42 0135 0000 100*



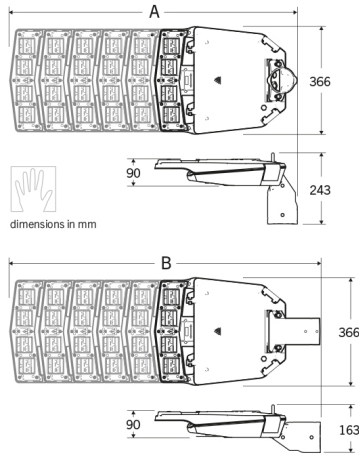
[Installation Guide](#)

*Generic UMSUG code based on product wattage and some or all of product family being included within Elexon data base.

DIMENSIONS

CIBSE TM66 - CEAM RATING

Configuration	A	B
V-Max 1 Chevron	498	578
V-Max 2 Chevron	599	679
V-Max 3 Chevron	700	780
V-Max 4 Chevron	801	881
V-Max 5 Chevron	902	982
V-Max 6 Chevron	1003	1083



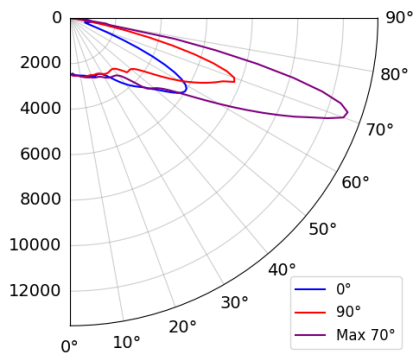
2.8*

0 to 0.5	0.5 to 1.5	1.5 to 2.5	2.5 to 4.0
Very poor circular economy performance	Some circular economy functionality	Definite/substantial progress to circularity	Excellent circularity

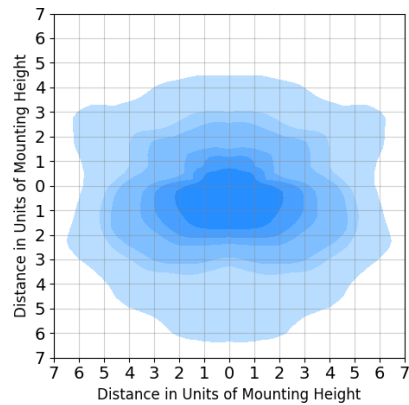
*Preliminary Rating

PHOTOMETRY [↓ IES FILE](#)

Polar Plot



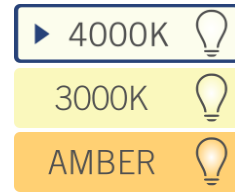
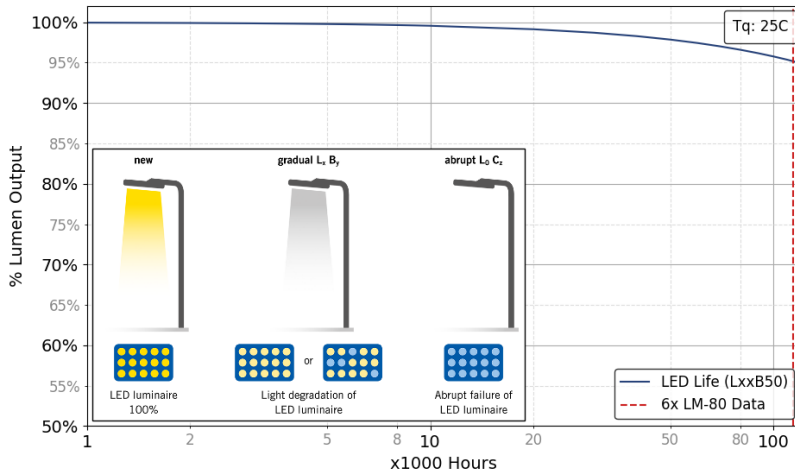
Isoilluminance Plot



Lumens:	17,780
CCT:	4000K
CRI:	70
IES File:	VMXII.1.LA184.V3.D4D4.W135 (TZ)
G-Class:	G*3 Imax @ ≥ 70°: 724 Imax @ ≥ 80°: 99 Imax @ ≥ 90°: 0

LLMF GRAPH

COLOUR TEMPERATURES



For reference purposes, the graph extrapolates beyond the recommend 6x LM-80 data in TM-21, which our calculations are based on.

COLOURS

Standard Colours Available

C1	Smooth White (RAL9016)
C3	Green (RAL6013)
C4	Smooth Graphite (RAL7011)
C6	Smooth Grey (RAL7035)
C7	Textured Black (RAL9005)
C9	Metallic Silver (RAL9006)

Custom Colour Available

RAL****	Customer specified colour
----------------	---------------------------

*Choosing a custom colour may increase the cost and lead time.

Lumen data is considered to be representative of the configuration shown, and may vary, with a tolerance on flux of +/- 7% (typical of LED manufacturer's data) and luminaire power of +/- 5%.

The specifications of the Holophane luminaires represents typical values. All descriptions, illustrations, drawings and specifications in the Holophane catalogue, Datasheets and website represent only general particulars of the goods to which they apply and shall not form part of any contract. The company reserves the right to change specifications at its discretion without prior notification or public announcement.