

Technical Information

Design

BSEN40, PD6547: 2004+A1: 2009 (No sign)

Load class B

Deflection class 3

Head load- See Table

Finish

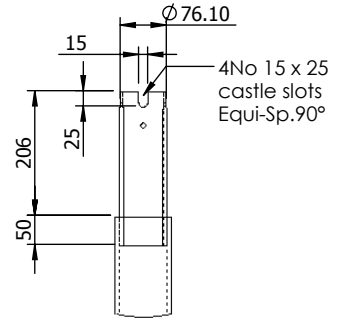
Galvanised to BSEN 1461:2009

Welding

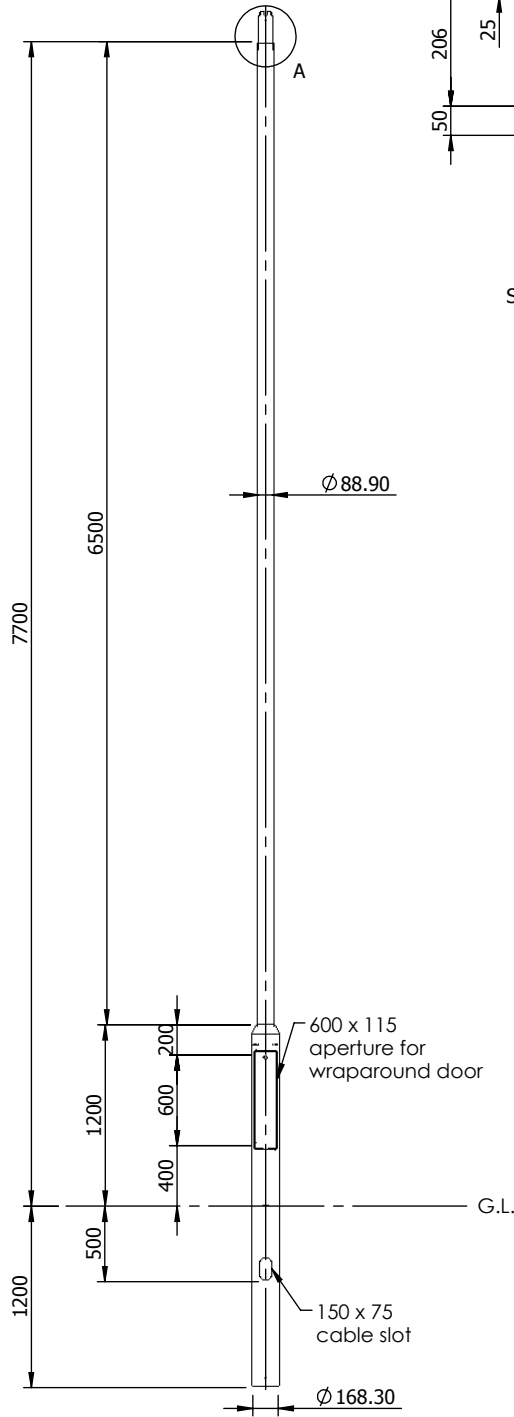
In accordance with BSEN1011
 Procedures to BSEN ISO 15614-1:2004
 Welders qualified to BSEN 287-1:2011

* Maximum design head load based on wind loading region with orientation of bracket/ luminaire(s) being on same plane as door*

3rd Angle



DETAIL A
SCALE 1 : 25



Maximum Loading including Bracket		
Wind Loading Region	Terrain Category	Weight/Area
Extra Light	I	45kg/0.40m ²
	II	55kg/0.50m ²
Light	I	40kg/0.34m ²
	II	48kg/0.43m ²
Medium	I	30kg/0.32m ²
	II	40kg/0.40m ²
Heavy	I	28kg/0.29m ²
	II	36kg/0.36m ²
Extra Heavy	I	22kg/0.22m ²
	II	30kg/0.25m ²

2013 © Copyright



Wyndham Way, Brackla Industrial Estate, Bridgend, Mid Glamorgan, CF31 2AN

Tel.01656 645414

Fax.01656 669231 / 01656 766395

Notes

All dimensions in millimetres unless stated otherwise.

When Multiple views are shown 3rd Angle Projection is assumed.

Revisions		
Rev.	Description	Date
1	Loading Table Added	14/11/13

Title

8 Metre Tubular Post Top Column

002579 & 002582

Drq No. 28350-1

Scale:1:50

Sheet 1 of 1

Drawn By: MJB

Chk'd: MB

Ref. 8M01B (7.7M)

Contract:

Customer:

Date: 5/12/2013