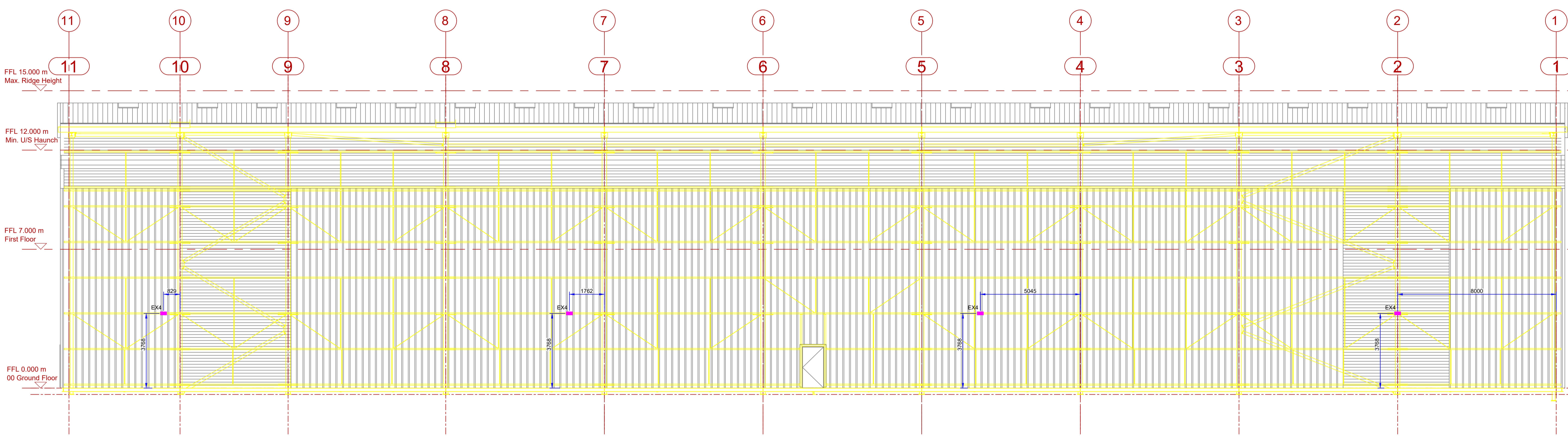
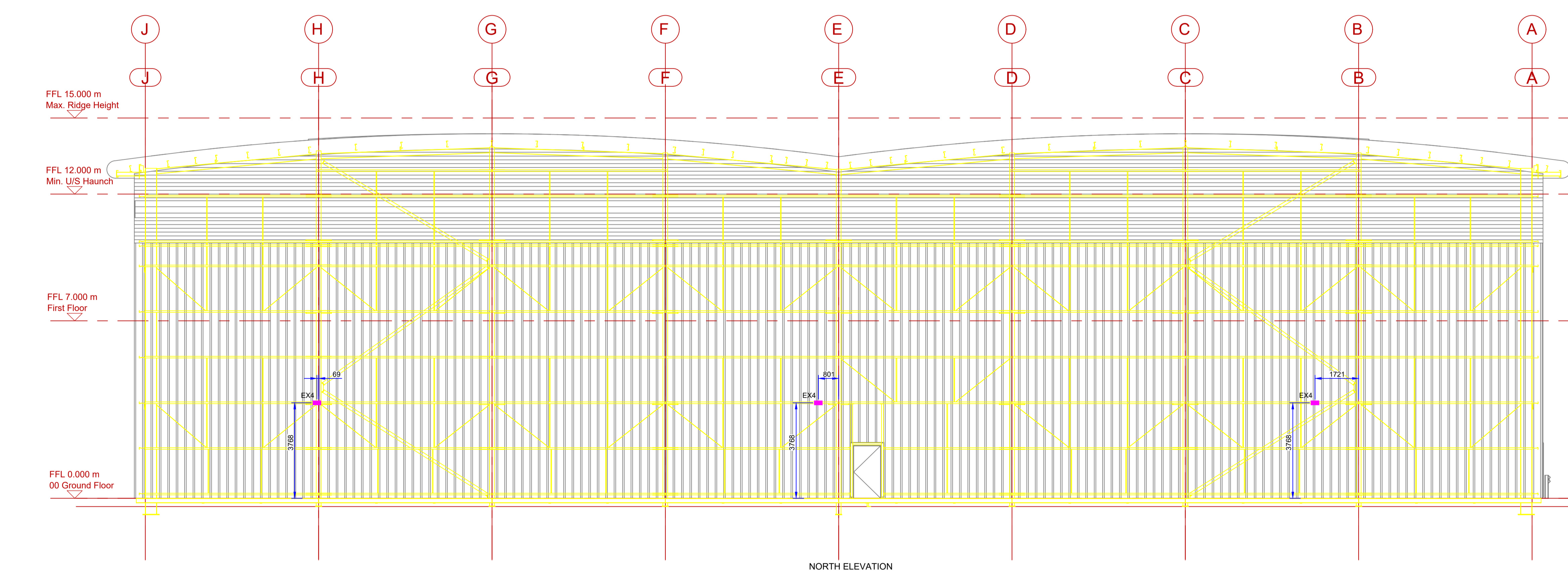


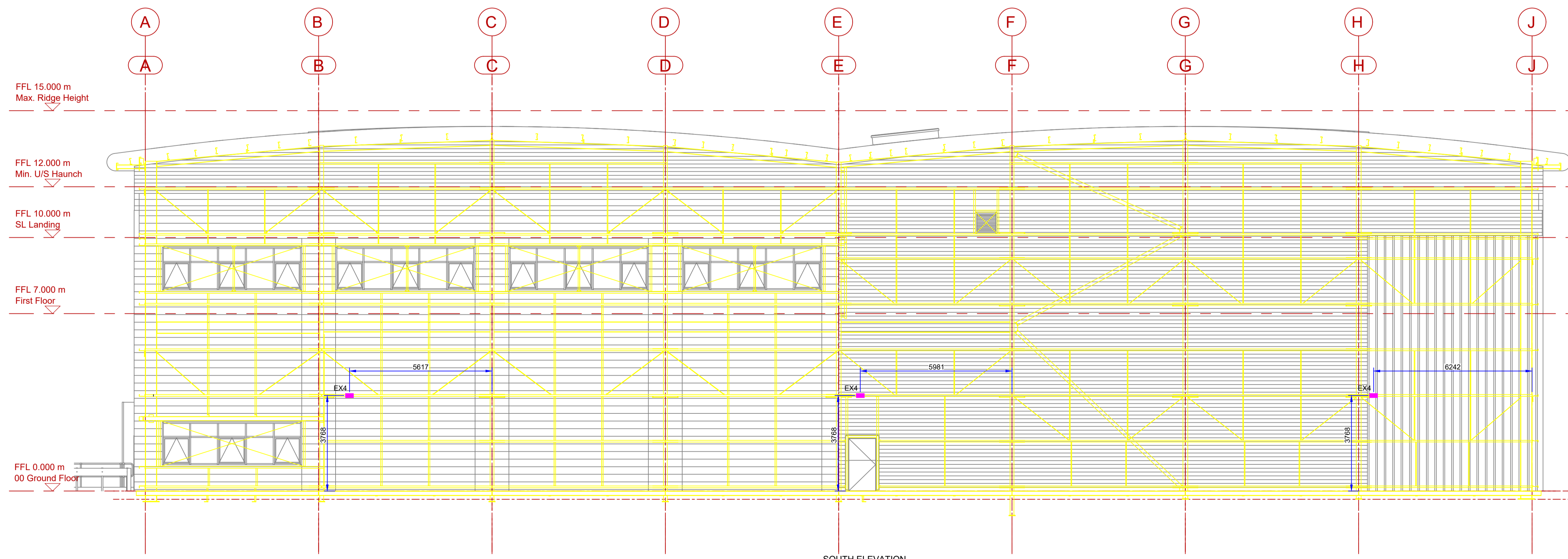
WEST ELEVATION
1:100



EAST ELEVATION
1:100



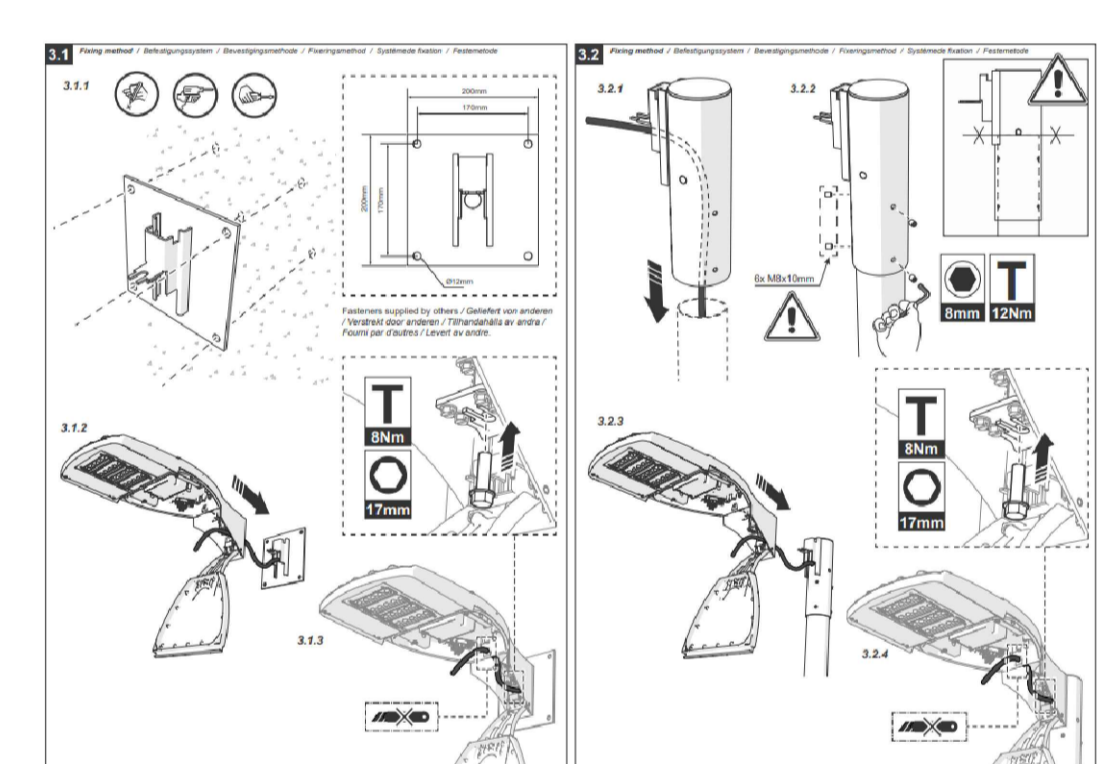
NORTH ELEVATION
1:100



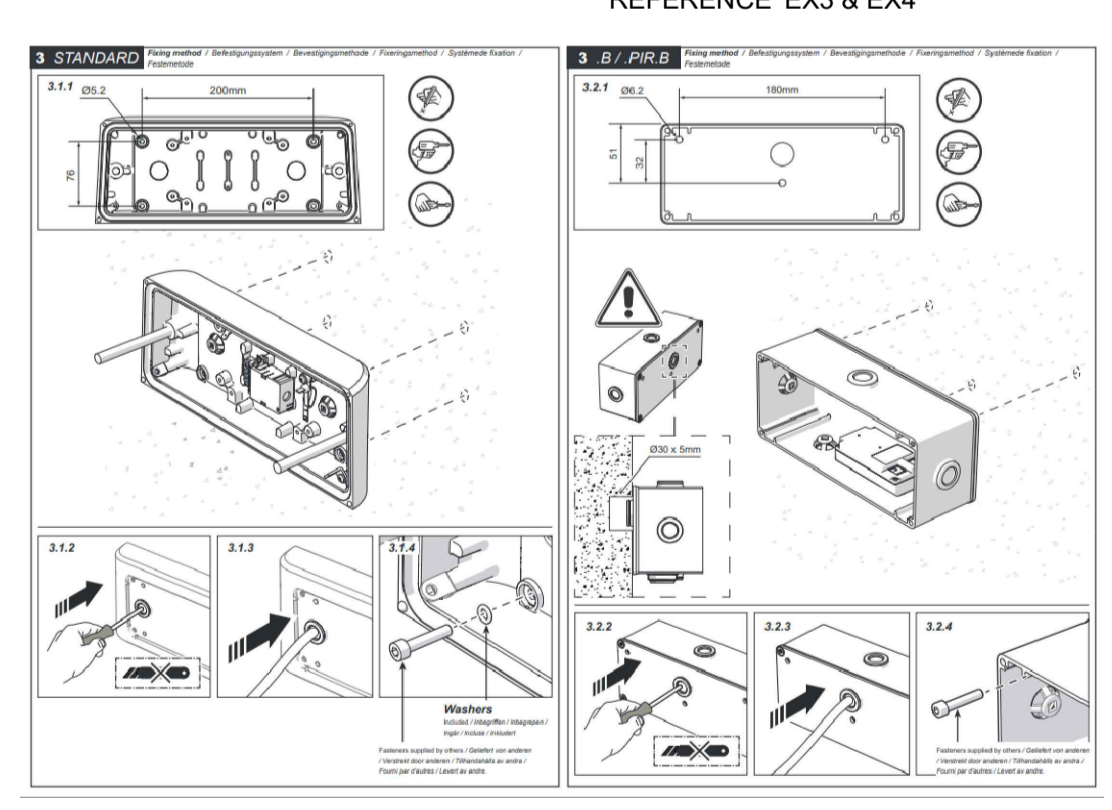
SOUTH ELEVATION
1:100



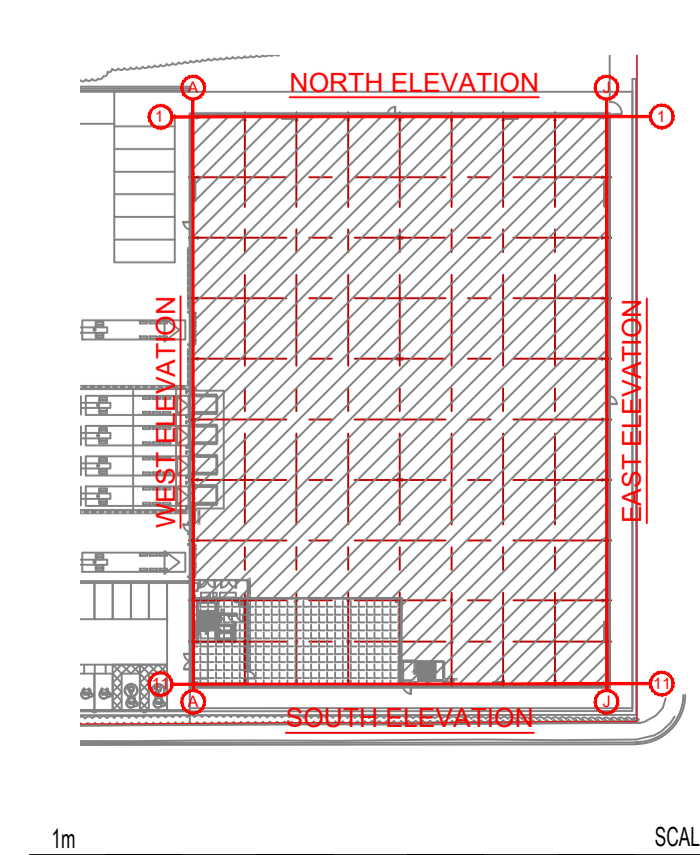
D-SERIES 1 LUMINAIRE
REFERENCE 'EX1'



DENVER ID WALL
REFERENCE 'EX3 & EX4'



LEGEND OF EXTERNAL LIGHTING SYMBOLS					
SYMBOL	DESCRIPTION	QTY	WEIGHTS	LLMW	WINDAGE
EX1	200W (2300LM) D-SERIES 1 LUMINAIRE WITH FORWARD THROW OPTIC WALL MOUNTED AT 3M - DSX1.2 LA254 F99 - HOLOPHANE	4	12.2 kg	110	0.09
EX3	11W (200LM) DENVER ID WALL WITH LONG AND NARROW THROW OPTIC WALL MOUNTED AT 5M - DWL 1 LA254 NR W011 - HOLOPHANE	2	6.5 kg	135	N/A
EX4	6.5W (100LM) DENVER ID WALL WITH LONG AND NARROW THROW OPTIC WALL MOUNTED AT 3.5M - DWL 1 LA254 NR W007 - HOLOPHANE	10	6.5 kg	127	N/A



Rev	Description	By	Date
P1	PRELIMINARY ISSUE	LH	13.11.2023

PRELIMINARY

EBM
ELECTRICALSERVICES
LIMITED

winvic

Project: **UNIT 3 WINGATES, BOLTON**

Title: **UNIT 3 EXTERNAL LIGHTING ELEVATION**

Scale	1:100	Dwg. Size	A0	Date	13.11.2023
Drawn	LH	Checked	TW	Approved	TW

Dwg. No: **P23012-EBM-EX-XX-DR-E-0933** P1

THIS DRAWING IS COPYRIGHT AND MAY NOT BE REPRODUCED EITHER IN PART OR FULL WITHOUT WRITTEN PERMISSION FROM EBM ELECTRICAL LTD.