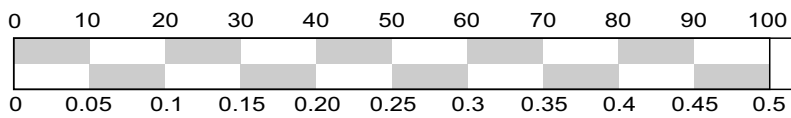
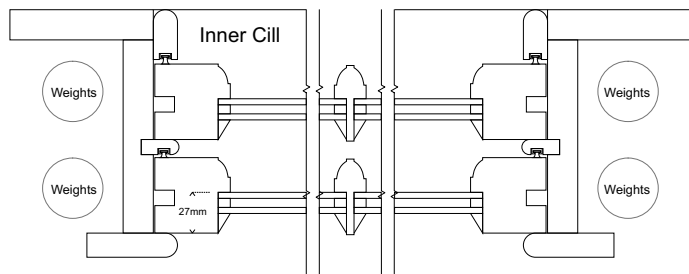
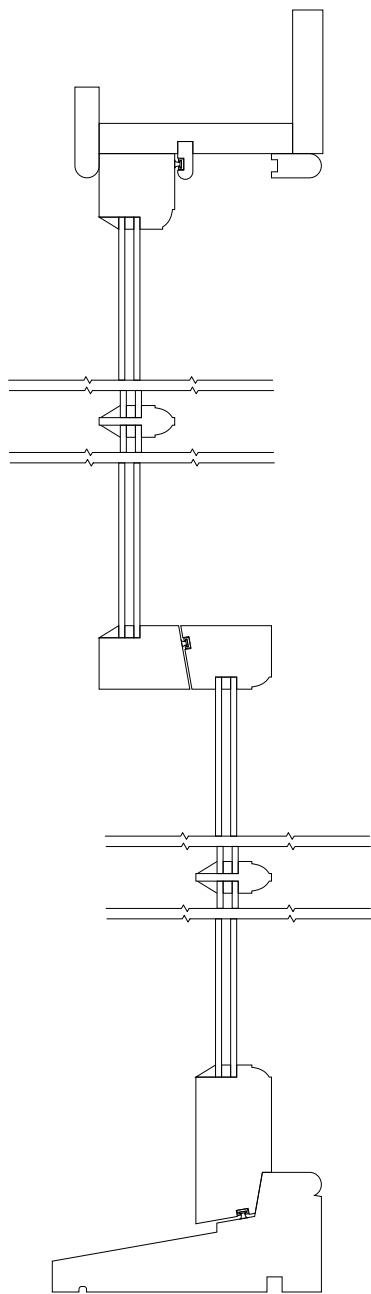


Proposed Window Sections

Installation of 14mm IGU's



Section drawings are on a 1:5 Scale

1:5

Proposed Window Specification :

Timber: Redwood/Pine
50x50mm timber sections, 12mm Parting beads and 33mm baton rods. 21mm Astragals

Draught Exclusion: Brush Pile and Carrier

Glazing:
Slimline 14mm (4/6/4) Argon filled IGUs, 4mm low E glass/6mm Black heritage spacer/4mm float

Painting: Oil based - Sashes White gloss external / white eggshell internal

Replacement sashes to be made to historic standards with traditional wedged mortise and tenon joinery.

<table border="1"> <tr> <td>S</td> <td>W</td> </tr> <tr> <td>S</td> <td>E</td> </tr> </table>	S	W	S	E	<p>Sash Window Surveys Edinburgh</p> <p>sashwindowsurveysedinburgh.co.uk</p> <p>50 Whitelaw Drive, Bathgate, EH48 1RQ</p>
	S	W			
S	E				

Dominique Baker

2a Brunswick Street
Edinburgh
EH7 5JD