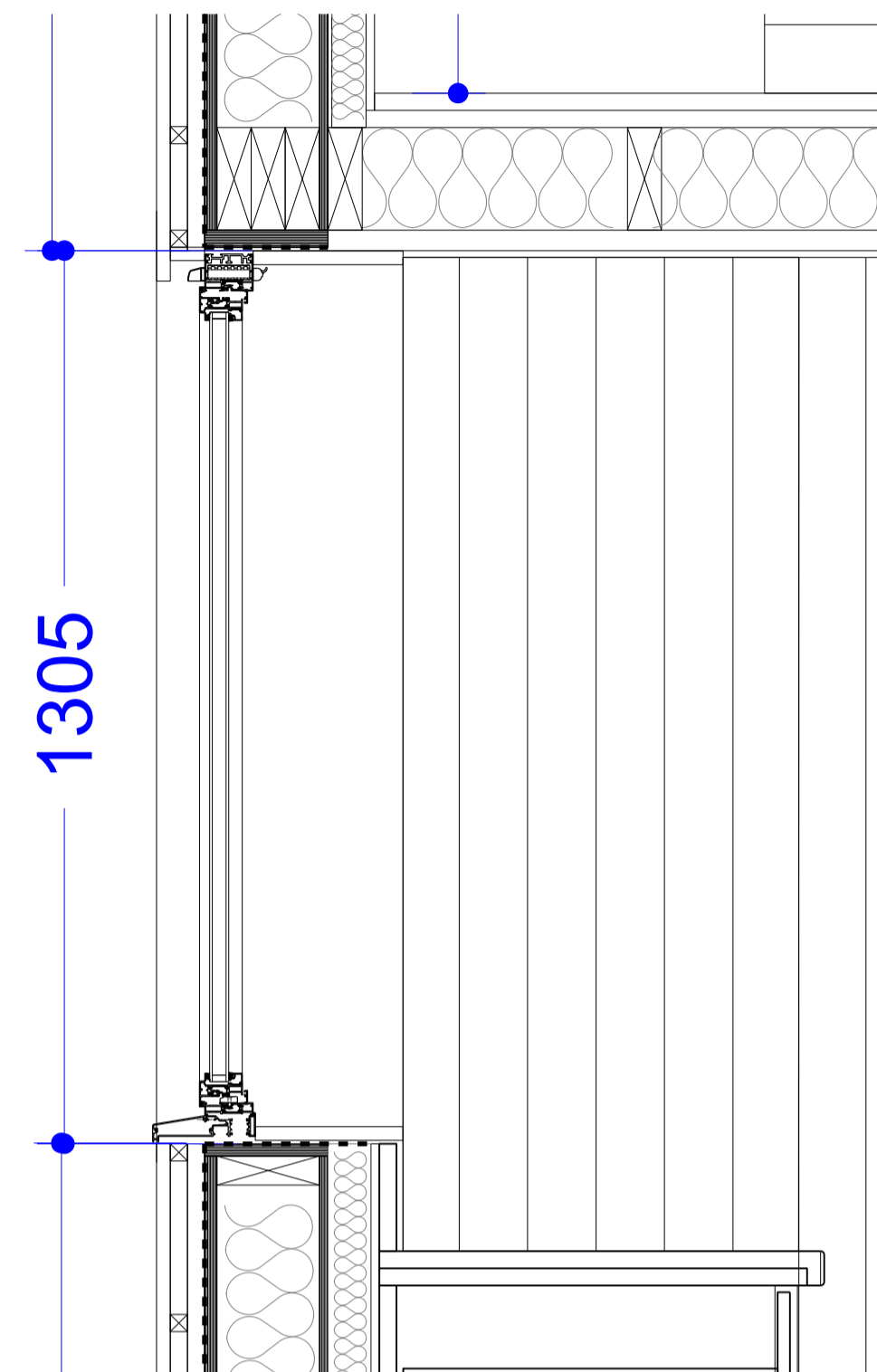
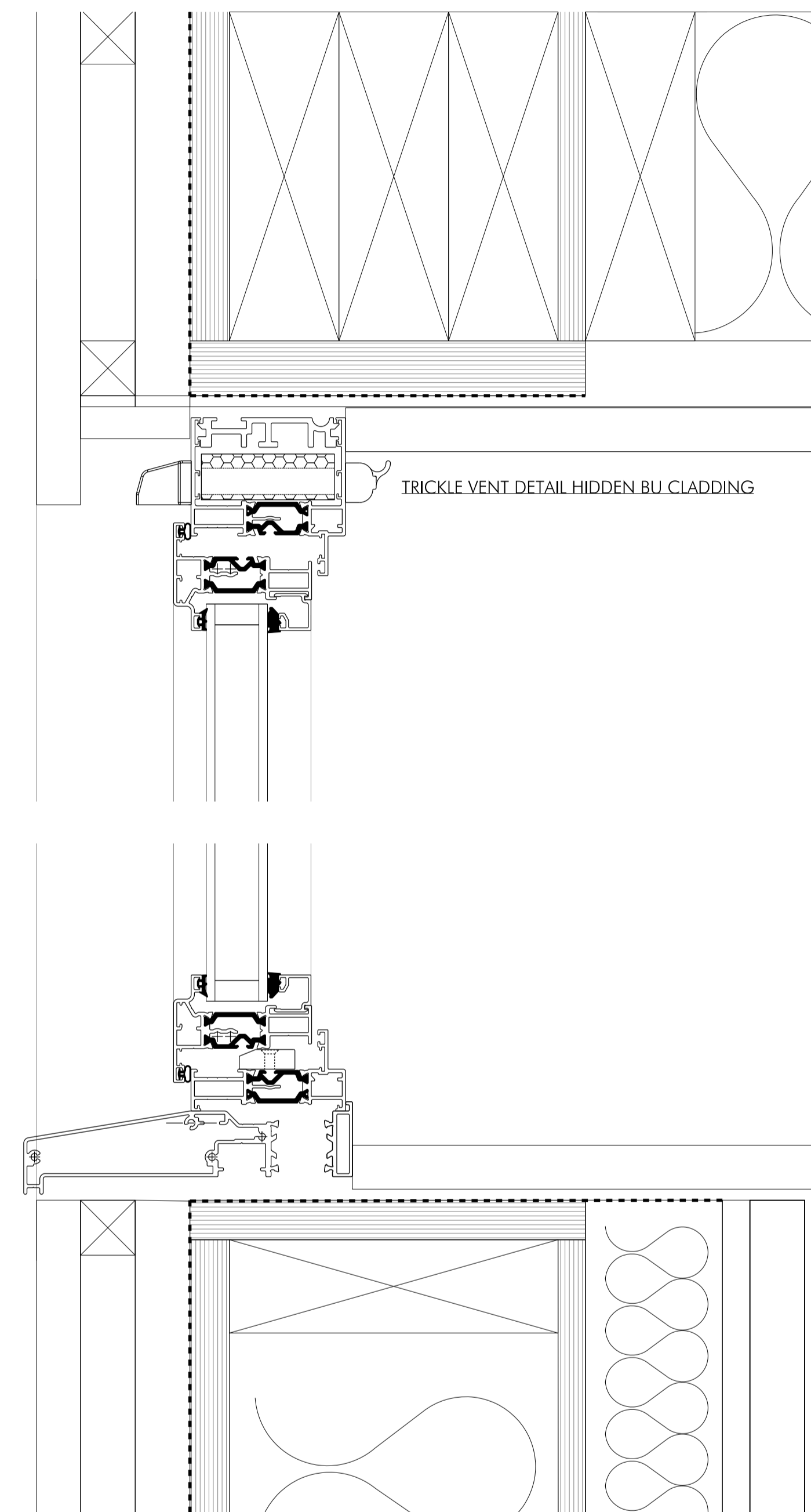


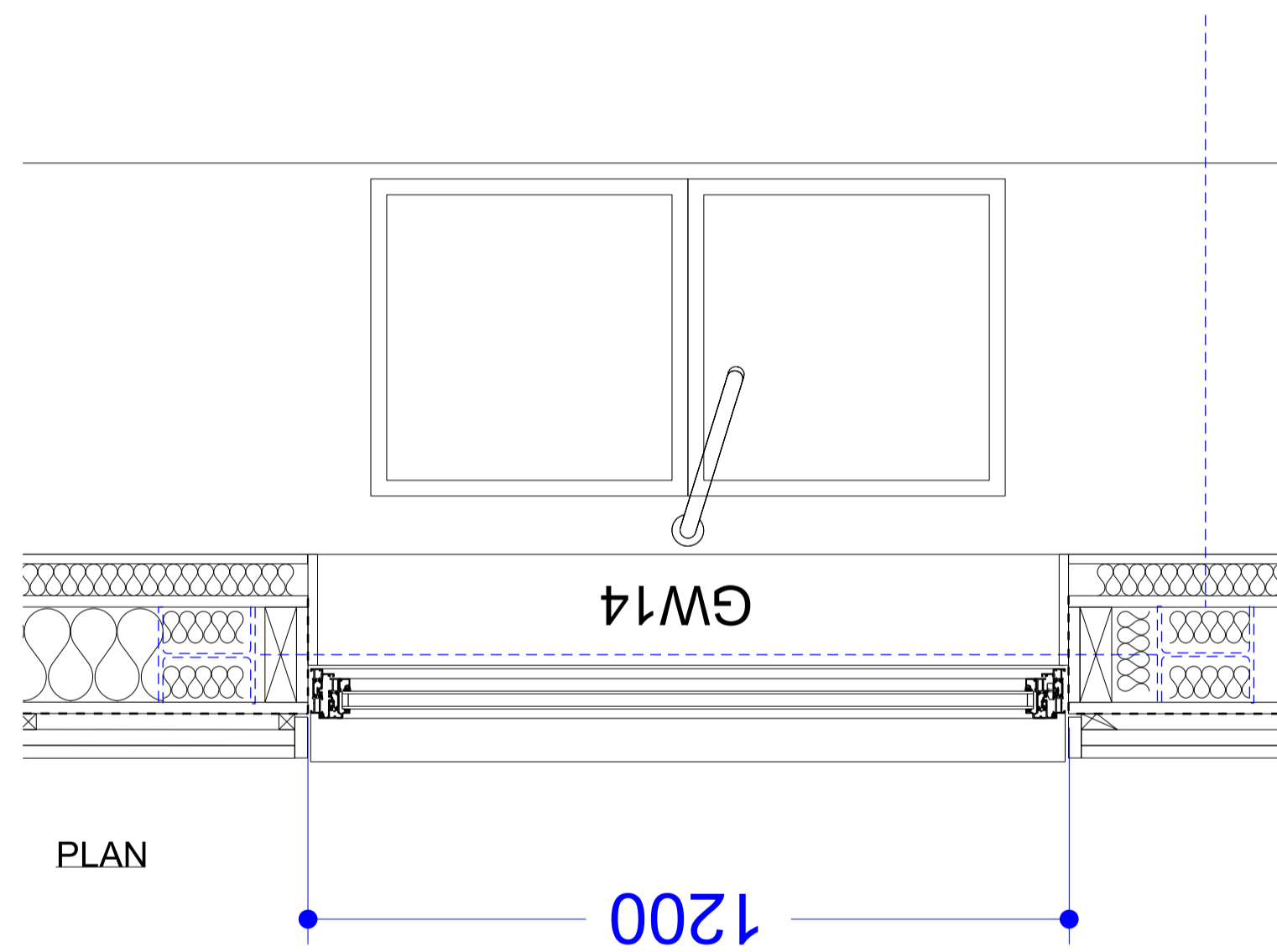
ELEVATION



SECTION



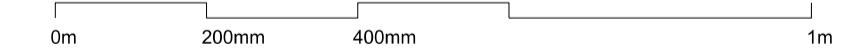
DETAIL 1:2



PLAN

FOR CONSTRUCTION

Revision	Date	Description
C1	26.03.2024	Issued for Construction



Do not scale from this drawing. All measurements given are in millimetres and shall be rounded up to the nearest millimetre prior to the purchase or manufacture of any components. All dimensions between vertical dimensions given and those measured on site shall be taken as a minimum.

Drawing Name  
**PROPOSED CASEMENT WINDOW DETAILS**

Drawing No. **1334\_802** Revision **C1**

<b>KATE JACKSON ARCHITECTS</b>	Project <b>Barkham, Main Street, Ashendon, HP18 0HB</b>	Project No. <b>1334</b>
<small>Water Meadow The Drive Bourne End SL8 5RE</small>	Client <b>MR &amp; MRS KERSTEIN</b>	
<small>07587782721 www.katejacksonarchitects.com info@katejacksonarchitects.com</small>	Date <b>26.03.2024</b>	
	Scale / Format <b>1:10 / A1 1:20 / A3</b>	
	Drawn / Checked <b>MF / KJ</b>	