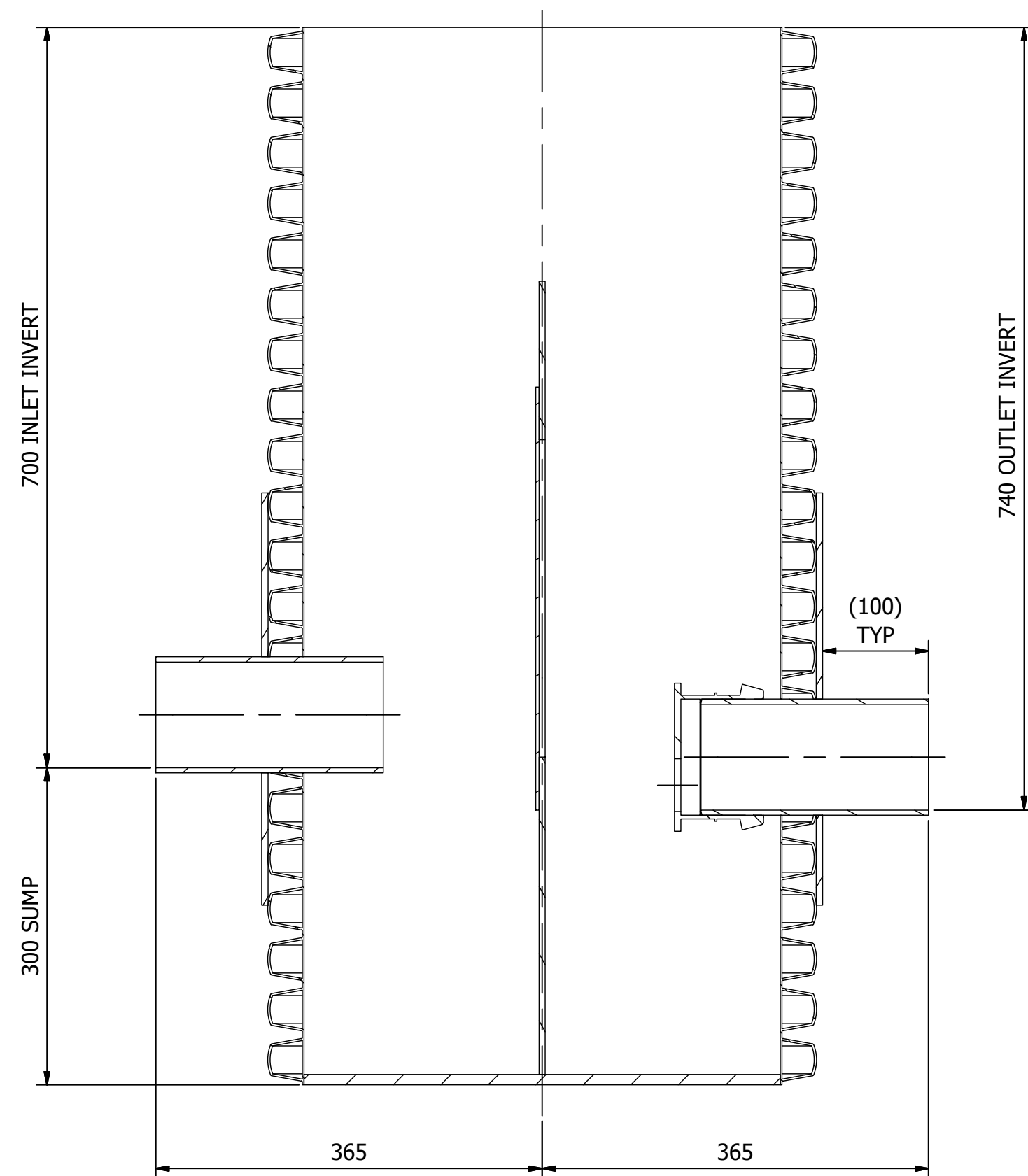
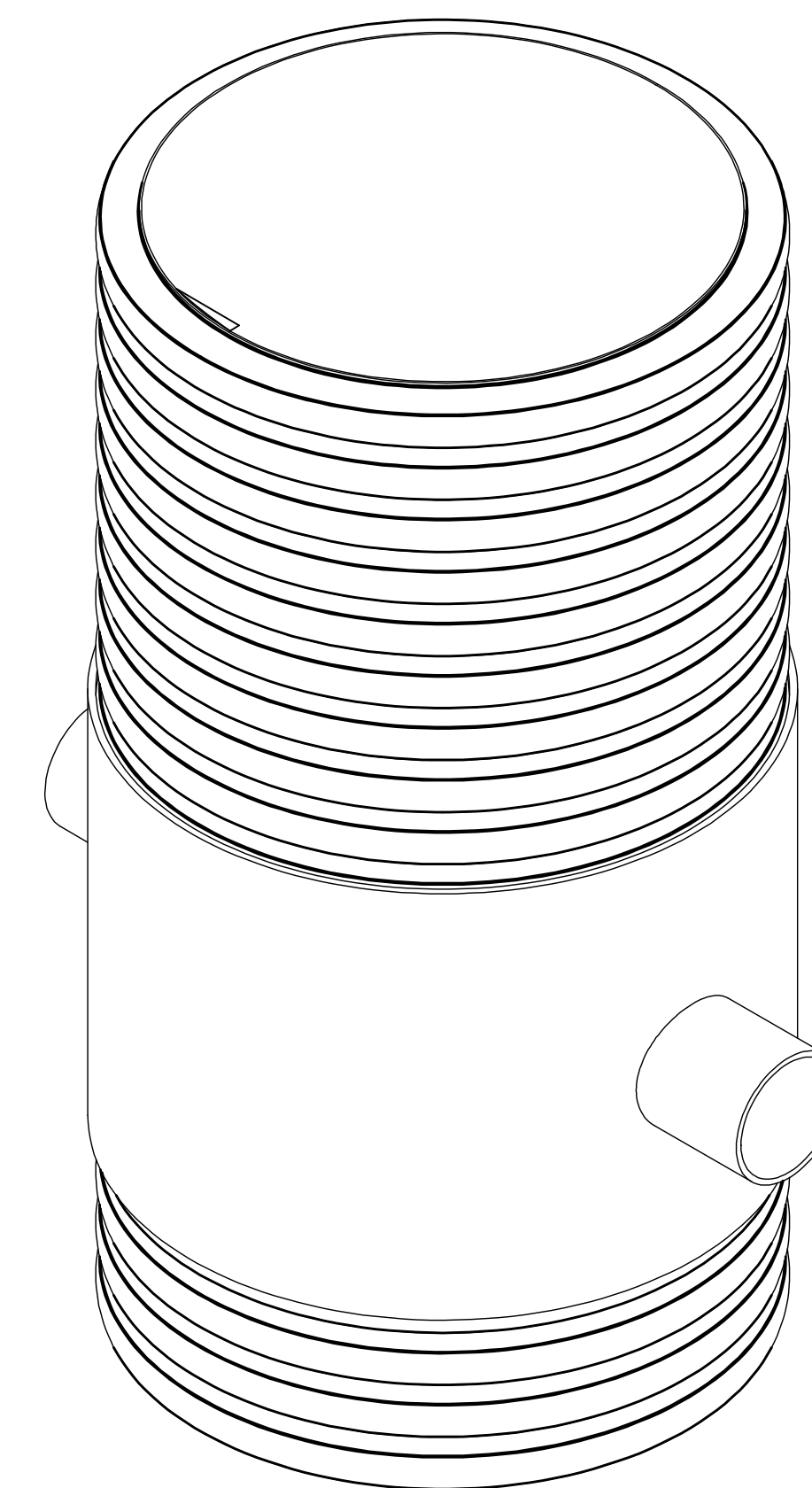
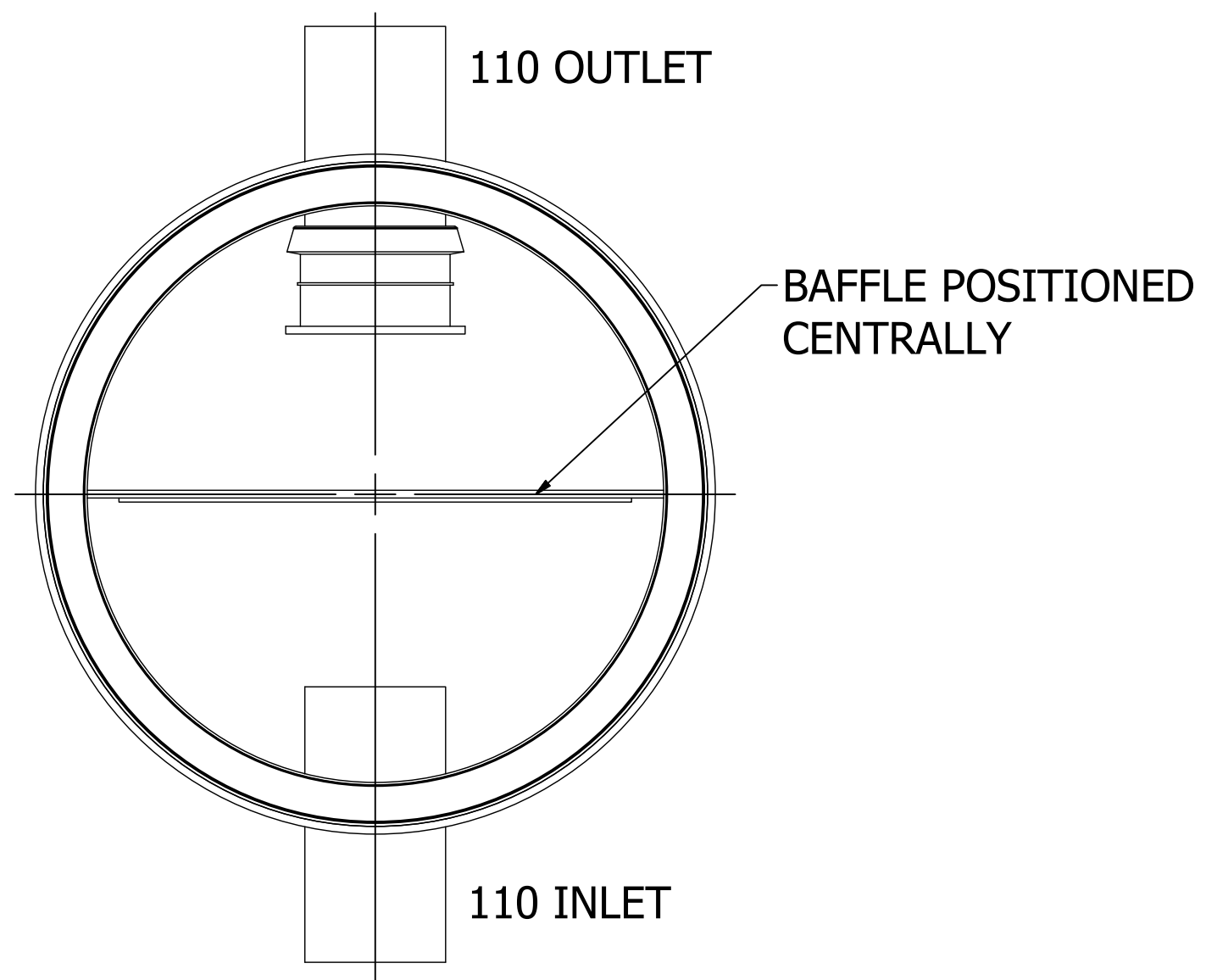
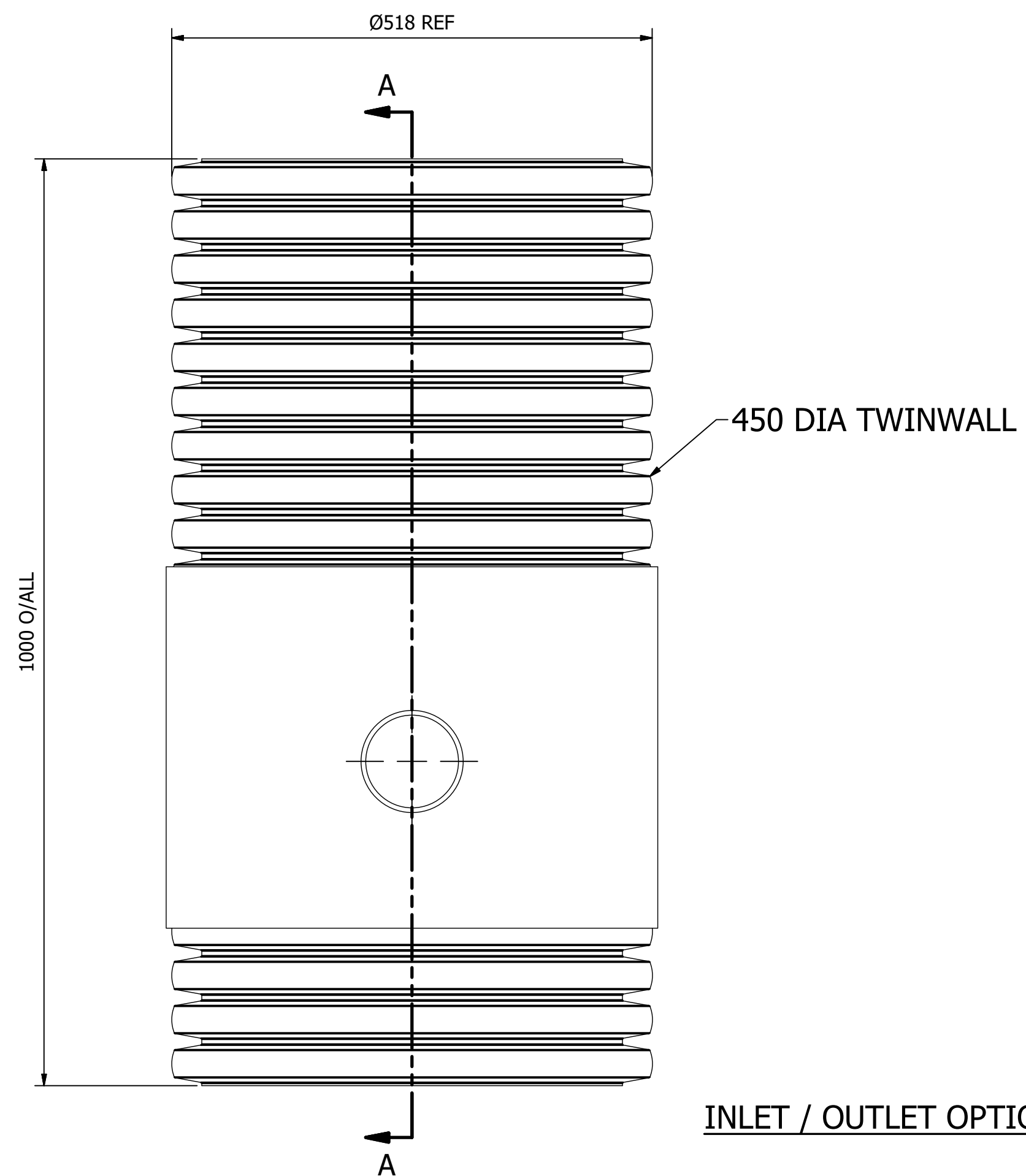


PART DETAIL OF INTERNAL FILTER BAFFLE



SECTION A-A



INLET / OUTLET OPTIONS

110, 160 (EN1401)

150 TWINWALL

REMOVABLE ORIFICE PLATE
ORIFICE DIA. CALCULATED
TO SUIT DESIGN CRITERIA

FILTER SCREEN

DRAWN BY:-	R.U.	CONTRACT REFERENCE:-		N/A
DRAWN DATE:-	14/06/2019	PRODUCT DESCRIPTION		
		ORIFLO C SERIES 450 DIA - 1000 DP		
APPROVED	D.A.	SIZE	PRODUCT CODE	REV
		A3	OFCC450-1	2
		SCALE	1:5	SHEET 1 OF 1

