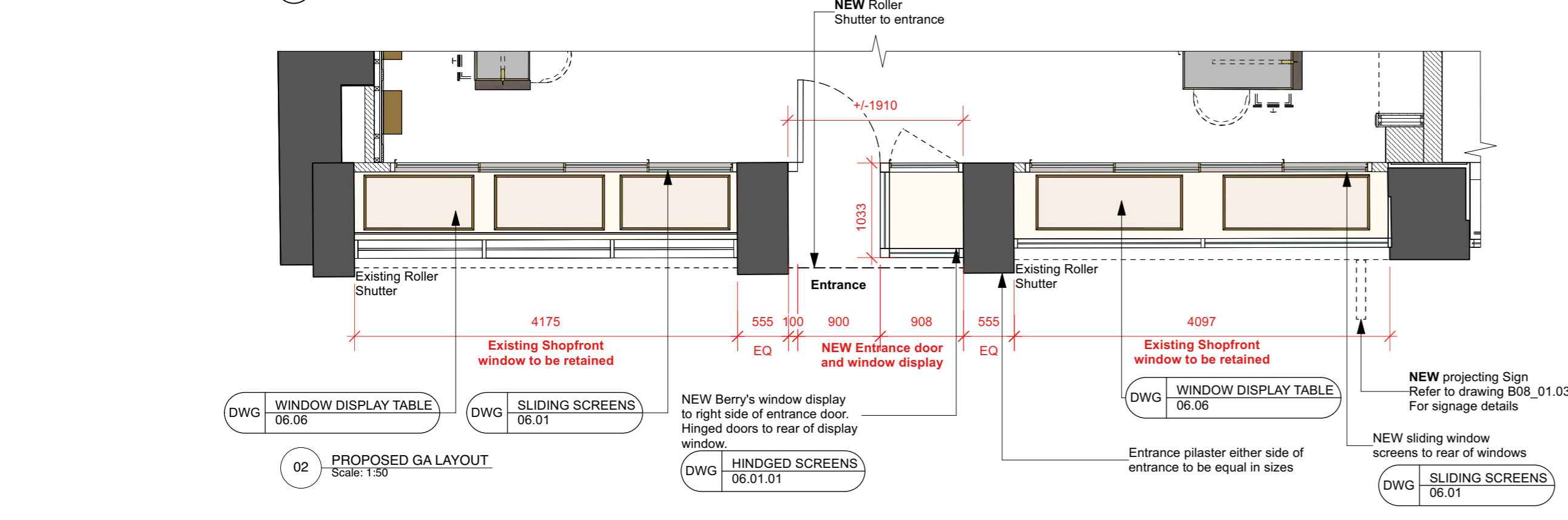
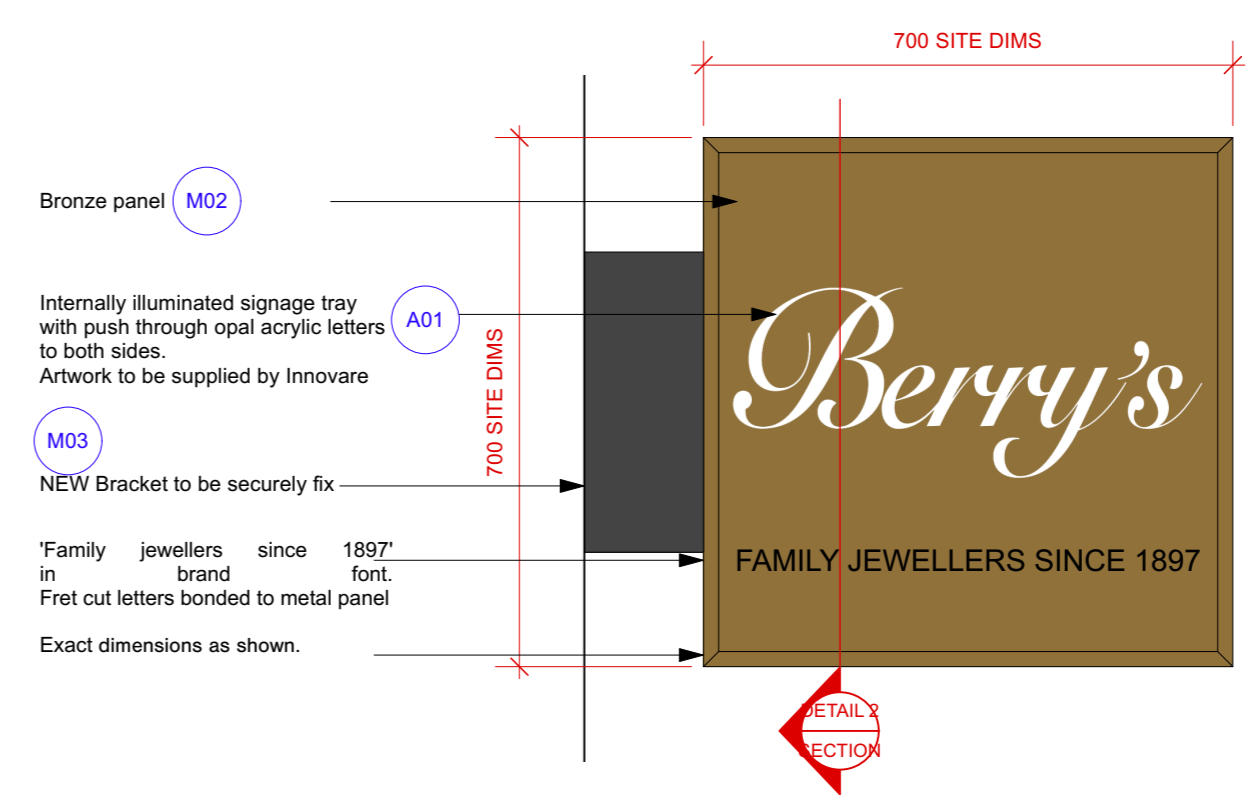




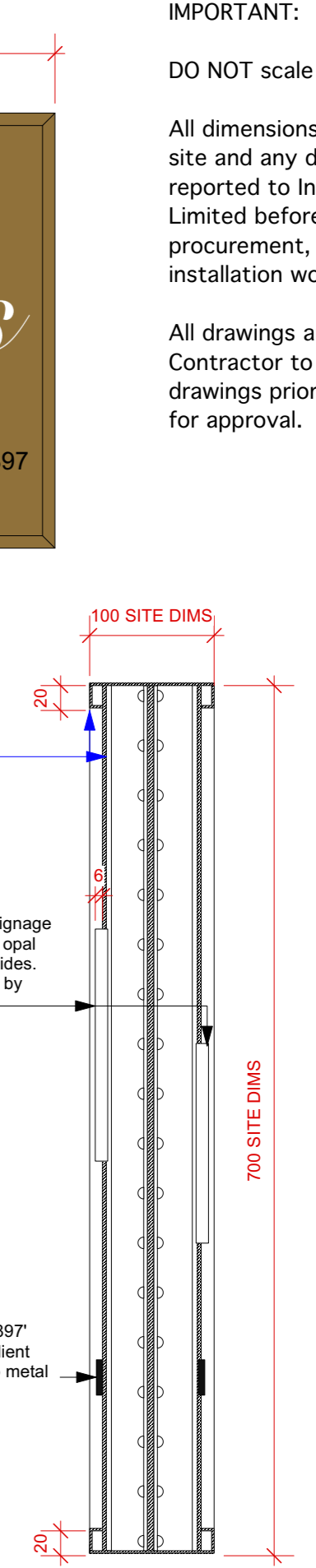
01 PROPOSED SHOPFRONT ELEVATION  
Scale: 1:50



02 PROPOSED GA LAYOUT  
Scale: 1:50



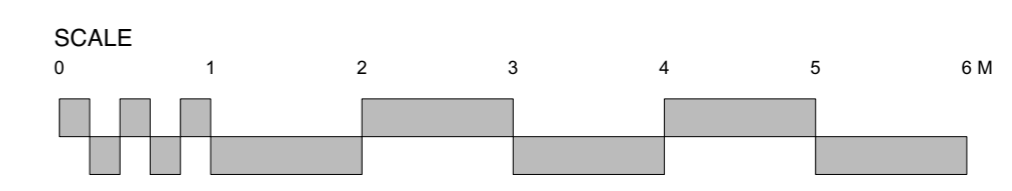
03 DETAIL 1: PROJECTING SIGN  
Scale: 1:10



04 DETAIL 2: SIGN SECTION  
Scale: 1:5



00 REFERENCE ELEVATION  
Scale: NTS



**IMPORTANT:**  
DO NOT scale from this drawing.  
All dimensions to be checked on site and any discrepancies reported to Innovare Design Limited before any procurement, manufacture or installation works commence.  
All drawings are indicative. Contractor to provide ROD drawings prior to manufacture for approval.

NUMBER	DATE	AMENDMENT	SIGNATURE
A	27.03.24	Revised Entrance	LL

CLIENT  
**Berry's Jewellers**  
PROJECT/ADDRESS  
56-62 Albion street, Leeds LS1 6AD  
DRAWING TITLE  
Proposed Shopfront Elevation & Plan  
SCALE PAGE SIZE DATE  
1:50 A2 27.03.2024  
DRAWN BY  
Melanie  
DRAWING NUMBER REVISION  
B08\_\_01.02 B

**innovare**  
Innovare Design Limited  
Unit 10 Hopyard Studios  
3 Lovibond Lane  
London SE10 9FY  
T: +44 (0)20 8859 5910  
E: studio@innovare-design.com  
www.innovare-design.com  
This drawing is the property and title of Innovare Design Limited. Copyright is reserved by them and the drawing is issued on the condition that it is not copied, reproduced, retained or disclosed to any unauthorised person, either wholly or in part without the written consent of Innovare Design Limited.