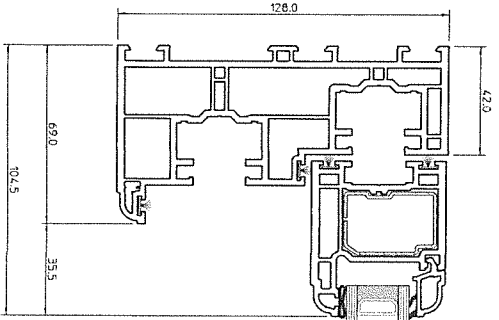
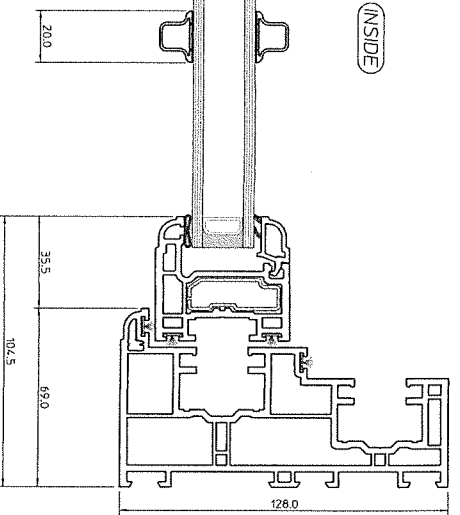
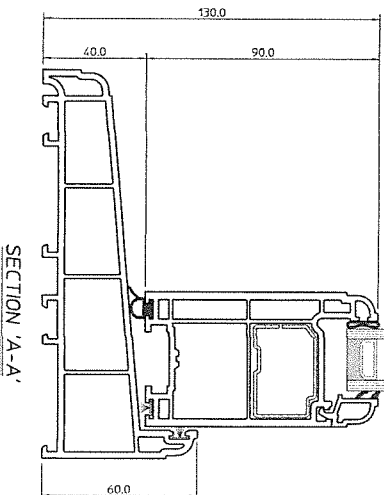
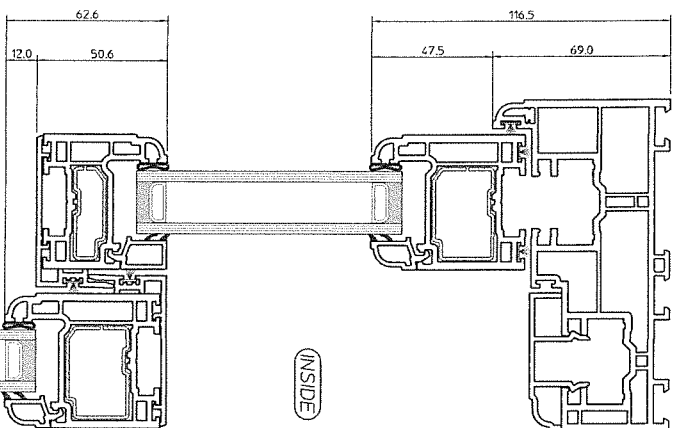
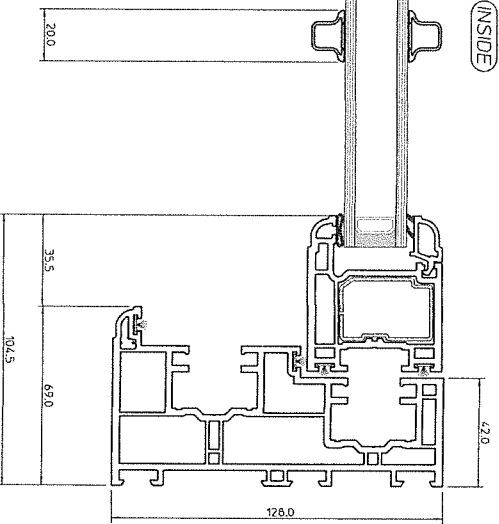


SECTION B-B



SECTION C-C



SECTION A-A

QUICKSLIDE LEGACY VERTICAL SLIDER ELEVATION & CROSS SECTIONS

<p>Epwin Group WINDOW SYSTEMS</p>	
<p>DIVISION 2000 S. STATE ST. SUITE 1000 DENVER, CO 80202</p>	
<p>PROJECT NO. G.6</p>	<p>DATE 7/10/2007</p>
<p>PROJECT NAME QUICKSLIDE LEGACY VERTICAL SLIDER ELEVATION AND CROSS SECTIONS</p>	<p>SCALE 1:10 & 1:1</p>
<p>DATE 7/10/07</p>	<p>BY 7409</p>