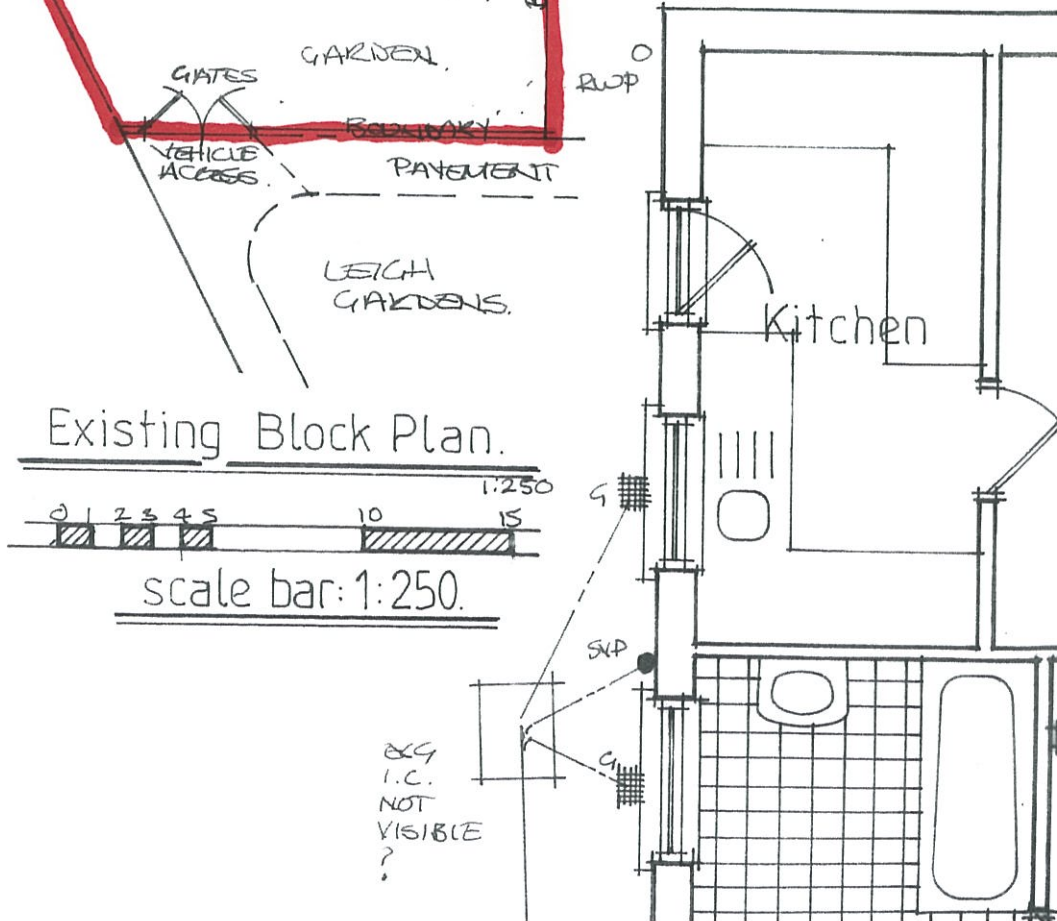
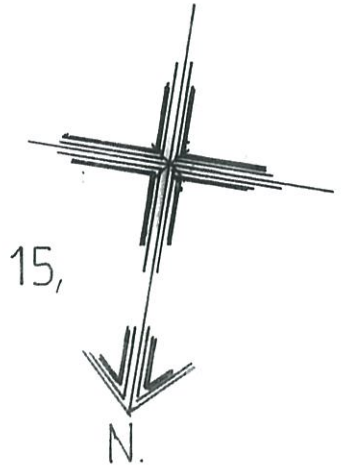
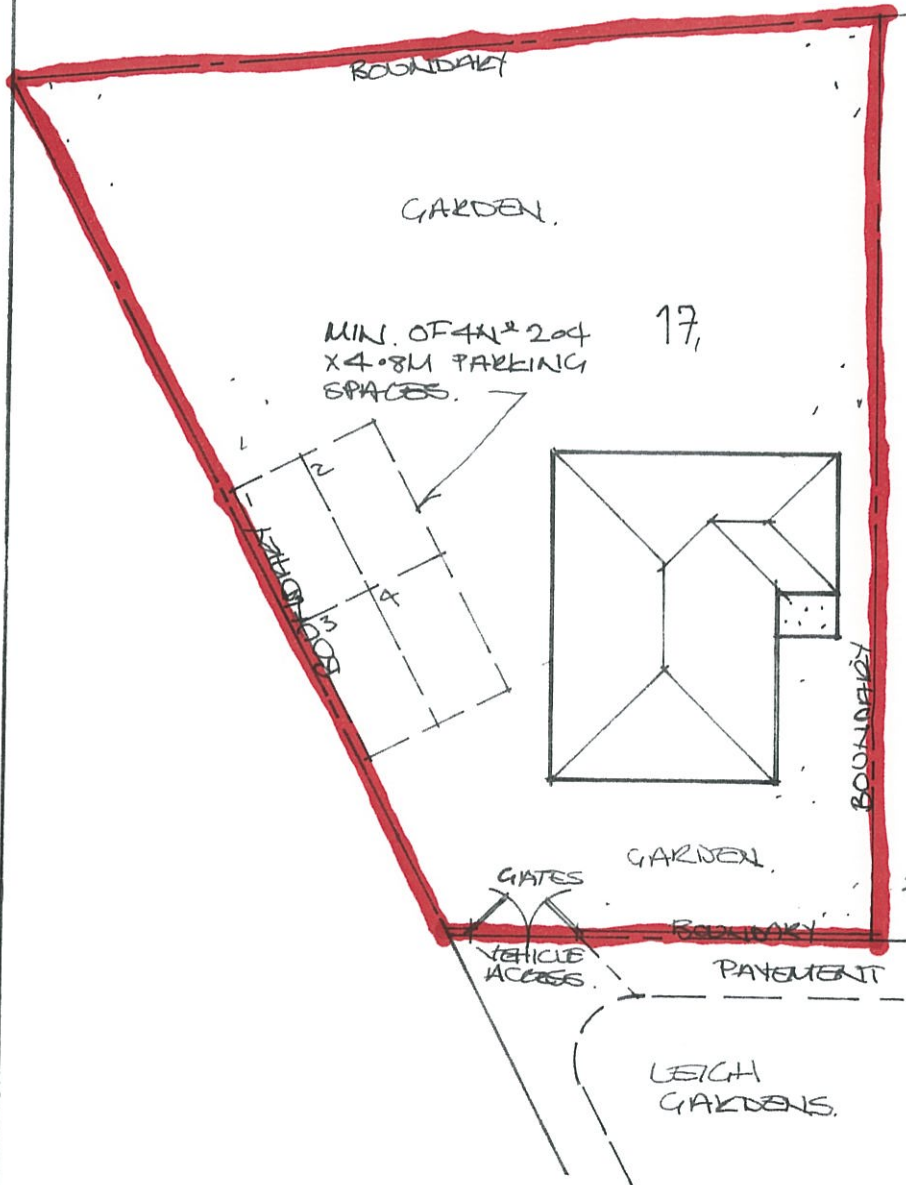
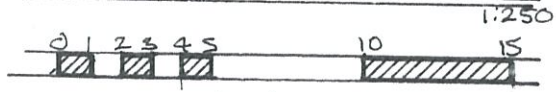


Exg. Side Elevation.

1:100



Existing Block Plan.



scale bar: 1:250.

EXG I.C. NOT VISIBLE?