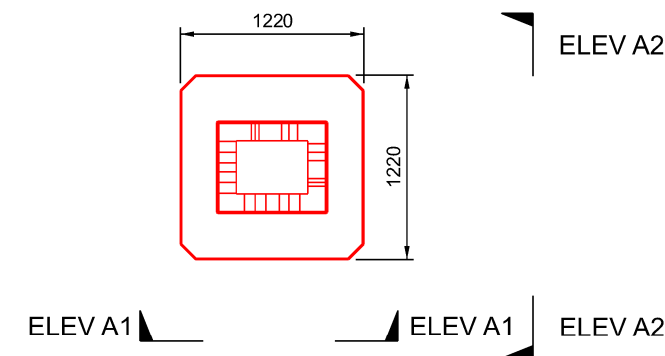
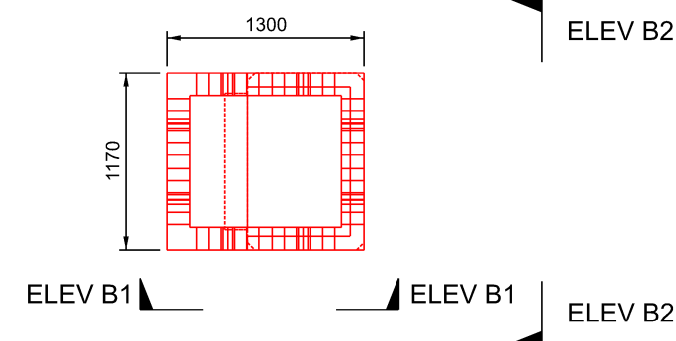


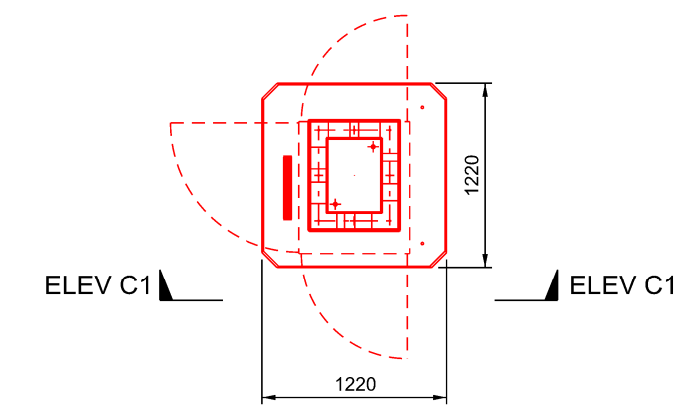
ABB CHARGE POST FOUNDATION PLAN
SCALE 1:50



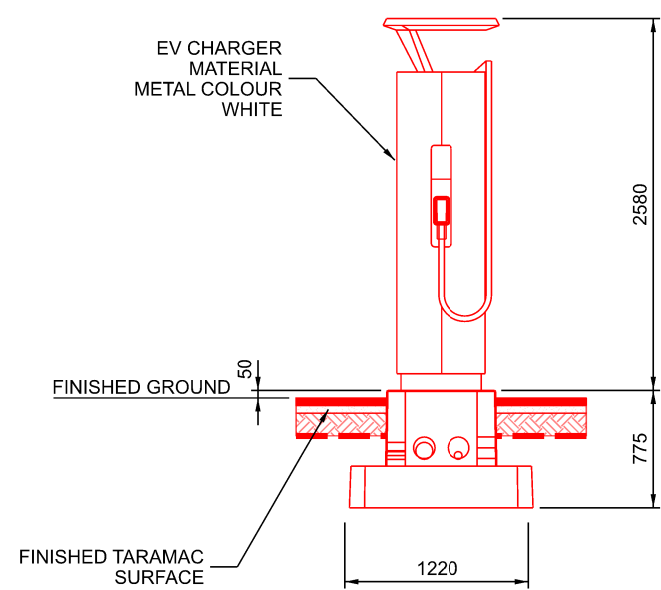
HP CABINET FOUNDATION PLAN
SCALE 1:50



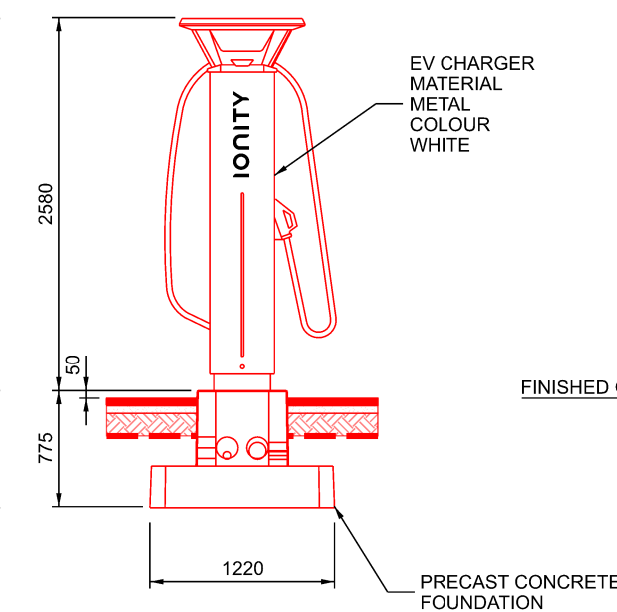
ALPITRONIC HYC 400 CHARGER FOUNDATION PLAN
SCALE 1:50



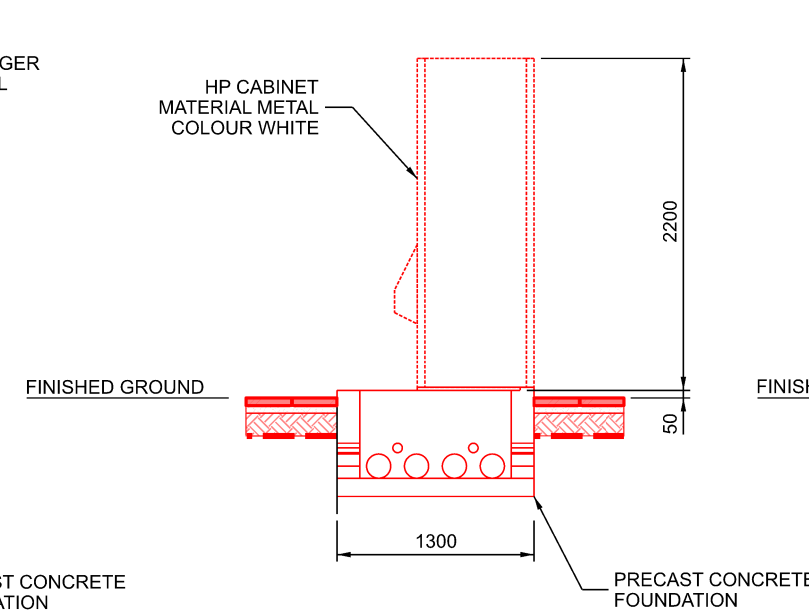
ELEVATION A1
SCALE 1:50



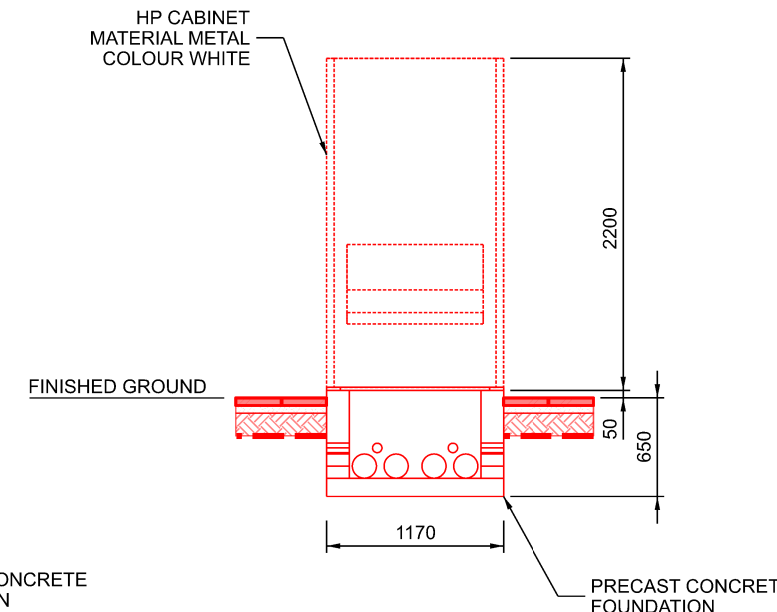
ELEVATION A2
SCALE 1:50



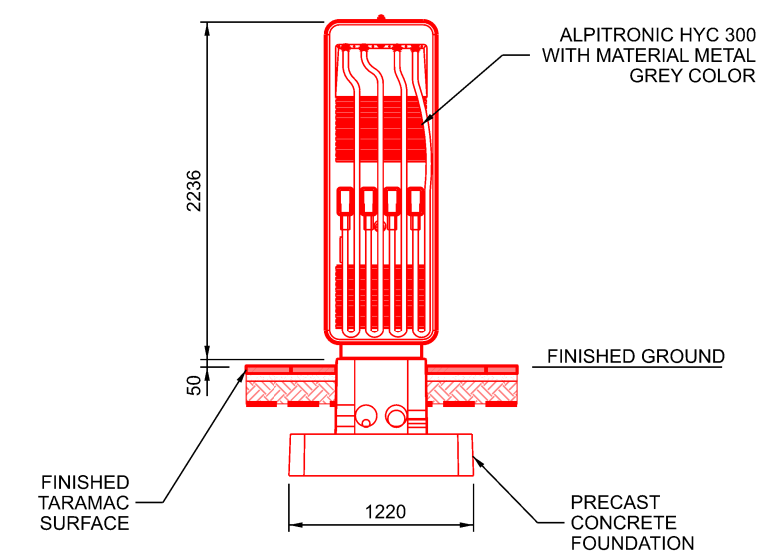
ELEVATION B1
SCALE 1:50



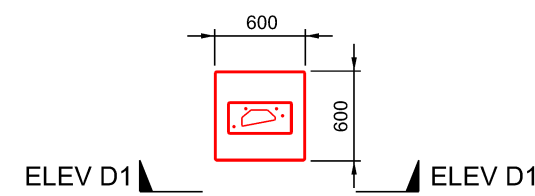
ELEVATION B2
SCALE 1:50



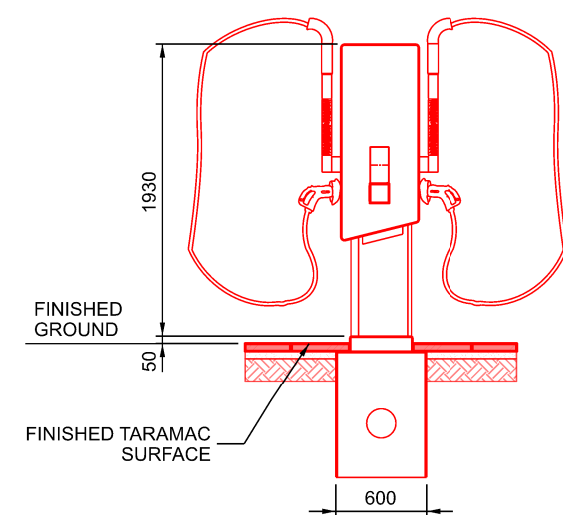
ELEVATION C1
SCALE 1:50



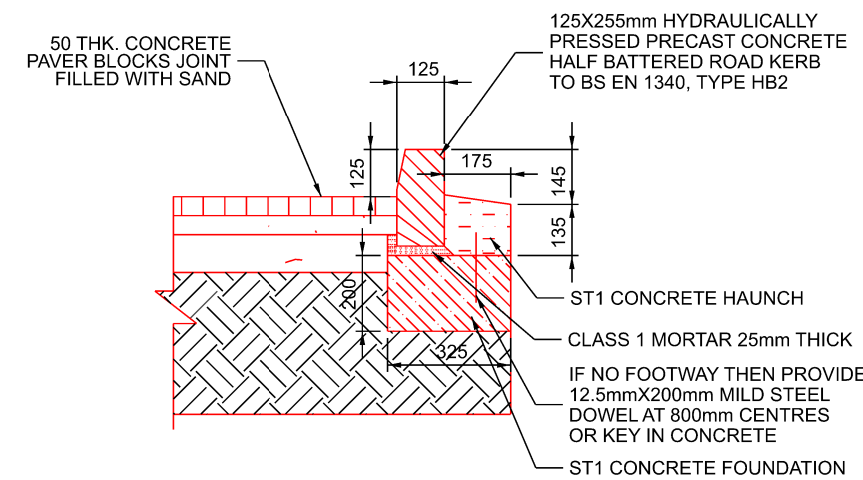
ALPITRONIC HYC 50 CHARGER FOUNDATION PLAN
SCALE 1:50



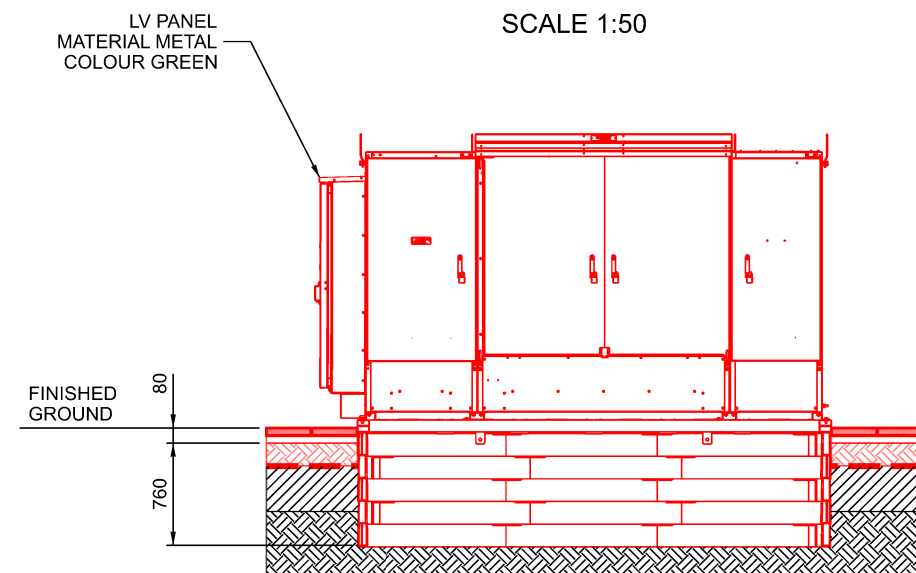
ELEVATION D1
SCALE 1:50



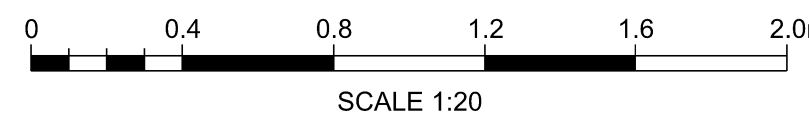
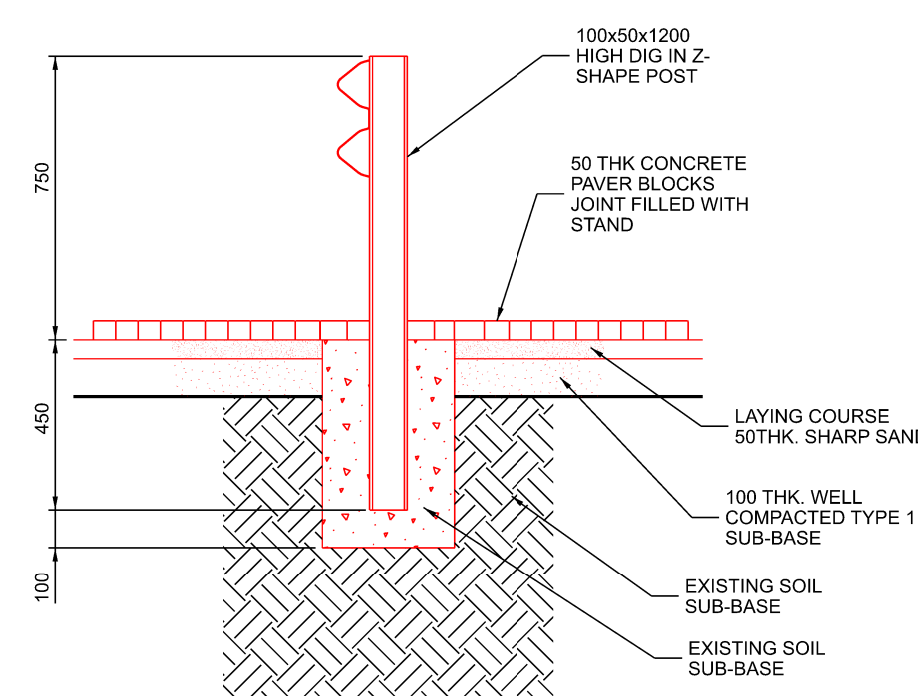
TYPICAL KERB DETAILS
SCALE 1:20



LV PANEL ELEVATION
SCALE 1:50



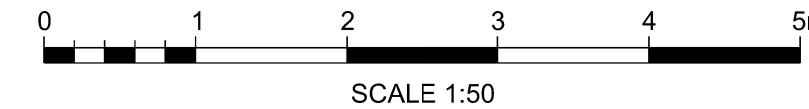
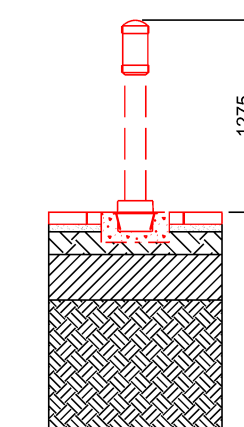
ARMCO BARRIER
SCALE 1:20



NAL BOLLARD PLAN
SCALE 1:50



NAL BOLLARD ELEVATION
SCALE 1:50



NOTES:
1. ALL DIMENSIONS ARE IN MILLIMETRES (mm) AND LEVEL ARE IN METERS (m) UNLESS STATED OTHERWISE.

COLOUR CONVENTIONS
BLACK - EXISTING OR UNCHANGED
BLUE - MODIFIED OR TO BE MOVED
GREEN - REDUNDANT OR TO BE REMOVED
RED - PROPOSED OR ADDITIONAL
PURPLE - WORKS BY OTHERS/FUTURE WORKS

| | | | | | |
|-----|----------|--------------------------|-------|------|------|
| P02 | 08/02/24 | ISSUED FOR REVIEW | HP | Chk | App |
| P01 | 15/12/23 | ISSUED FOR REVIEW | HP | Chk | App |
| Rev | Date | Description of Revisions | Drawn | Chkd | Appr |

S0 - WORK IN PROGRESS



Poise Group Ltd
124 City Road
London
EC1V 2NX

Contractor(s)



Ionity GmbH
Moosacher Strasse 84,
D-80809 Munich
Germany

Project

IONITY
VILLAGE HOTEL
MAIDSTONE

Drawing Title

GENERAL TYPICAL DETAILS

| | | | | | |
|----------|----------|--------|--|------|----------|
| Designed | HARSHAD | Signed | | Date | 15/12/23 |
| Drawn | HARSHAD | Signed | | Date | 15/12/23 |
| Checked | Checked | Signed | | Date | Date3 |
| Approved | Approved | Signed | | Date | Date4 |

| | | | |
|-----------------------|-------------------------|---------------|--------------|
| Scale(s) | R.T.D | ELR & Mileage | ELR&Mileage |
| Alternative Reference | | | Sheet |
| Drawing Number | 8312-POI-DRG-CIV-100016 | | 01 of 01 |
| | | | Revision P02 |