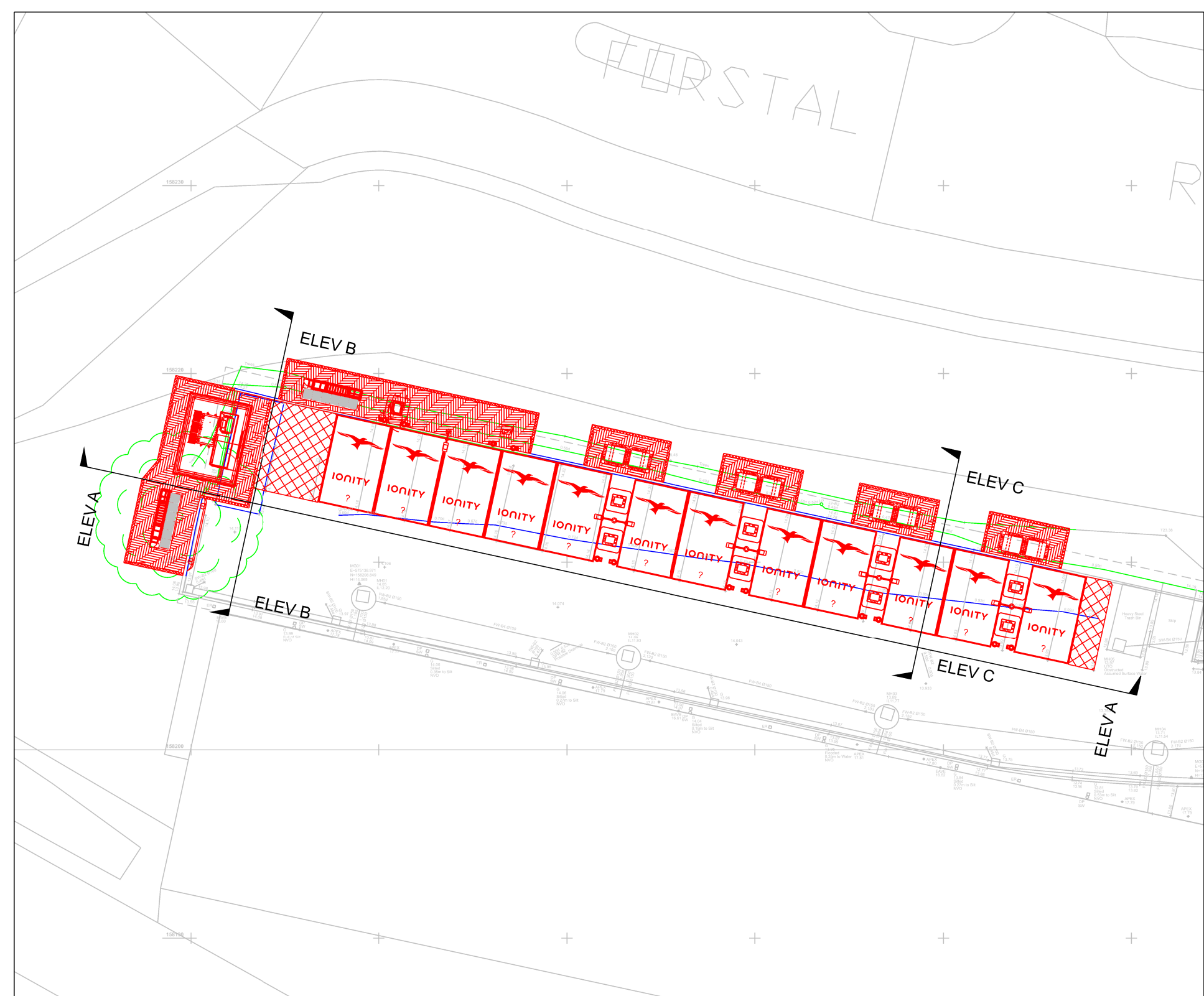
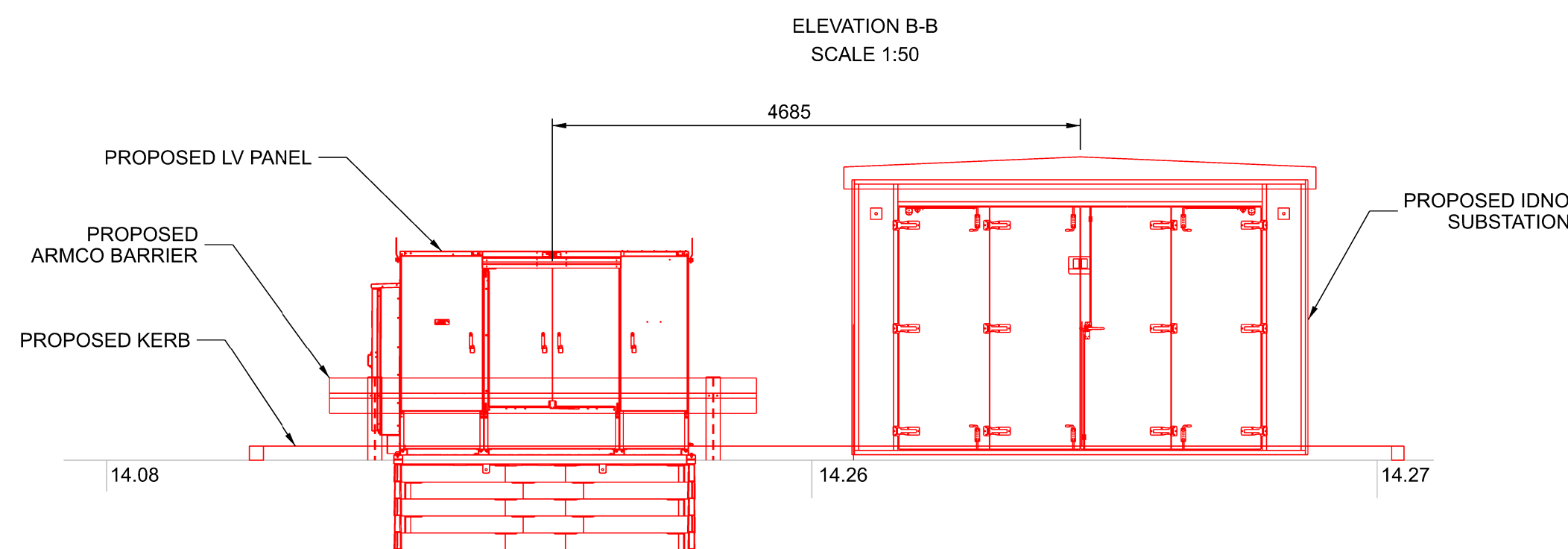


CHARGING BAYS LAYOUT

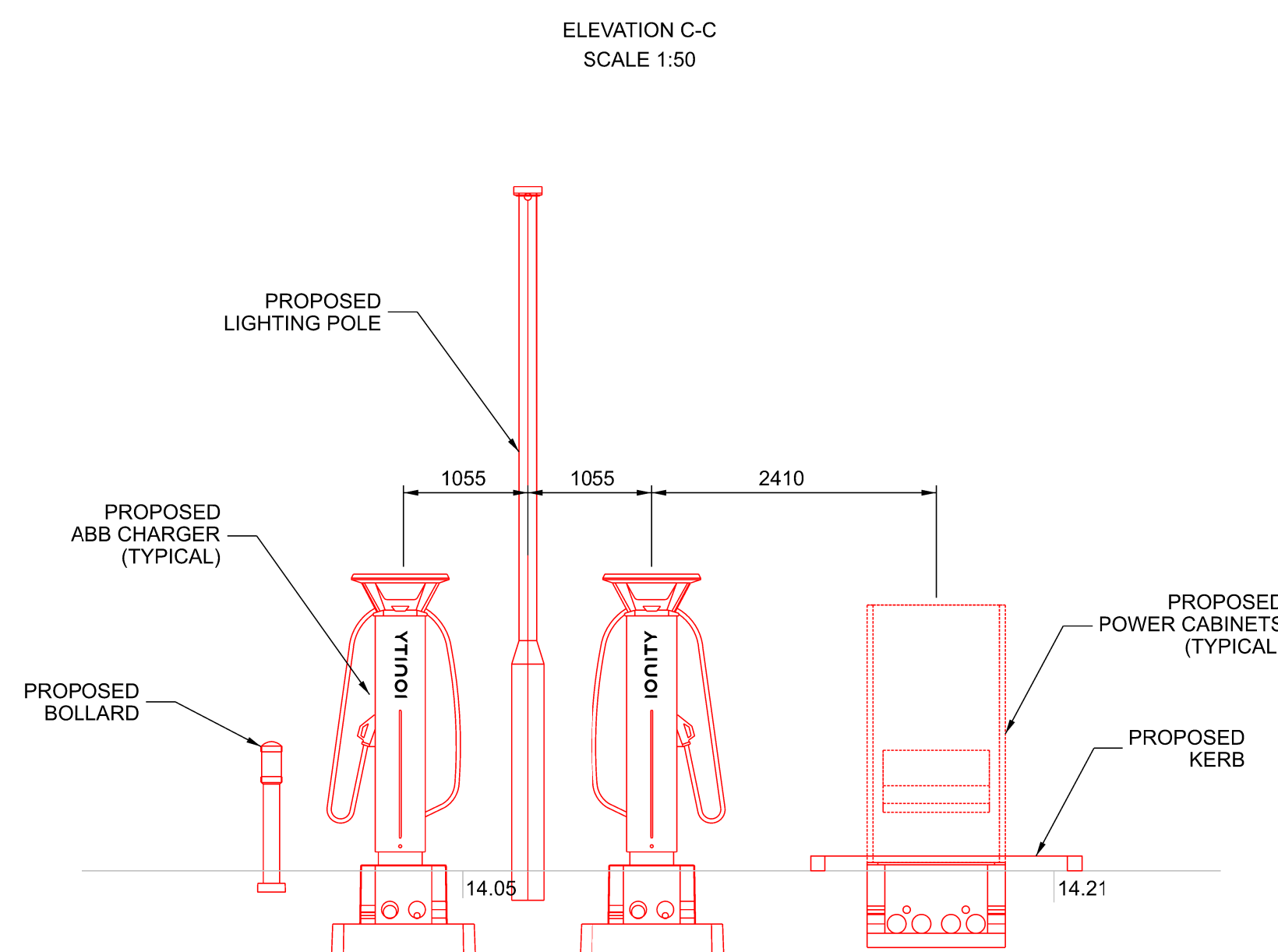
1:250



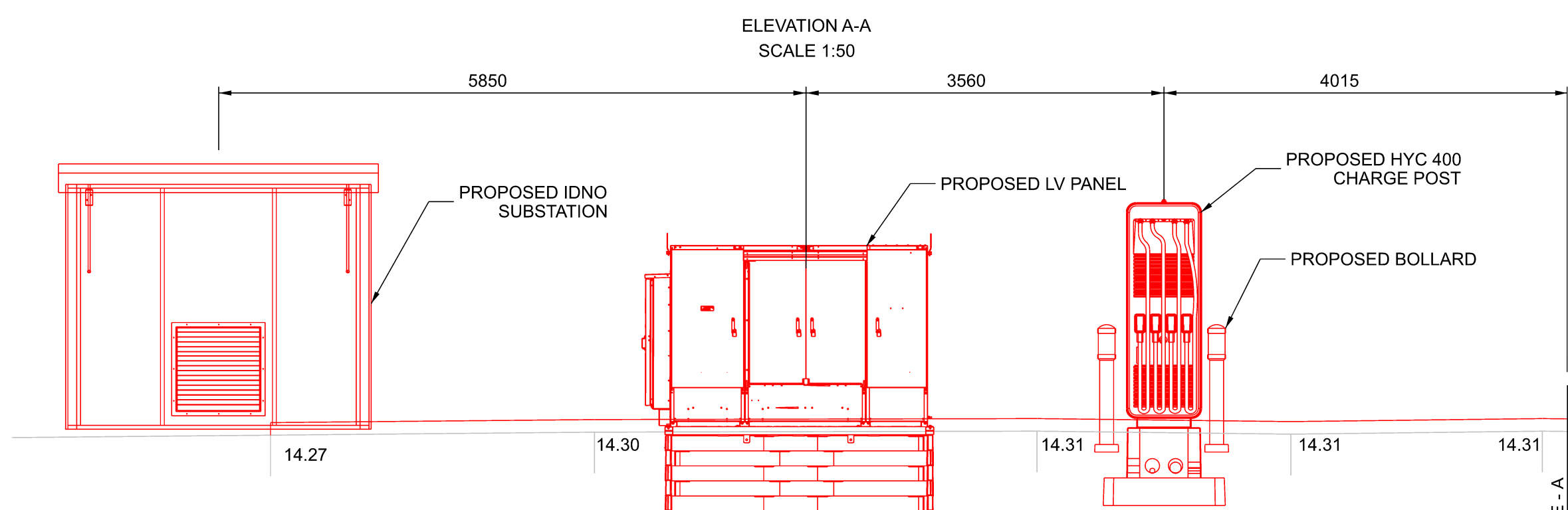
0 5 10 15 20 25m
SCALE 1:250



ELEVATION B-B
SCALE 1:50

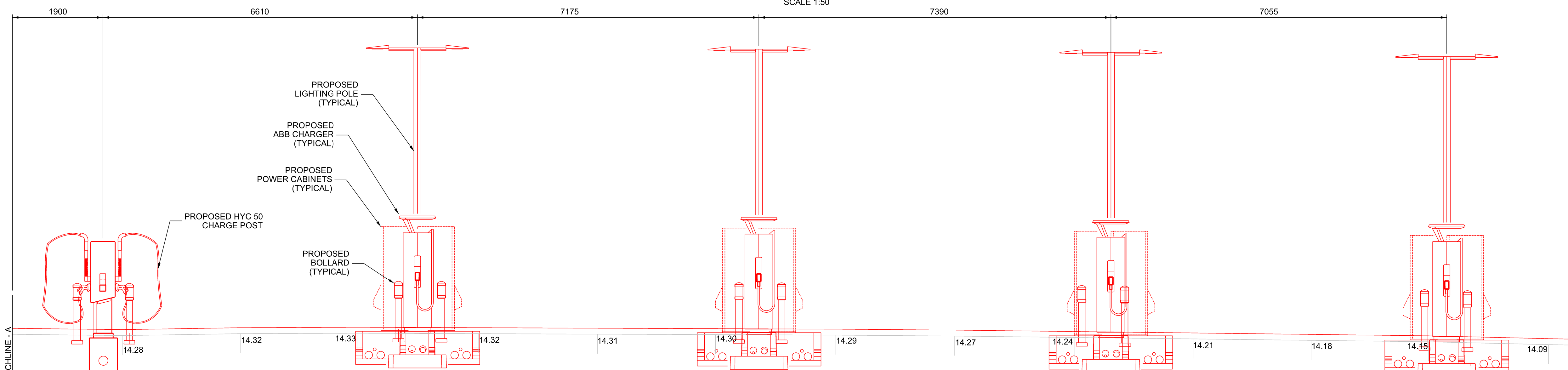


ELEVATION C-C
SCALE 1:50



ELEVATION A-A
SCALE 1:50

ELEVATION A-A
SCALE 1:50



0 1 2 3 4 5m
SCALE 1:50

NOTES:
1. ALL DIMENSIONS ARE IN MILLIMETRES (mm) AND LEVELS ARE IN METERS (m) UNLESS STATED OTHERWISE.

COLOUR CONVENTIONS
BLACK - EXISTING OR UNCHANGED
BLUE - MODIFIED OR TO BE MOVED
GREEN - REDUNDANT OR TO BE REMOVED
RED - PROPOSED OR ADDITIONAL
PURPLE - WORKS FOR FUTURE

Rev	Date	Description of Revisions	Drawn	Chkd	Appr
P02	08/02/24	ISSUED FOR REVIEW	HP	Chk	App
P01	15/12/23	ISSUED FOR REVIEW	HP	Chk	App

S0 - WORK IN PROGRESS



Poise Group Ltd
124 City Road
London
EC1V 2NX

Contractor(s)



Ionity GmbH
Moosacher Strasse 84,
D-80809 Munich
Germany

Project

IONITY
VILLAGE HOTEL
MAIDSTONE

Drawing Title

PROPOSED ELEVATION

Designed	HARSHAD	Signed		Date	15/12/23
Drawn	HARSAHD	Signed		Date	15/12/23
Checked	Checked	Signed		Date	Date3
Approved	Approved	Signed		Date	Date4

Scale(s) R.T.D ELR & Mileage ELR&Mileage

Alternative Reference Alternative Reference Sheet 01 of 01

Drawing Number 8312-POI-DRG-CIV-100015 Revision P02