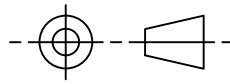


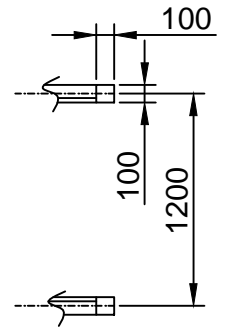
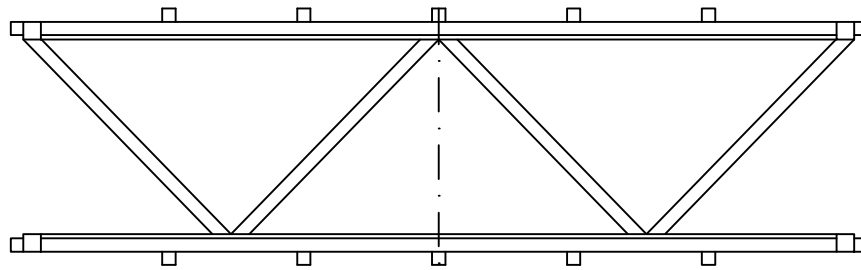
DRAWING NO.

**CROSS BRACING**

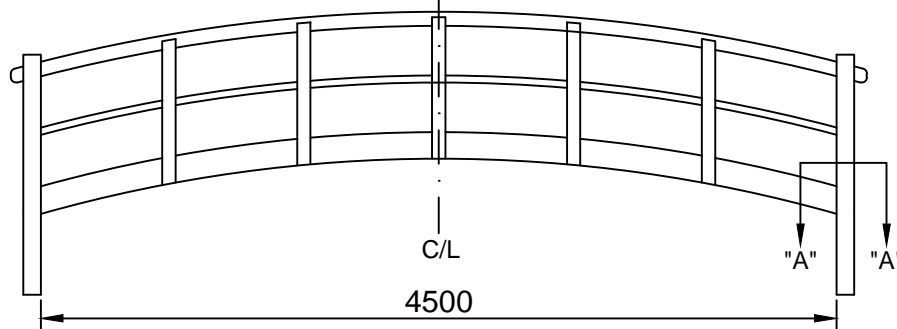
IF IN DOUBT - ASK!



DO NOT SCALE



SECTION "A" - "A"



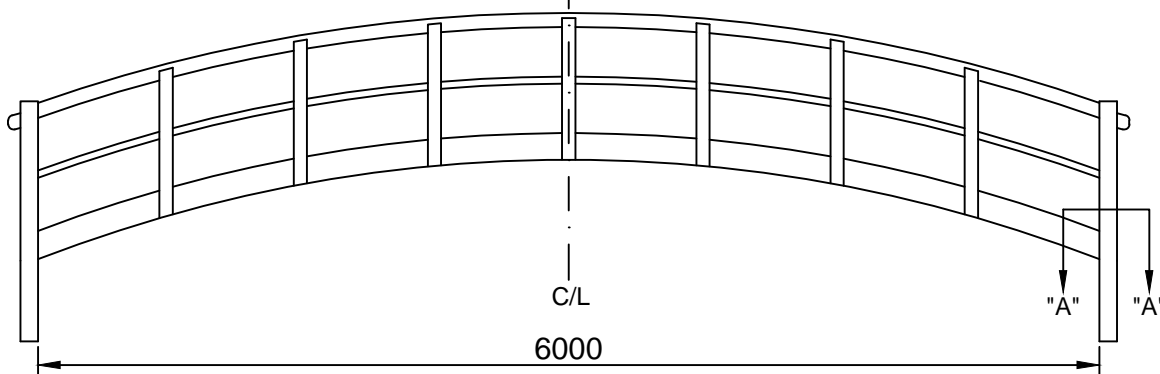
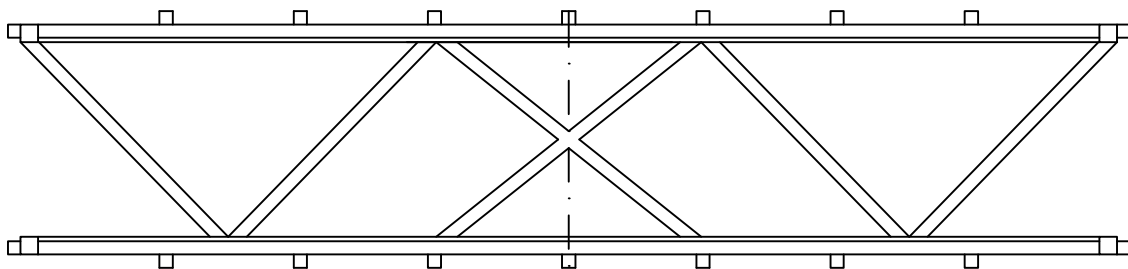
C/L

4500

"A"

"A"

CROSS BRACING - 4.5M (15 FOOT) TO 6M (20 FOOT) SPAN



C/L

6000

"A"

"A"

CROSS BRACING - OVER 6M (20 FOOT) SPAN



COULSON'S BRIDGES  
THE BARN, UPPER HOLTON,  
HALESWORTH,  
SUFFOLK, IP19 8QP

TEL: +44 (0)1986 875016  
MOB: +44 (0)7920 050825  
Email: sales@coulsonsbridges.co.uk  
Web: www.coulsonsbridges.co.uk

ISSUE	1																				
DATE																					
MOD. No.																					

SCALE  
NOT TO SCALE

ORIGINAL  
DATE  
25/08/15

THIS DRAWING IS THE PROPERTY OF COULSON'S BRIDGES. COPYRIGHT IS STRICTLY RESERVED.  
IT MAY NOT BE REPRODUCED OR COPIED IN WHOLE OR IN PART NOR ANY OF ITS CONTENTS BE REVEALED TO  
ANY THIRD PARTY WITHOUT PRIOR AUTHORITY. IT IS RETURNABLE ON DEMAND.

DIMENSIONS IN MILLIMETRES

A  
3