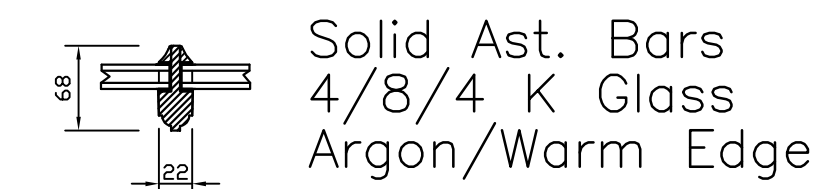
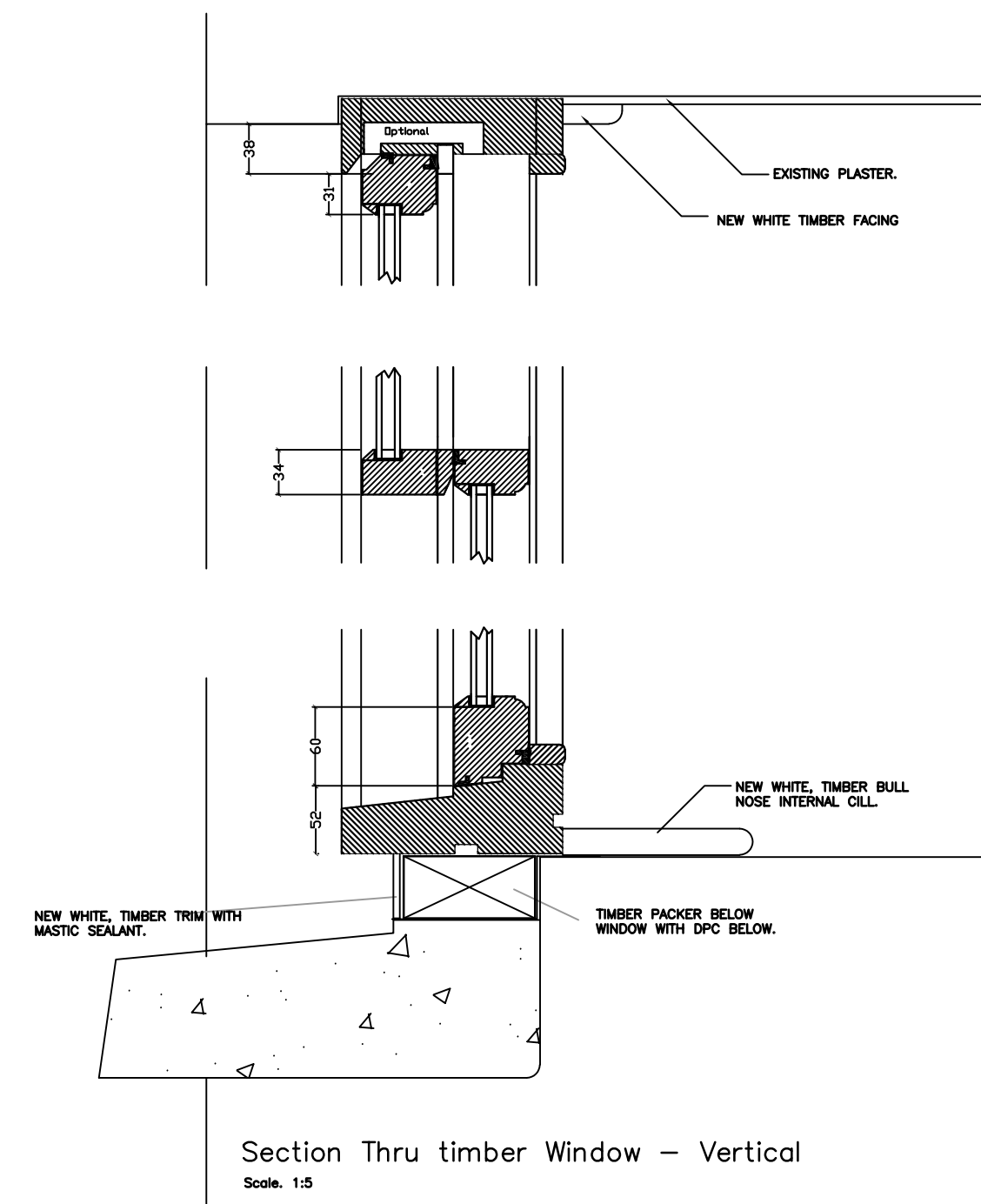
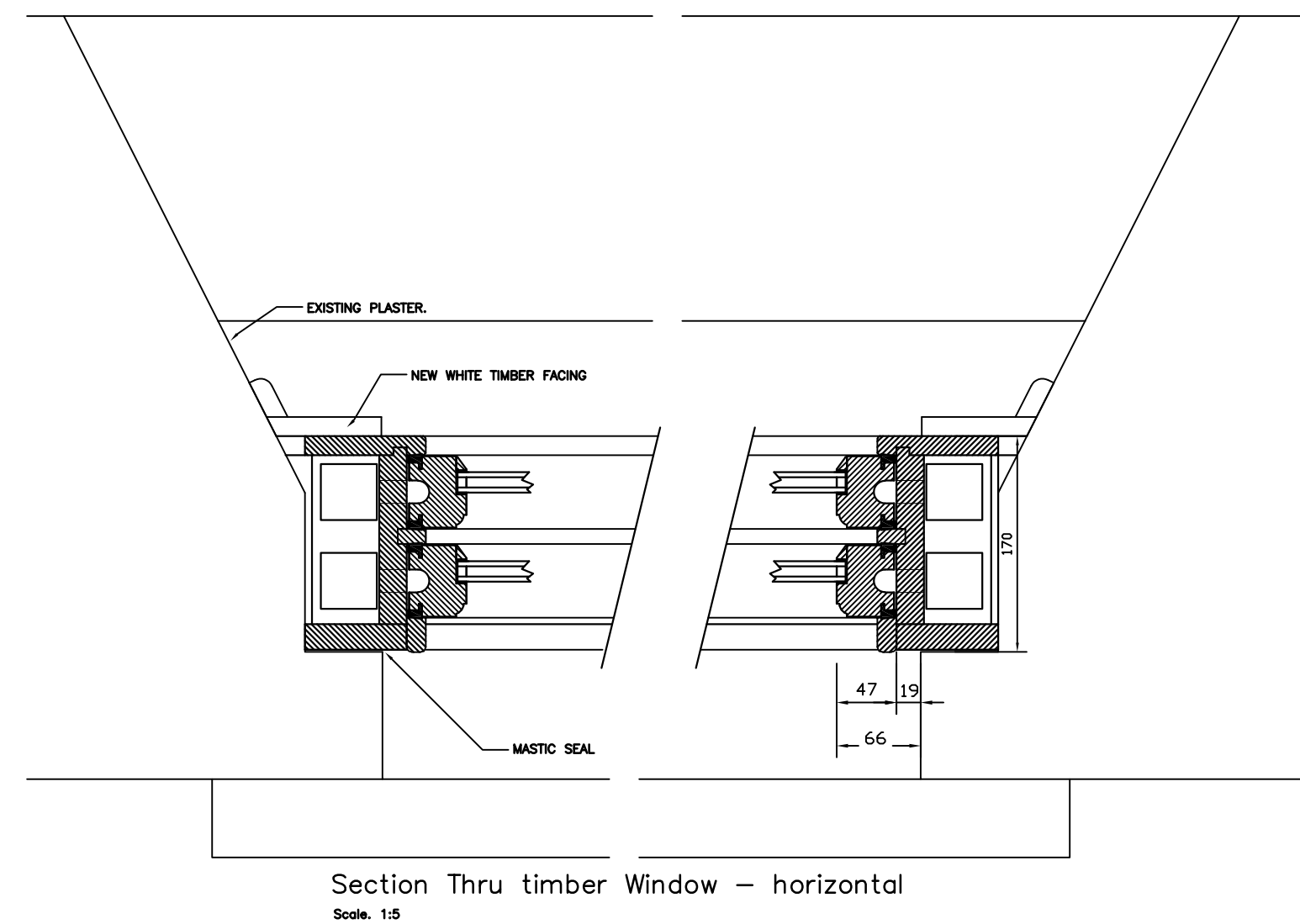
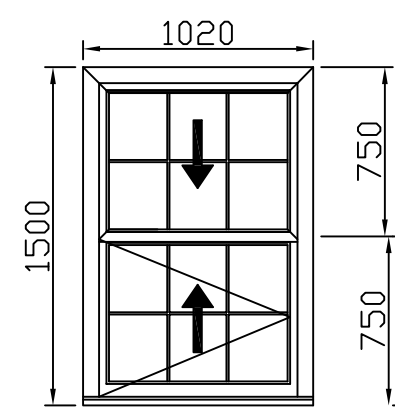


Scale 1:50

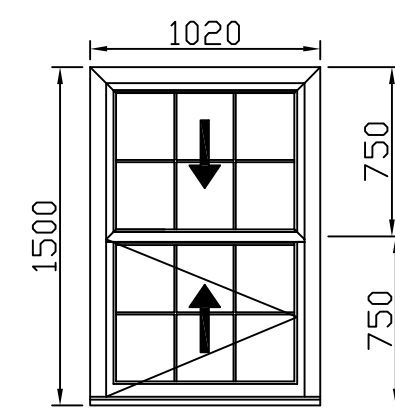


22mm Solid Astragal Bars



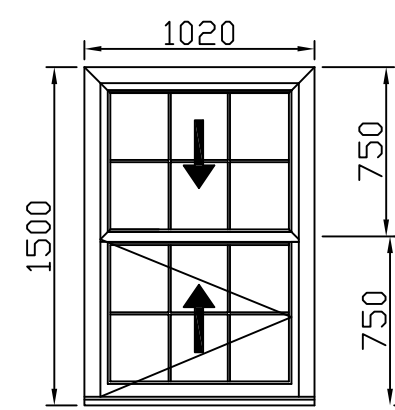
W1

Living room
sash and case window
Material - timber
colour - white
window size: 1020 x 1500 mm
Simplex hinges on left from inside
Furniture colour - gold
2 ring pulls on bottom sash and
1 ring pull to top - gold with
security lock
Glass - Low E clear (A Rated)
Spacer - white W/E



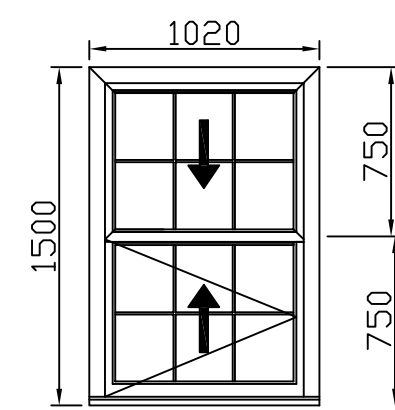
W2

Living room
sash and case window
Material - timber
colour - white
window size: 1020 x 1500 mm
Simplex hinges on left from inside
Furniture colour - gold
2 ring pulls on bottom sash and
1 ring pull to top - gold with
security lock
Glass - Low E clear (A Rated)
Spacer - white W/E



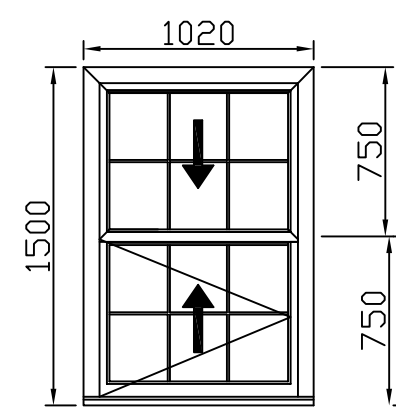
W3

Living room
sash and case window
Material - timber
colour - white
window size: 1020 x 1500 mm
Simplex hinges on left from inside
Furniture colour - gold
2 ring pulls on bottom sash and
1 ring pull to top - gold with
security lock
Glass - Low E clear (A Rated)
Spacer - white W/E



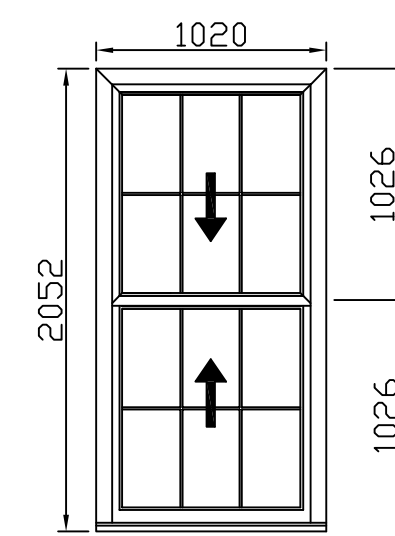
W4

Hall
sash and case window
Material - timber
colour - white
window size: 1020 x 1500 mm
Simplex hinges on left from inside
Furniture colour - gold
2 ring pulls on bottom sash and
1 ring pull to top - gold with
security lock
Glass - Low E clear (A Rated)
Spacer - white W/E



W5

Bedroom
sash and case window
Material - timber
colour - white
window size: 1020 x 1500 mm
Simplex hinges on left from inside
Furniture colour - gold
2 ring pulls on bottom sash and
1 ring pull to top - gold with
security lock
Glass - Low E clear (A Rated)
Spacer - white W/E



W6

Downstairs hall
sash and case window
Material - timber
colour - white
window size: 1020 x 2052 mm
Simplex hinges on left from inside
Furniture colour - gold
2 ring pulls on bottom sash and
1 ring pull to top - gold with
security lock
Glass - Low E clear (A Rated)
toughened lower pane
Spacer - white W/E

Status:
Planning

Note:
Mitchell Glass does not accept liability for accuracy or veracity of survey information provided by others and used in the preparation of this drawing.

All vertical and horizontal dimensions and levels must be checked and verified on site.

Drawings are to be read in conjunction with Structural Engineers specification where applicable.

Unless otherwise assigned, the copyright of this drawing is reserved by Mitchell Glass.

Do not scale from this drawing, refer to stated dimensions only.

Amendments:

MitchellGlass
SUPERIOR HOME LIVING SINCE 1875

Currie Road
Galashiels
TD1 2BP



01896 752628
www.mitchellglass.co.uk

Project:
Mrs Lynn Noble
6C High Street,
Hawick TD9 9EH

Drawing:
Details & window spec

Date: June 2023 Scale: 1:5 & 1:50 @ A1

Drawn: Checked: SS

Drawing No.
31037 (Noble) 301