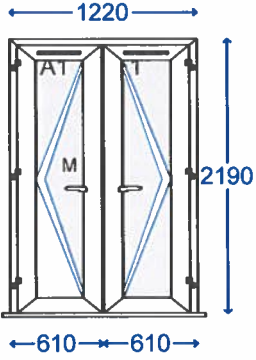
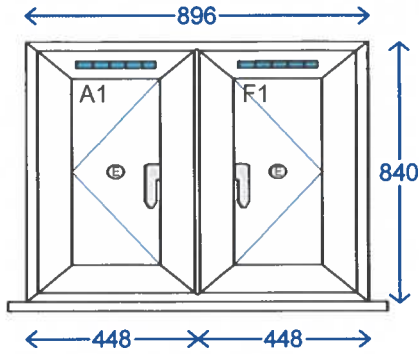


## Order Acknowledgement

Customer & Order Information	
ASPIRE EXTENSIONS LTD unglazed BRIDGE FARM LEDBURN LEIGHTON BUZZARD	Job No : 576204 Production Date : Delivery Date : 22-Jan-2024 Processed Date : 11-Jan-2024 Printed Date : 8-Feb-2024 Order Date : 11-Jan-2024
LU7 0QD Tel : 01908 886280 Fax :	<b>Job Spec</b> Unglazed / Supply Only (Deliver
Job Reference : LAFORT/EAST COURT	

1	LINIAR Chamf French Door O/A Sizes 1220mm x 2220mm (Style 1)			
				
<b>GAN272T SILVER ALI THRESHOLD</b>				
Specification	Chk	Chk		
Frame (Head)	LCW016 77mm Chamf Large Frame	[ ] Frame (Cill)	LCW016 77mm Chamf Large Frame	[ ]
Frame (Left jamb)	LCW016 77mm Chamf Large Frame	[ ] Frame (Right jamb)	LCW016 77mm Chamf Large Frame	[ ]
<b>Threshold</b>	<b>GAN272T NEW SILV Ali Threshold</b>	[ ] Sash	LCW036/037 107mm T/Z Sash	[ ]
Cill	LSL180 180mm cill	[ ] <b>Ventilator (Sash)</b>	<b>2500mm<sup>2</sup> Slot Vent</b>	[ ]
Colour	White	[ ] Sash colour	White	[ ]
Cill colour	White	[ ] <b>Drainage</b>	<b>Face drain</b>	[ ]
<b>Open in/out</b>	<b>Open out</b>	[ ] <b>Bead type</b>	<b>LSW041 28mm Sculptured bead</b>	[ ]
Handle	2 x White Lever/Lever	[ ] Restrictor	Door Restrictor	[ ]
<b>Door hinge</b>	<b>Hybrid Hinge - White</b>	[ ] <b>Door lock</b>	<b>New Millenco</b>	[ ]
<b>Cylinder</b>	<b>Orion 3 Star cylinder</b>	[ ] <b>Master leaf</b>	<b>Left leaf</b>	[ ]
Door hinge quantity	3 hinges	[ ] Viewed from	Viewed from outside	[ ]
Glazed in/out	Glazed in	[ ] <b>Hinge protectors</b>	<b>Dog bolts</b>	[ ]
Door hinge colour	(refer to door hinge)	[ ]		[ ]
Glazing Details & Apertures				
4-20-4 Clr Tuff Float/ Pilkinton KS : 20mm Black Thermobar		Argon Gas Fillec		
A1 - (371 x 1945) F1 - (371 x 1945)				

<b>2</b>	<b>LINIAR Chamf Casement</b> O/A Sizes 896mm x 870mm (Style 28)
	BASEMENT

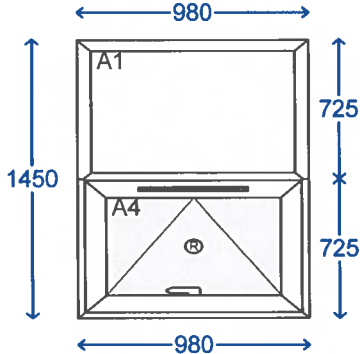


MIXED DRAINAGE JOB

Specification		Chk		Chk
Frame (Head)	LCW012 57mm Chamf En+ Frame	<input type="checkbox"/>	Frame (Cill)	LCW012 57mm Chamf En+ Frame <input type="checkbox"/>
Frame (Left jamb)	LCW012 57mm Chamf En+ Frame	<input type="checkbox"/>	Frame (Right jamb)	LCW012 57mm Chamf En+ Frame <input type="checkbox"/>
Sash	LCW033 Chamf Energy+ T Sash	<input type="checkbox"/>	Cill	LSL150 150mm cill <input type="checkbox"/>
<b>Ventilator (Sash)</b>	<b>2500mm<sup>2</sup> Slot Vent</b>	<input type="checkbox"/>	Colour	White <input type="checkbox"/>
Sash colour	White	<input type="checkbox"/>	Cill colour	White <input type="checkbox"/>
Drainage	Concealed/ base	<input type="checkbox"/>	<b>Open in/out</b>	<b>Open out</b> <input type="checkbox"/>
<b>Bead type</b>	<b>LSW041 28mm Sculptured bead</b>	<input type="checkbox"/>	<b>Handle</b>	<b>11 White Cranked Handle</b> <input type="checkbox"/>
Casement locking	Shootbolt	<input type="checkbox"/>	<b>Friction stay</b>	<b>Egress easyclean</b> <input type="checkbox"/>
Viewed from	Viewed from outside	<input type="checkbox"/>	Glazed in/out	Glazed in <input type="checkbox"/>

Glazing Details & Apertures	
4-20-4 Clr Float/ Pilkington KS : 20mm Black Thermobar	Araon Gas Fillec
A1 - (292 x 661)      F1 - (292 x 661)	

<b>3</b>	<b>LINIAR Chamf Casement</b> O/A Sizes 980mm x 1450mm (Style 7)
	REAR BED



Specification		Chk		Chk
Frame (Head)	LCW012 57mm Chamf En+ Frame	<input type="checkbox"/>	Frame (Cill)	LCW012 57mm Chamf En+ Frame <input type="checkbox"/>
Frame (Left jamb)	LCW012 57mm Chamf En+ Frame	<input type="checkbox"/>	Frame (Right jamb)	LCW012 57mm Chamf En+ Frame <input type="checkbox"/>
Sash	LCW033 Chamf Energy+ T Sash	<input type="checkbox"/>	<b>Cill</b>	<b>No cill</b> <input type="checkbox"/>
<b>Ventilator (Sash)</b>	<b>5000mm<sup>2</sup> Slot Vent</b>	<input type="checkbox"/>	Colour	White <input type="checkbox"/>
Sash colour	White	<input type="checkbox"/>	<b>Drainage</b>	<b>Face drain</b> <input type="checkbox"/>
<b>Open in/out</b>	<b>Open out</b>	<input type="checkbox"/>	<b>Bead type</b>	<b>LSW041 28mm Sculptured bead</b> <input type="checkbox"/>
<b>Handle</b>	<b>11 White Cranked Handle</b>	<input type="checkbox"/>	Casement locking	Shootbolt <input type="checkbox"/>
<b>Friction stay</b>	<b>Restrictor</b>	<input type="checkbox"/>	Viewed from	Viewed from outside <input type="checkbox"/>
Glazed in/out	Glazed in	<input type="checkbox"/>		

Glazing Details & Apertures	
4-20-4 Clr Float/ Pilkington KS : 20mm Black Thermobar	Araon Gas Fillec
A1 - (896 x 664)	
4-20-4 Clr Tuff Float/ Pilkington KS : 20mm Black Thermobar	Araon Gas Fillec
A4 - (801 x 569)	

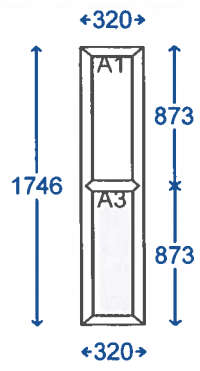
<b>4</b>	<b>LINIAR Chamf Casement</b> O/A Sizes 1060mm x 1590mm (Style 7)				
F BED R					
<b>Specification</b>		<b>Chk</b>		<b>Chk</b>	
Frame (Head)	LCW012 57mm Chamf En+ Frame	<input type="checkbox"/>	Frame (Cill)	LCW012 57mm Chamf En+ Frame	<input type="checkbox"/>
Frame (Left jamb)	LCW012 57mm Chamf En+ Frame	<input type="checkbox"/>	Frame (Right jamb)	LCW012 57mm Chamf En+ Frame	<input type="checkbox"/>
Sash	LCW033 Chamf Energy+ T Sash	<input type="checkbox"/>	<b>Cill</b>	<b>No cill</b>	<input type="checkbox"/>
<b>Ventilator (Sash)</b>	<b>5000mm<sup>2</sup> Slot Vent</b>	<input type="checkbox"/>	Colour	White	<input type="checkbox"/>
Sash colour	White	<input type="checkbox"/>	<b>Drainage</b>	<b>Face drain</b>	<input type="checkbox"/>
<b>Open in/out</b>	<b>Open out</b>	<input type="checkbox"/>	<b>Bead type</b>	<b>LSW041 28mm Sculptured bead</b>	<input type="checkbox"/>
<b>Handle</b>	<b>11 White Cranked Handle</b>	<input type="checkbox"/>	Casement locking	Shootbolt	<input type="checkbox"/>
<b>Friction stay</b>	<b>Restrictor</b>	<input type="checkbox"/>	Viewed from	Viewed from outside	<input type="checkbox"/>
Glazed in/out	Glazed in	<input type="checkbox"/>			
<b>Glazing Details &amp; Appertures</b>					
4-20-4 Clr Float/ Pilkington KS : 20mm Black Thermobar		Araon Gas Fillec			
A1 - (976 x 734)					
4-20-4 Clr Tuff Float/ Pilkington KS : 20mm Black Thermobar		Araon Gas Fillec			
A4 - (881 x 639)					

<b>5</b>	<b>LINIAR Chamf Casement</b> O/A Sizes 1050mm x 1586mm (Style 7)				
F BED L					
<b>Specification</b>		<b>Chk</b>		<b>Chk</b>	
Frame (Head)	LCW012 57mm Chamf En+ Frame	<input type="checkbox"/>	Frame (Cill)	LCW012 57mm Chamf En+ Frame	<input type="checkbox"/>
Frame (Left jamb)	LCW012 57mm Chamf En+ Frame	<input type="checkbox"/>	Frame (Right jamb)	LCW012 57mm Chamf En+ Frame	<input type="checkbox"/>
Sash	LCW033 Chamf Energy+ T Sash	<input type="checkbox"/>	<b>Cill</b>	<b>No cill</b>	<input type="checkbox"/>
<b>Ventilator (Sash)</b>	<b>5000mm<sup>2</sup> Slot Vent</b>	<input type="checkbox"/>	Colour	White	<input type="checkbox"/>
Sash colour	White	<input type="checkbox"/>	<b>Drainage</b>	<b>Face drain</b>	<input type="checkbox"/>
<b>Open in/out</b>	<b>Open out</b>	<input type="checkbox"/>	<b>Bead type</b>	<b>LSW041 28mm Sculptured bead</b>	<input type="checkbox"/>
<b>Handle</b>	<b>11 White Cranked Handle</b>	<input type="checkbox"/>	Casement locking	Shootbolt	<input type="checkbox"/>
<b>Friction stay</b>	<b>Restrictor</b>	<input type="checkbox"/>	Viewed from	Viewed from outside	<input type="checkbox"/>
Glazed in/out	Glazed in	<input type="checkbox"/>			
<b>Glazing Details &amp; Appertures</b>					
4-20-4 Clr Float/ Pilkington KS : 20mm Black Thermobar		Araon Gas Fillec			
A1 - (966 x 732)					
4-20-4 Clr Tuff Float/ Pilkington KS : 20mm Black Thermobar		Araon Gas Fillec			
A4 - (871 x 637)					

6		LINIAR Chamf Casement O/A Sizes 325mm x 1746mm (Style 2)			
		BAY			
Specification		Chk		Chk	
Frame (Head)	LCW012 57mm Chamf En+ Frame	[ ]	Frame (Cill)	LCW012 57mm Chamf En+ Frame	[ ]
Frame (Left jamb)	LCW012 57mm Chamf En+ Frame	[ ]	Frame (Right jamb)	LCW012 57mm Chamf En+ Frame	[ ]
<b>Cill</b>	<b>No cill</b>	[ ]	Colour	White	[ ]
<b>Drainage</b>	<b>Face drain</b>	[ ]	<b>Bead type</b>	<b>LSW041 28mm Sculptured bead</b>	[ ]
Viewed from	Viewed from outside	[ ]	Glazed in/out	Glazed in	[ ]
Glazing Details & Apertures					
4-20-4 Clr Float/ Pilkington KS : 20mm Black Thermobar		Araon Gas Fillec			
A1 - (241 x 812)					
4-20-4 Clr Tuff Float/ Pilkington KS : 20mm Black Thermobar		Araon Gas Fillec			
A3 - (241 x 812)					

7		LINIAR Chamf Casement O/A Sizes 1045mm x 1746mm (Style 7)			
		BAY			
Specification		Chk		Chk	
Frame (Head)	LCW012 57mm Chamf En+ Frame	[ ]	Frame (Cill)	LCW012 57mm Chamf En+ Frame	[ ]
Frame (Left jamb)	LCW012 57mm Chamf En+ Frame	[ ]	Frame (Right jamb)	LCW012 57mm Chamf En+ Frame	[ ]
Sash	LCW033 Chamf Energy+ T Sash	[ ]	<b>Cill</b>	<b>No cill</b>	[ ]
<b>Ventilator (Sash)</b>	<b>5000mm<sup>2</sup> Slot Vent</b>	[ ]	Colour	White	[ ]
Sash colour	White	[ ]	<b>Drainage</b>	<b>Face drain</b>	[ ]
<b>Open in/out</b>	<b>Open out</b>	[ ]	<b>Bead type</b>	<b>LSW041 28mm Sculptured bead</b>	[ ]
<b>Handle</b>	<b>11 White Cranked Handle</b>	[ ]	Casement locking	Shootbolt	[ ]
<b>Friction stay</b>	<b>Restrictor</b>	[ ]	Viewed from	Viewed from outside	[ ]
Glazed in/out	Glazed in	[ ]			
Glazing Details & Apertures					
4-20-4 Clr Float/ Pilkington KS : 20mm Black Thermobar		Araon Gas Fillec			
A1 - (961 x 812)					
4-20-4 Clr Tuff Float/ Pilkington KS : 20mm Black Thermobar		Araon Gas Fillec			
A4 - (866 x 717)					

<b>8</b>	<b>LINEAR Chamf Casement</b> O/A Sizes 320mm x 1746mm (Style 2)
BAY	



Specification	Chk	Chk
Frame (Head)	LCW012 57mm Chamf En+ Frame	<input type="checkbox"/>
Frame (Left jamb)	LCW012 57mm Chamf En+ Frame	<input type="checkbox"/>
<b>Cill</b>	<b>No cill</b>	<input type="checkbox"/>
<b>Drainage</b>	<b>Face drain</b>	<input type="checkbox"/>
Viewed from	Viewed from outside	<input type="checkbox"/>
	Frame (Cill)	LCW012 57mm Chamf En+ Frame <input type="checkbox"/>
	Frame (Right jamb)	LCW012 57mm Chamf En+ Frame <input type="checkbox"/>
	Colour	White <input type="checkbox"/>
	<b>Bead type</b>	<b>LSW041 28mm Sculptured bead</b> <input type="checkbox"/>
	Glazed in/out	Glazed in <input type="checkbox"/>

Glazing Details & Appertures	
4-20-4 Clr Float/ Pilkinton KS : 20mm Black Thermobar A1 - (236 x 812)	Argon Gas Fillec
4-20-4 Clr Tuff Float/ Pilkinton KS : 20mm Black Thermobar A3 - (236 x 812)	Argon Gas Fillec