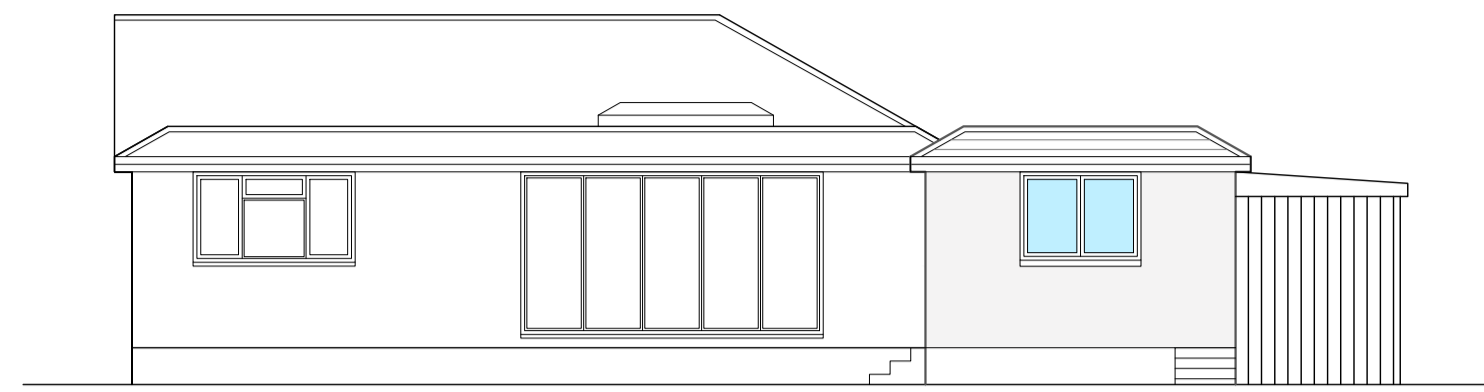
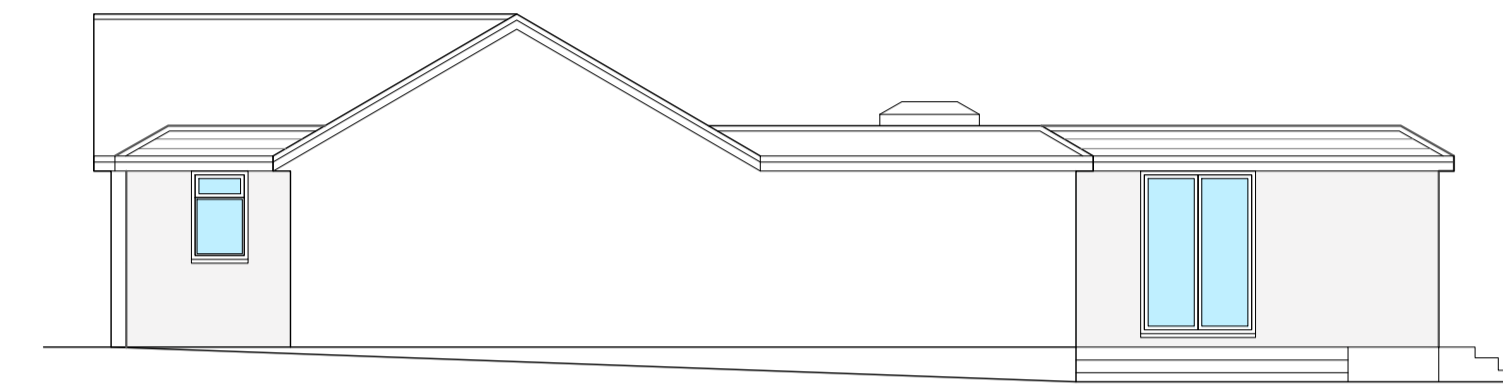


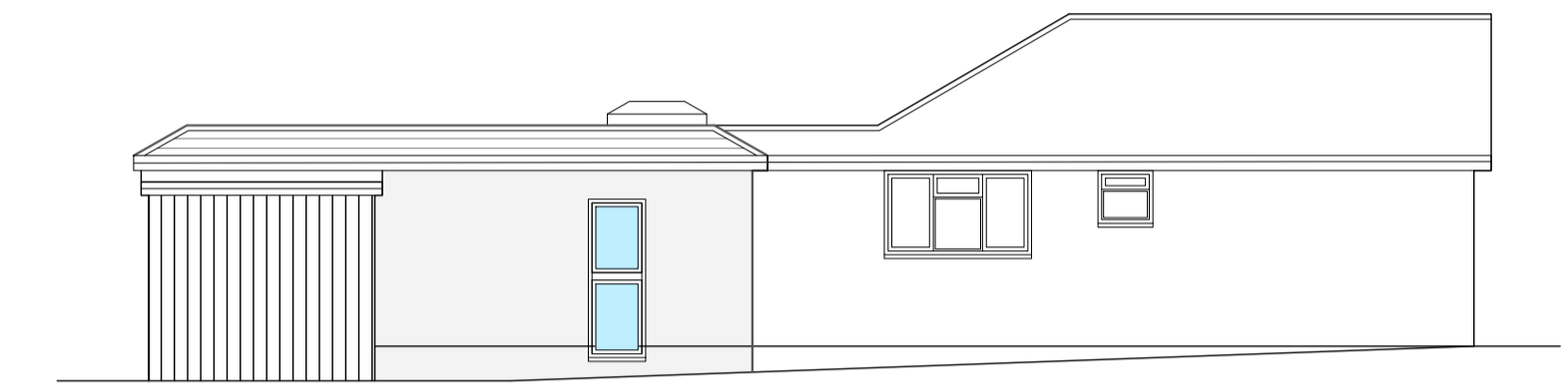
Proposed north elevation  
Scale 1:100 @ A1



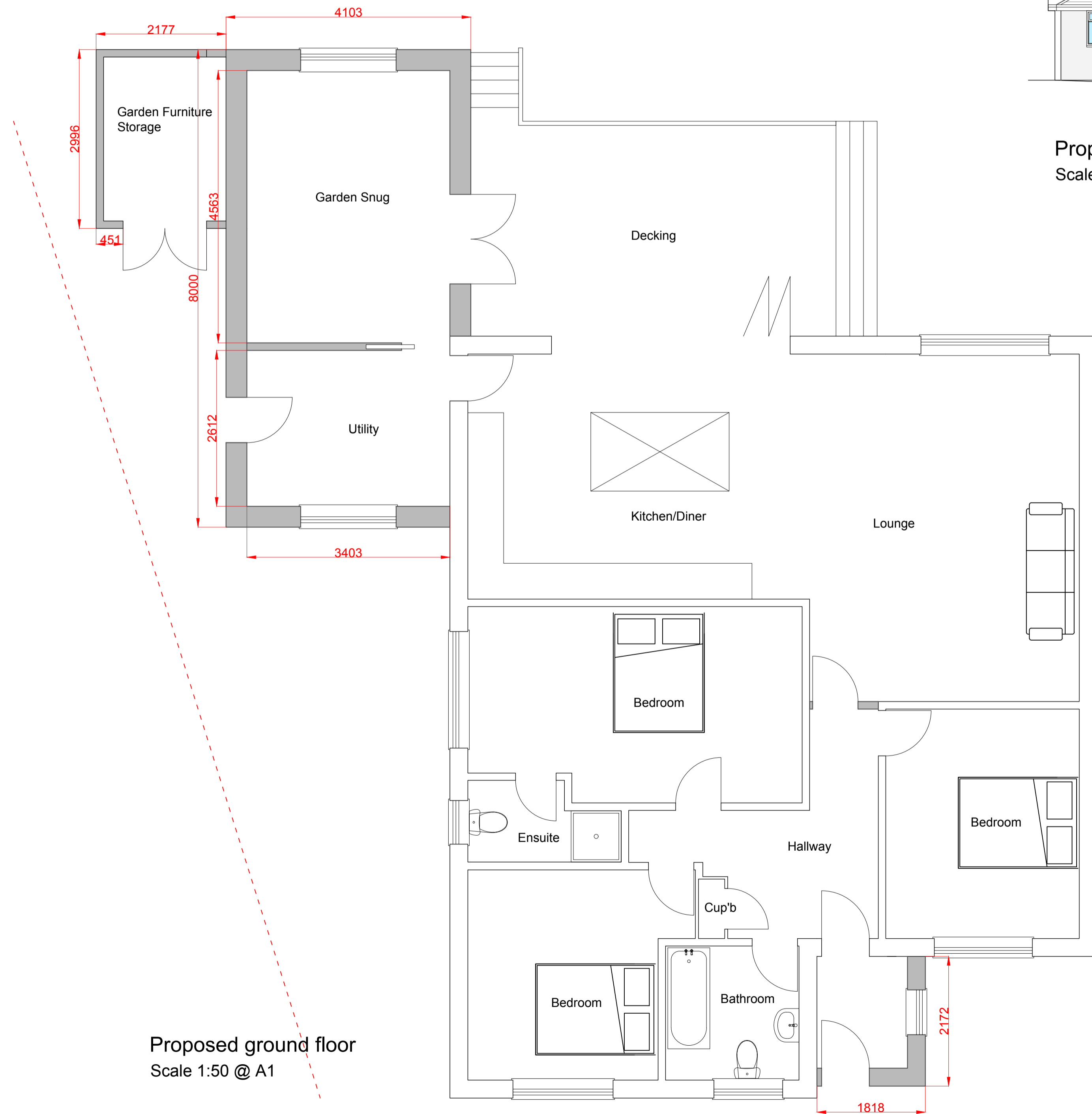
Proposed south elevation  
Scale 1:100 @ A1



Proposed west elevation  
Scale 1:100 @ A1



Proposed east elevation  
Scale 1:100 @ A1

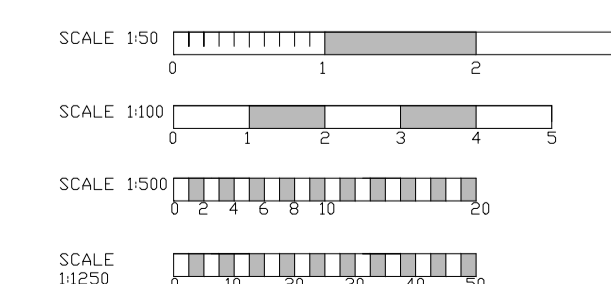


A COPYRIGHT 71D LTD. ALL RIGHTS RESERVED.  
THIS DRAWING MAY NOT BE COPIED OR  
RE-USED IN WHOLE OR IN PART, WITHOUT  
THE WRITTEN CONSENT OF 71D LTD.  
MEASUREMENTS TO CHECKED BY CONTRACTORS  
ON SITE BEFORE COMMENCEMENT OF WORK.

Client : Mr & Mrs Halsey  
Address : 5 Roebuck Close, New Milton,  
Hants BH25 6AJ  
Project : Extension to ground floor  
Title : Proposed site and plans

Drawing N.O : PL MH S2 V1 2024  
Drawn By : Matthew Austin / 71DESIGN  
Date : 22 / 03 / 2024  
Scale : As indicated @ A1

Scale Legend



**71DESIGN** architectural services  
Contact : Matt@71design.net  
Tel : 07866497288