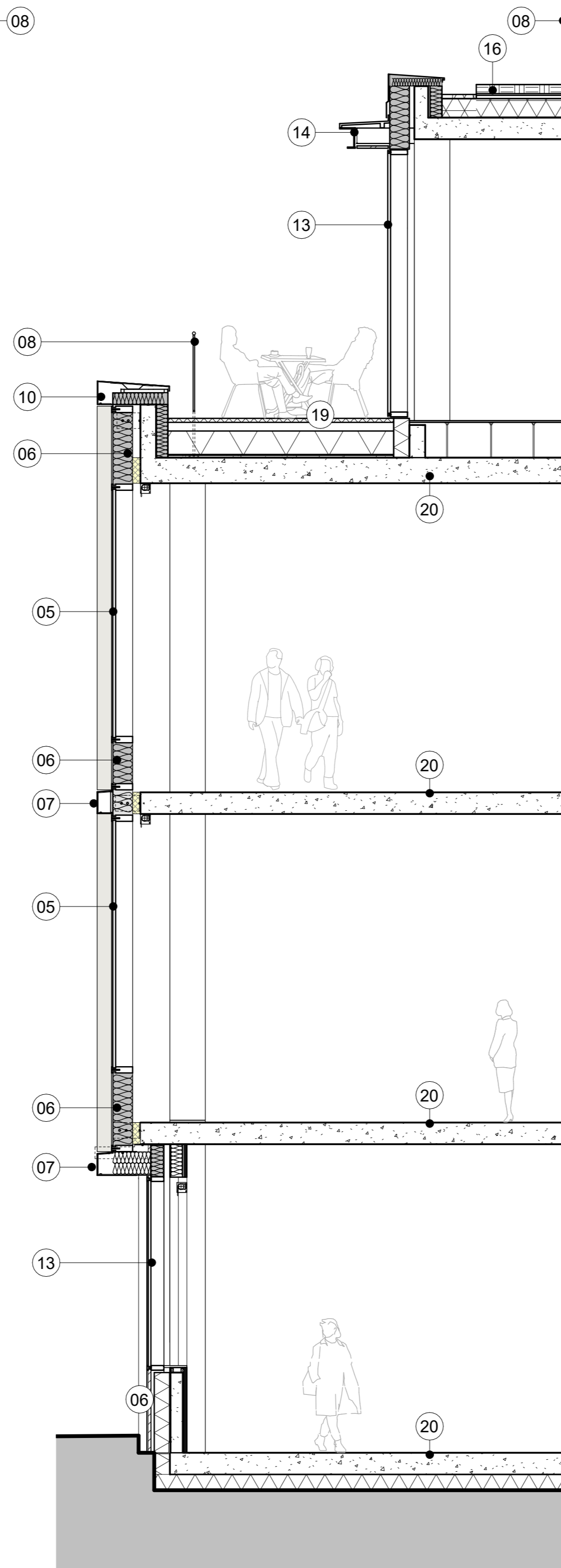
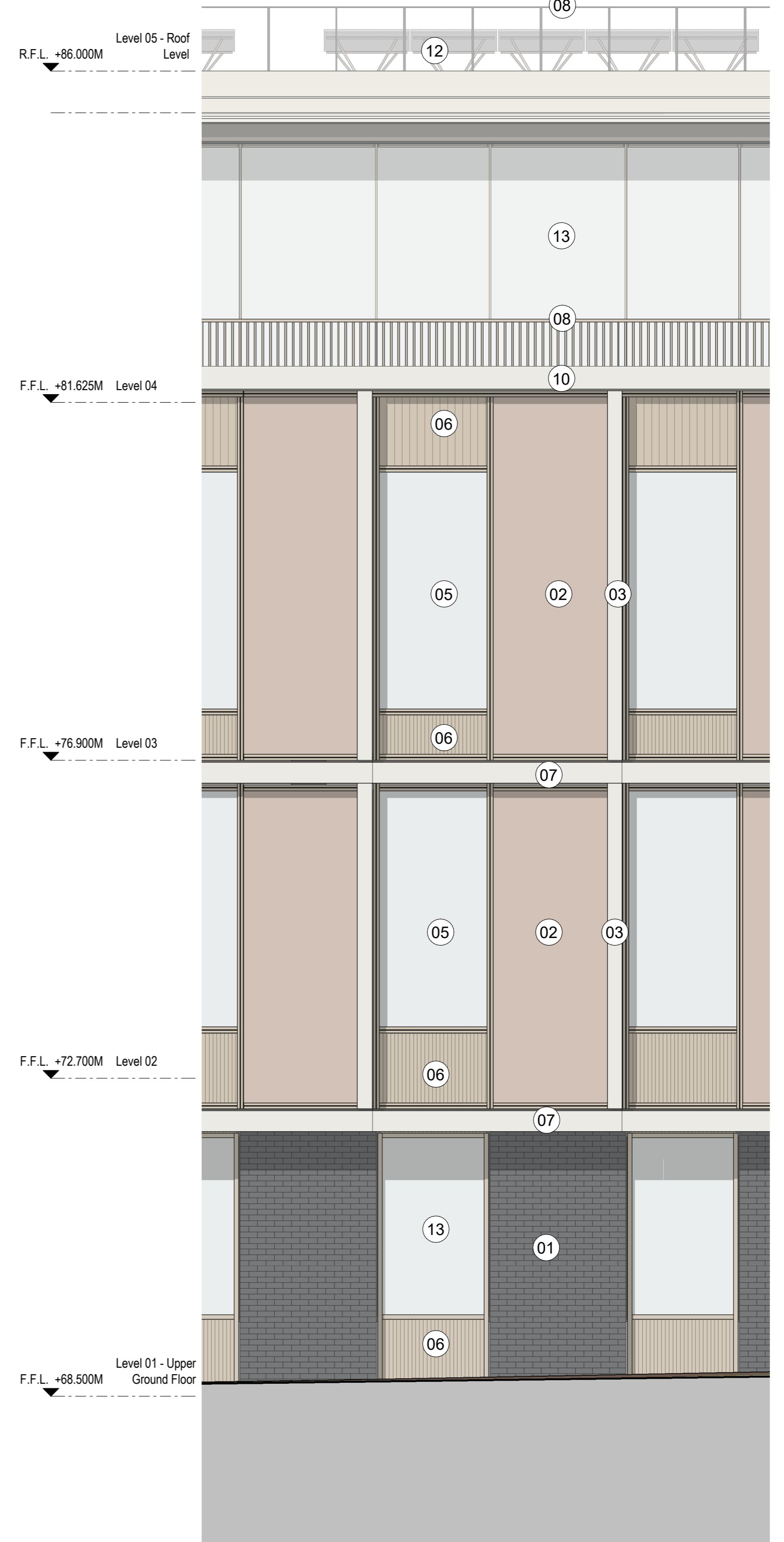


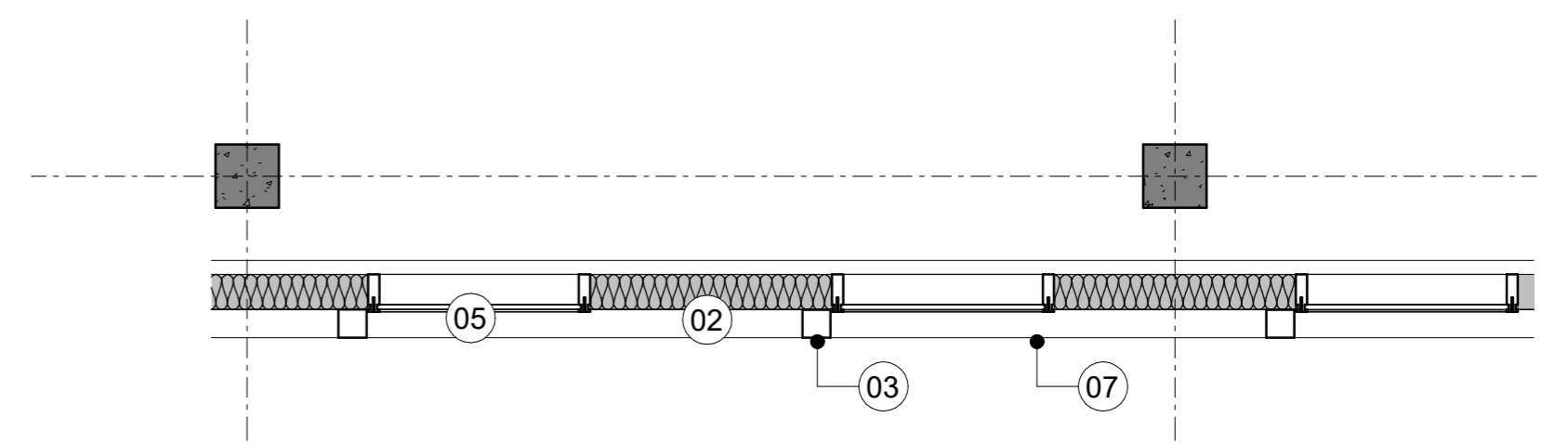
1 Typical Northern Wing Facade Section
1:50



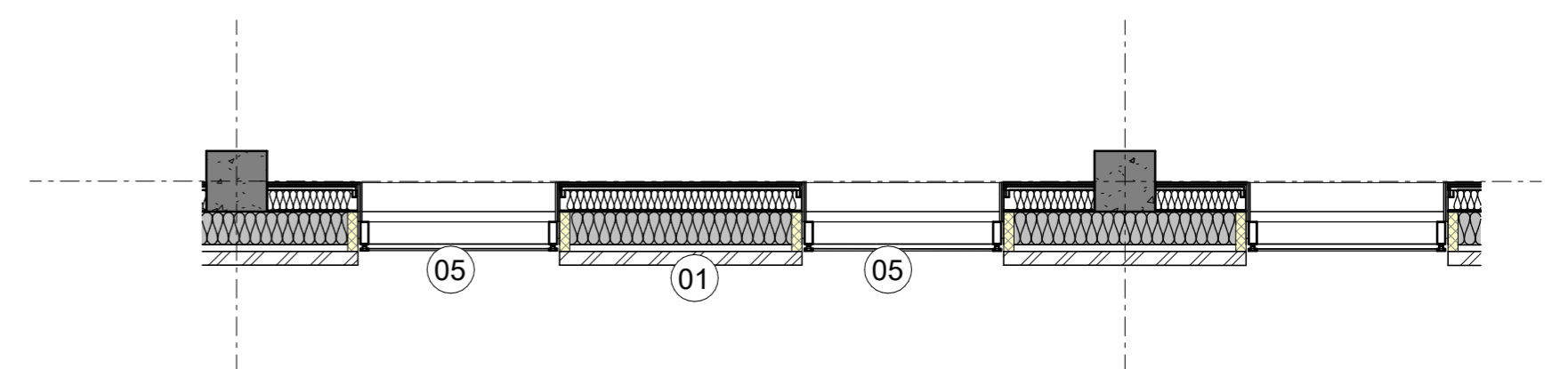
2 Typical Northern Wing Window Section
1:50



3 Typical Northern Wing Bay Elevation
1:50



4 Typical Northern Wing Bay Upper Level Plan
1:50



5 Typical Northern Wing Bay Lower Level Plan
1:50

KEY

- | | |
|---|--|
| 01 - Brickwork Cladding System | 15 - Metal Clad Fume Extract Chimney |
| 02 - Metal Cladding Panel | 16 - Insulated Inverted Green Roof |
| 03 - Folded Metal Vertical Profile | 17 - Warm Sedum Roof |
| 04 - Metal Composite Panelling | 18 - Insulated Inverted Roof with Paving to Terrace |
| 05 - Triple Glazed Unitised Curtain Wall System | 19 - Insulated Inverted Roof with Paving External Plant Area |
| 06 - Patterned Metal Spandrel Panel | 20 - Concrete Structure |
| 07 - Folded Metal Horizontal Profile | 21 - External Metal Soffit |
| 08 - Perimeter Metal Guardrail | 22 - Slatted Timber Ceiling |
| 09 - Metal Roof Edge Coping | 23 - Integrated Planter |
| 10 - Folded Metal Coping | |
| 11 - Vertical Metal Louvred Screen | |
| 12 - Photo-Voltaic Panels | |
| 13 - Double Glazed Curtain Wall System | |
| 14 - Cantilevered Metal Canopy | |

Do not scale. Use figured dimensions only. All dimensions to be checked on site.
All drawings to be read in conjunction with the Architectural Specification.
All drawings to be read in conjunction with the Engineers' documentation.
Any discrepancies between Consultants' drawings to be reported to the Architect before any work commences.
The Contractor's attention is drawn to the Health & Safety matters that have been identified as being potentially hazardous in the Health & Safety Plan. These items should not be considered as a complete and final list.
The work package Contractor's Health & Safety obligations apply to all construction operations.

Issue Status

PLANNING

Client
Oxford North Ventures

WilkinsonEyre

Wilkinson Eyre Architects
33 Bowling Green Lane, London
EC1R 0BJ, United Kingdom
+44 (0) 20 7608 7900 T
+44 (0) 20 7608 7901 F
www.wilkinsonseyre.com

Project
Oxford North Plot B
Drawing Title
Northern Wing Typical Bay Study

Scale at A1
As indicated
Drawing and CAD File Number
01997 - WEA - XX - XX - DR - A - P4002
Rev
P02