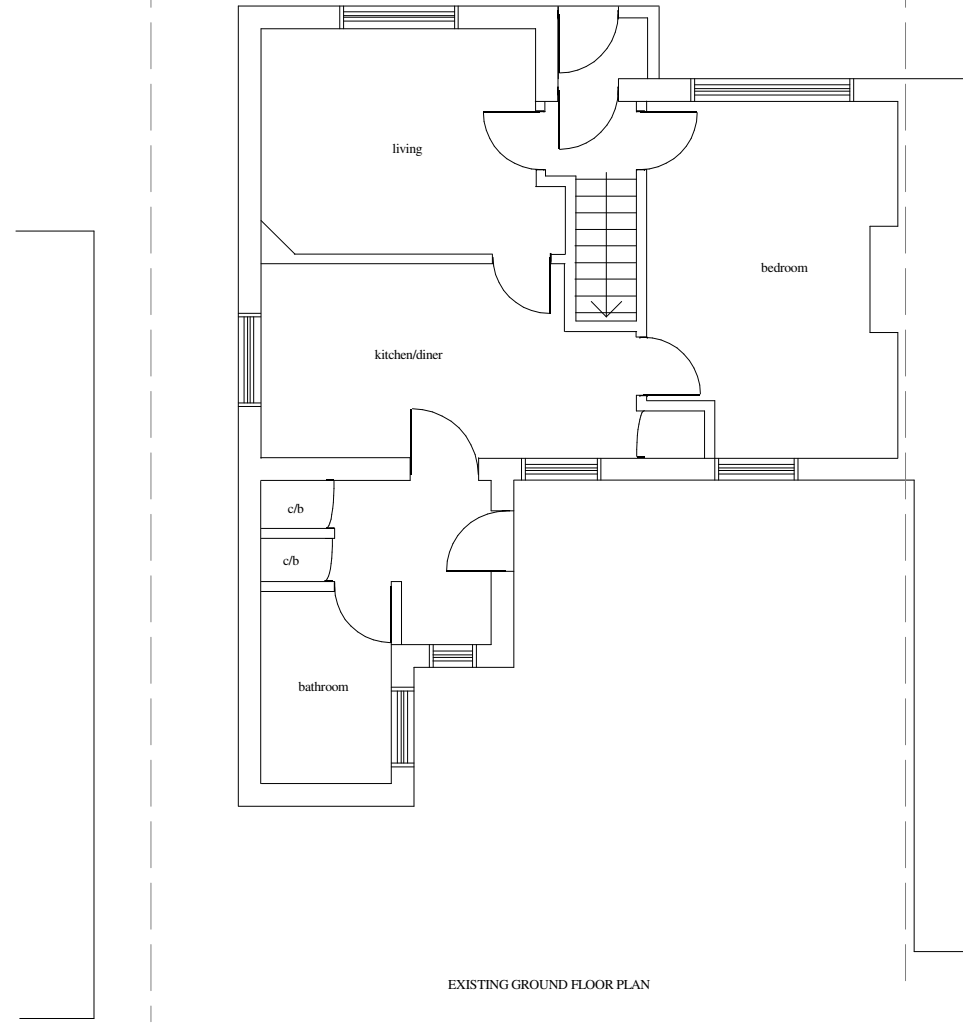
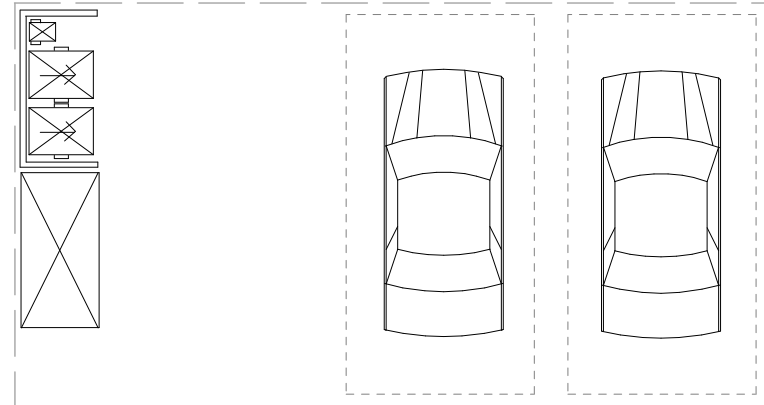


PROJECT
rear extension to g/floor
(already approved);
rear extension to 1st floor
223 London Road

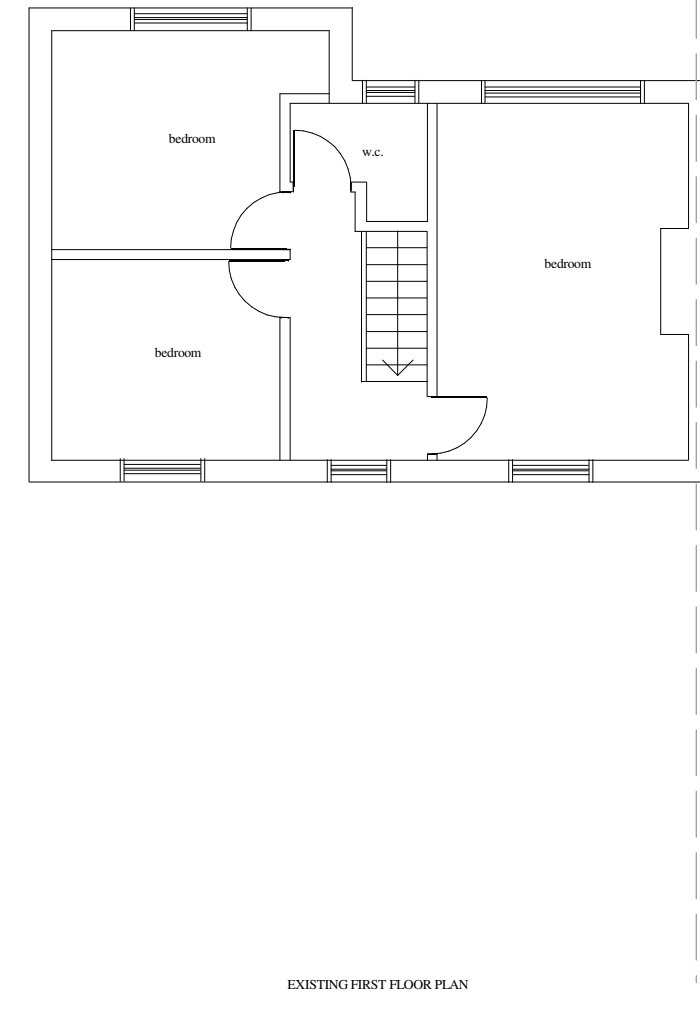
CLIENT
Ms Noreen Sarwar,
190 Headley Way,
Oxford
OX3 7TA

DRAWN BY
James Driscoll
06.02.24
DRAWING NUMBER
223londonroad1.2.3
SCALE - 1:100 @A3

THE ONE-STOP PLANNING SERVICE
18 Dearlove Close,
Abingdon
OX14 1LP
Tel - 07846 962 886



EXISTING GROUND FLOOR PLAN



EXISTING FIRST FLOOR PLAN