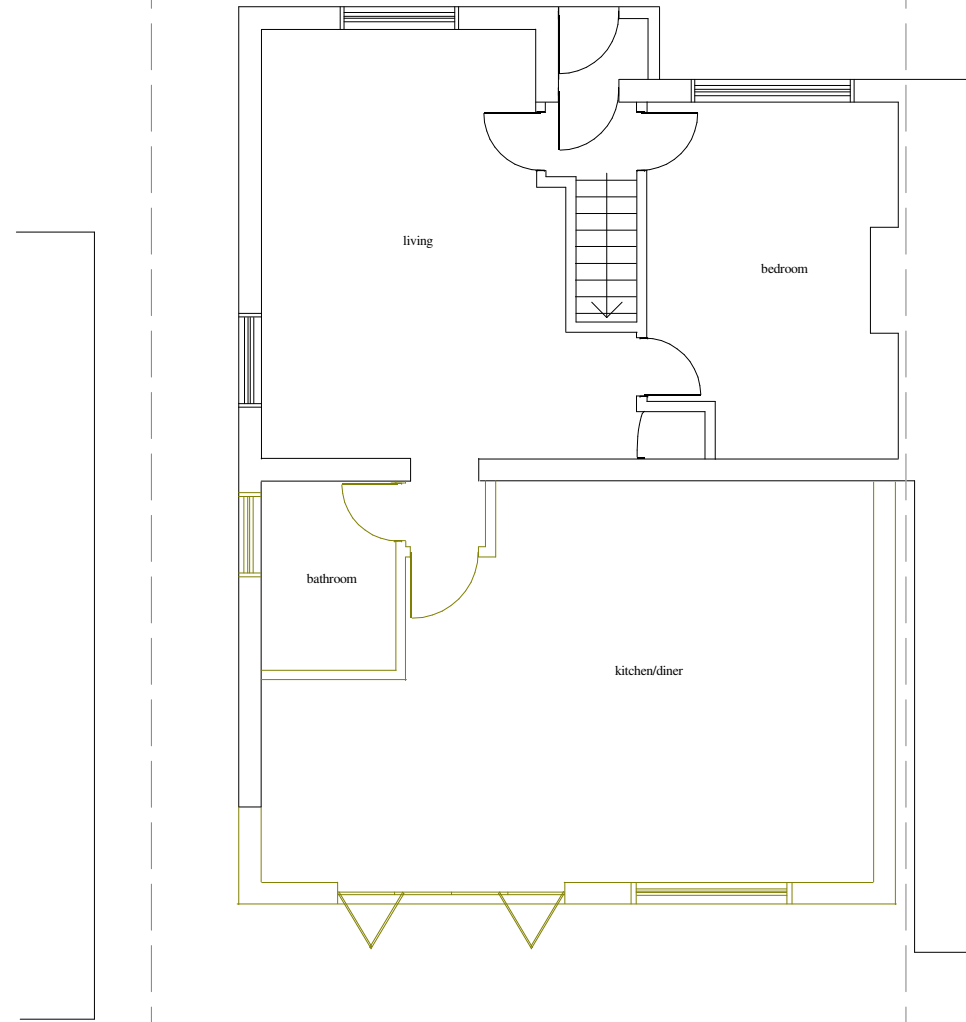
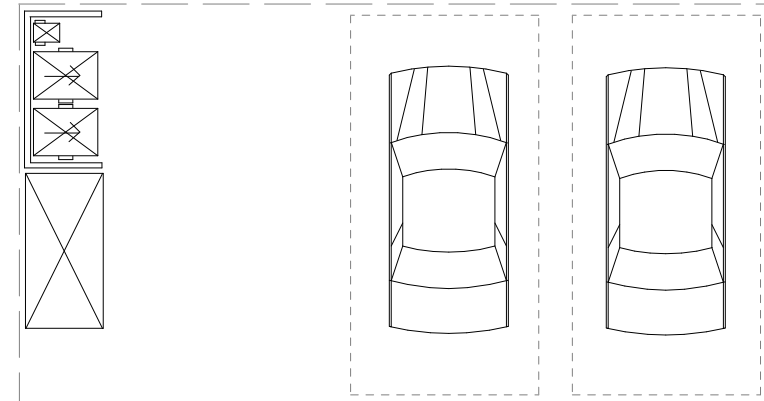


PROJECT  
rear extension to g/floor  
(already approved);  
rear extension to 1st floor  
223 London Road

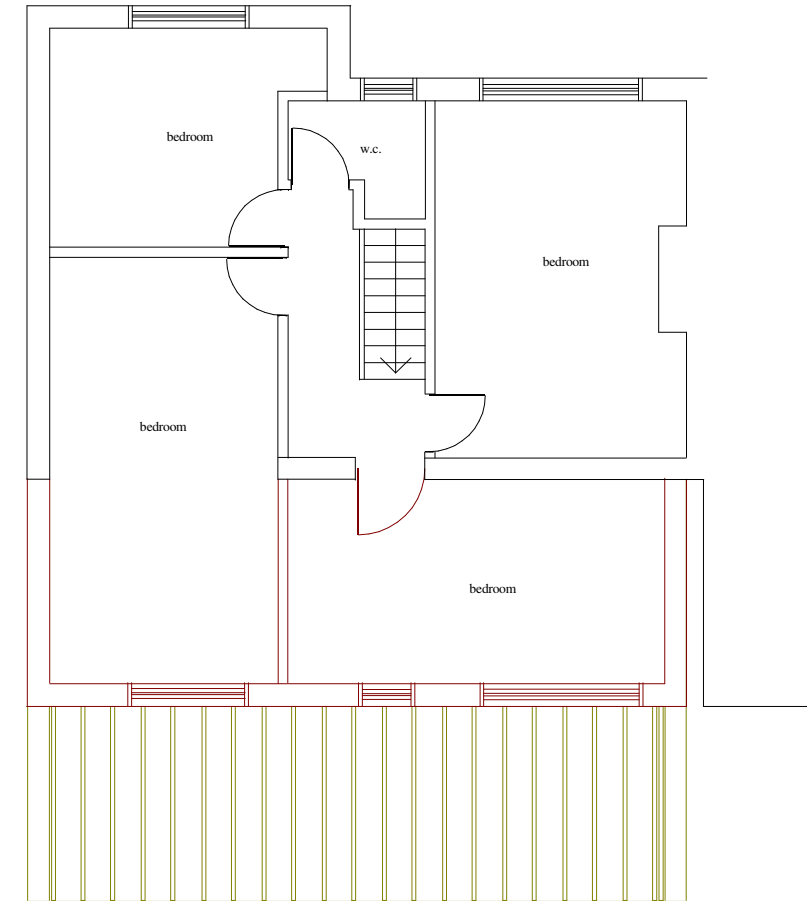
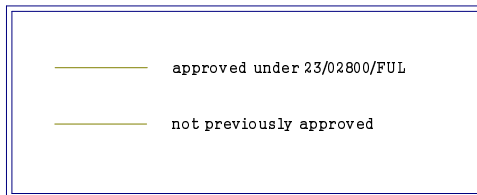
CLIENT  
Ms Noreen Sarwar,  
190 Headley Way,  
Oxford  
OX3 7TA

DRAWN BY  
James Driscoll  
06.02.24  
DRAWING NUMBER  
223londonroad3.2.3  
SCALE - 1:100 @A3

THE ONE-STOP PLANNING SERVICE  
18 Dearlove Close,  
Abingdon  
OX14 1LP  
Tel - 07846 962 886



PROPOSED GROUND FLOOR PLAN



PROPOSED FIRST FLOOR PLAN