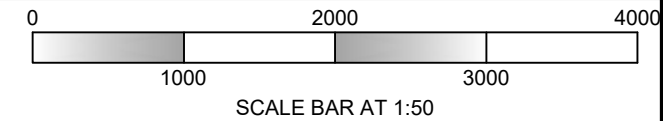


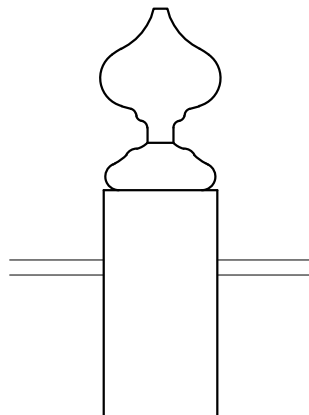
NOTES  
 © SIDLEYS - THE COPYRIGHT OF ALL OR PART OF THIS DRAWING RESTS WITH SIDLEYS CHARTERED SURVEYORS.

ALL DIMENSIONS SHALL BE CHECKED BY THE PARTY TO WHOM THE DRAWING HAS BEEN ISSUED. ANY DISCREPANCIES SHALL BE BROUGHT TO THE ATTENTION OF SIDLEYS.

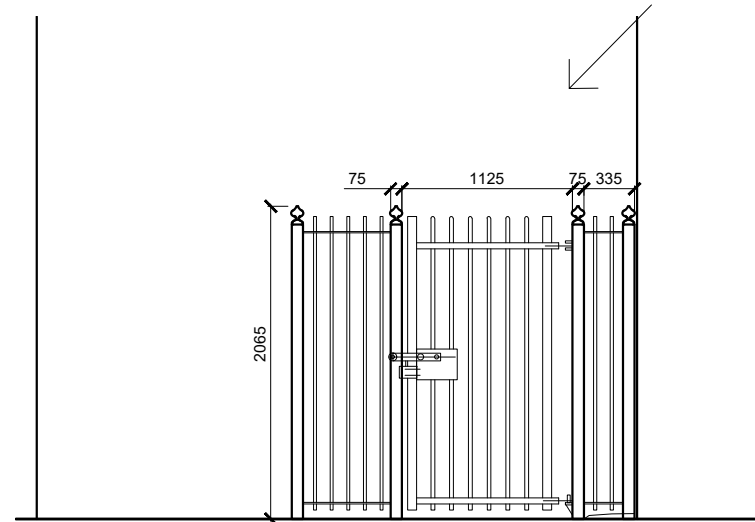
DO NOT SCALE FROM THIS DRAWING.



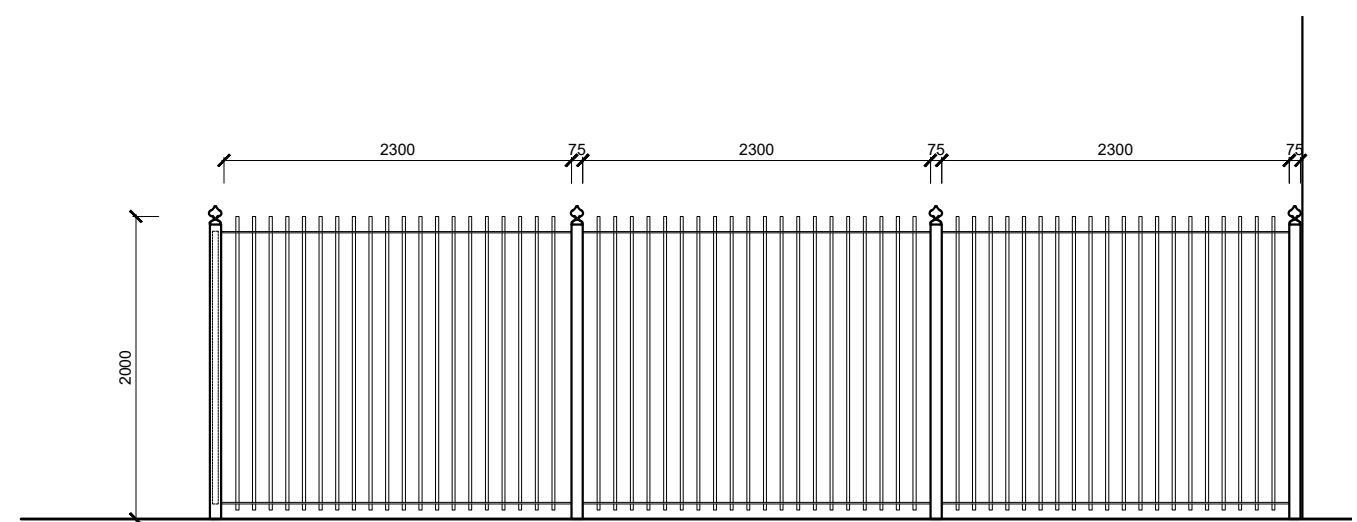
\*Gate provided with  
 Digilock / Salto



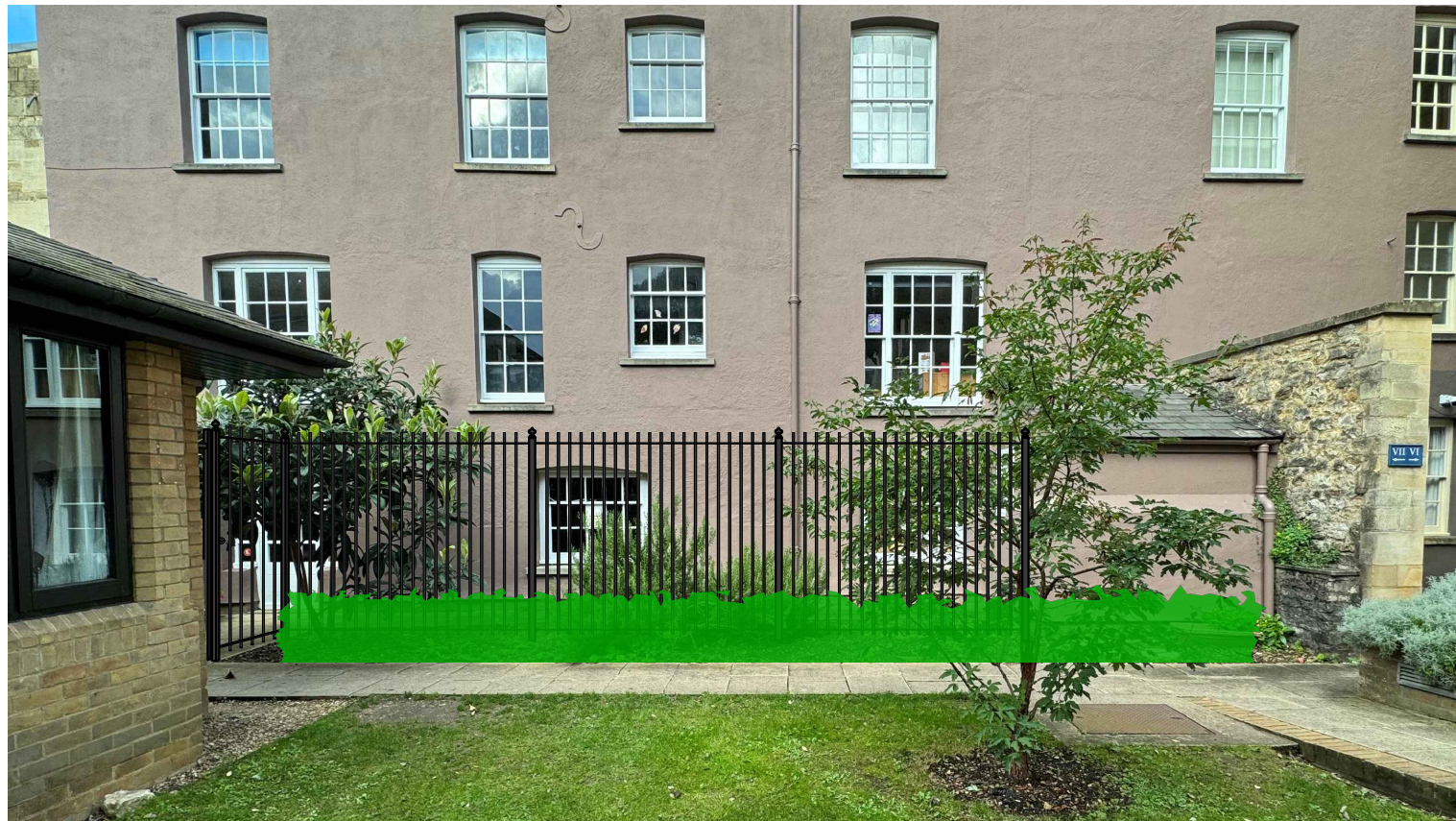
TYPICAL POST CAP  
 SCALE 1:5 @ A3



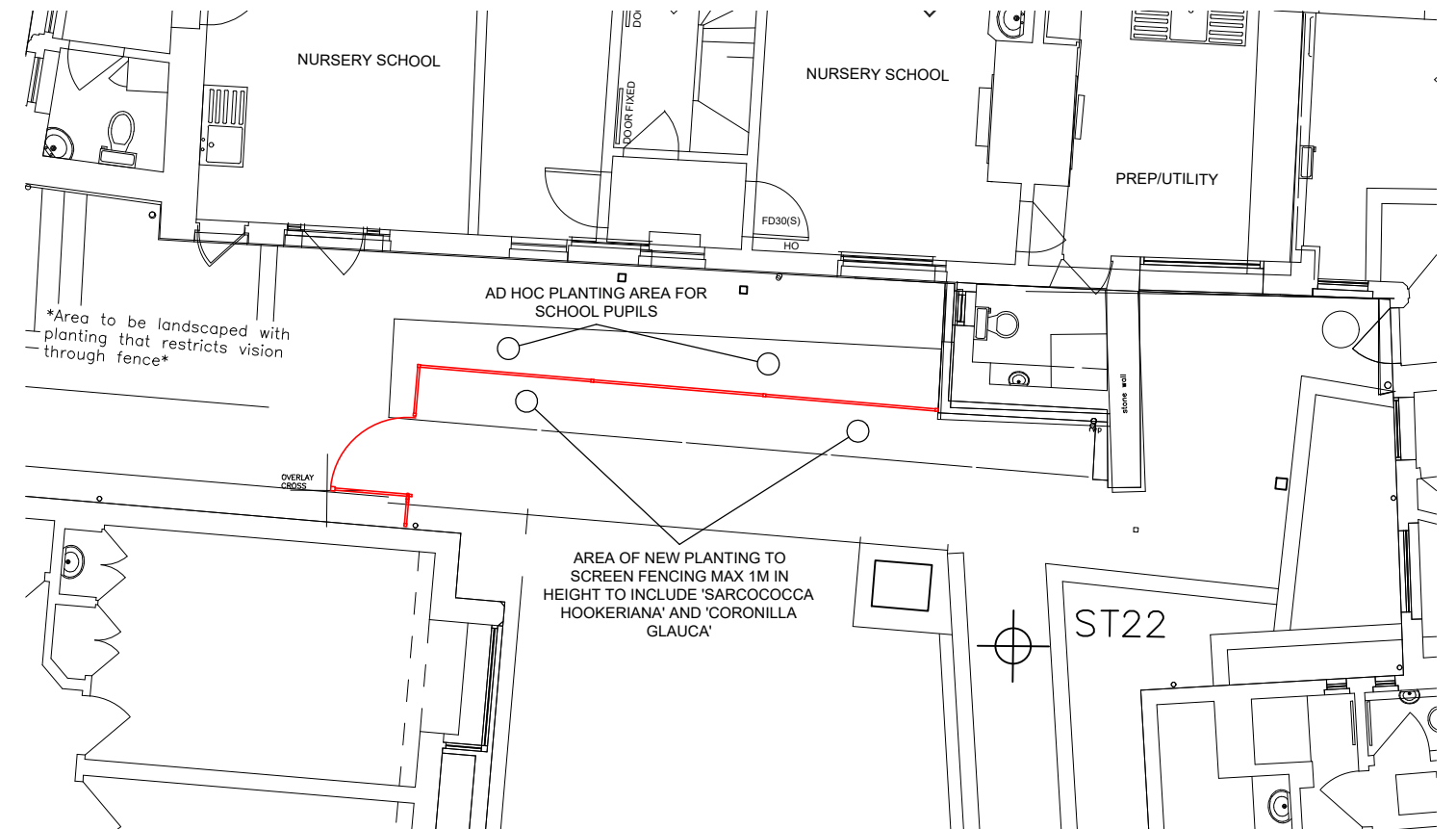
PROPOSED WEST ELEVATION  
 SCALE 1:50 @ A3



PROPOSED SOUTH ELEVATION  
 SCALE 1:50 @ A3



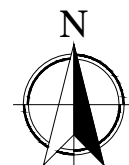
PROPOSED FENCE SKETCH - FOR ILLUSTRATIVE PURPOSES ONLY  
 NOT TO SCALE



PROPOSED SITE PLAN  
 SCALE 1:100 @ A3

Revision Date Details

Scale: 1:5 @ A3 1:50 @ A3 1:100 @ A3	Job No: 6-1100	Drawn by: MR
Date: FEB 2024	Drawing No: 07-P	Checked by: AS



CHRIST CHURCH  
 ST ALDATES  
 OXFORD  
 OX1 1DP

1 BREWER ST  
 OXFORD  
 OX1 1QN

PROPOSED FENCING

PRELIMINARY

**Sidleys**  
 CHARTERED SURVEYORS

6, King Edward Street, Oxford, OX1 4JL.  
 Telephone (01865) 726016, Facsimile (01865) 791493  
 www.sidleys.co.uk

