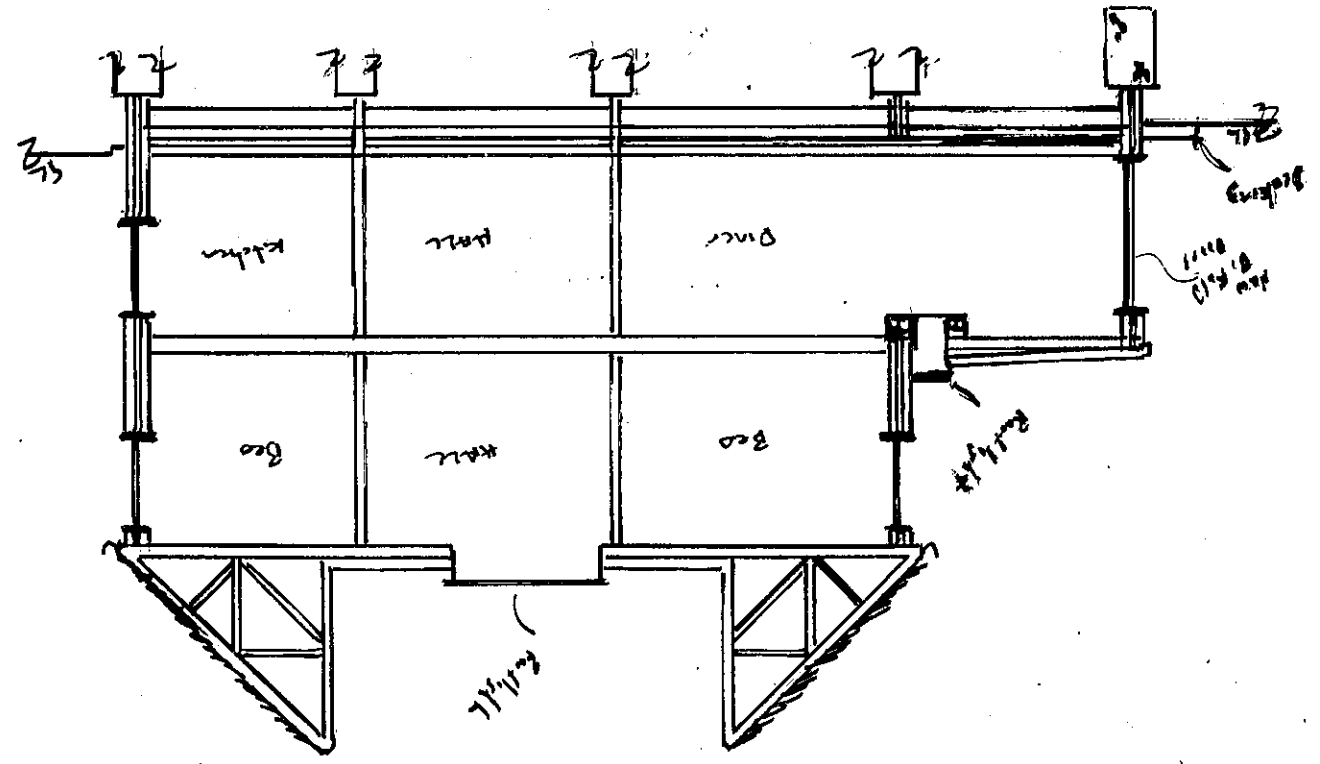


SECTION  
EXISTING



SECTION  
PROPOSED

37 THORNFIELD ROAD  
BISHOP STORTFORD  
HERTS CM23 2RB  
SINGLE STOREY REAR EXTENSION  
SECTION ~~XXXXXX~~ Plan No TP/AG/5 of 5  
Scale 1:100 1:500