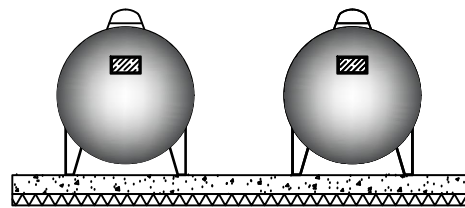
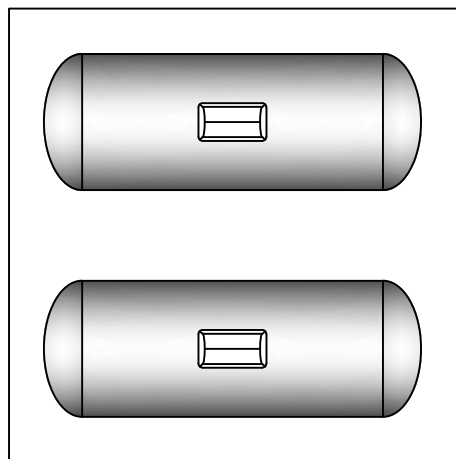


North West Elevation
(South East Elevation
Identical)

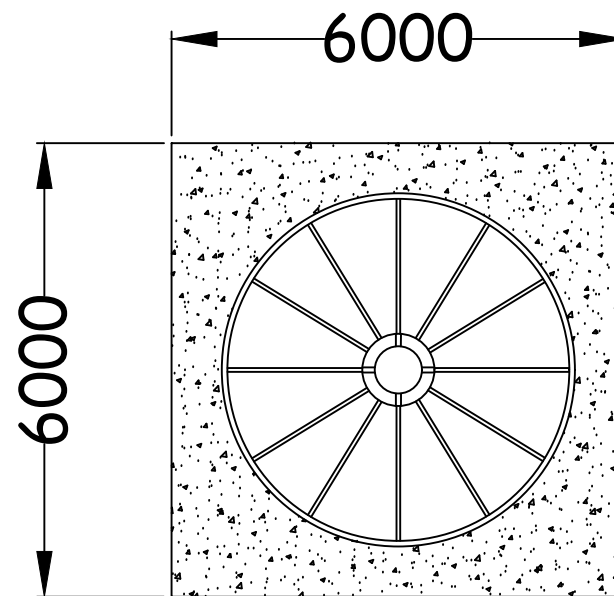


North East Elevation
(South West Elevation
Identical)

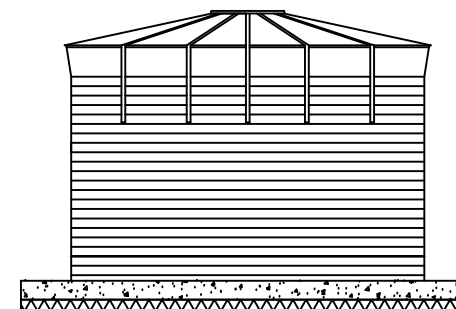


Floor Plan

Gas Tanks



Floor Plan



Elevation

Water Tank



IAN PICK ASSOCIATES LTD
Specialist Agricultural & Rural Planning Consultants

Station Farm Offices
Wansford Road
Nafferton
Driffield
East Yorkshire
YO25 8NJ

T : 01377 253363
E : mail@ianpick.co.uk
W : www.ianpickassociates.co.uk

CLIENT
Ivy Farm Ltd

JOB TITLE

Thoresby Bridge Farm, North
Cotes, DN36 5TY

DWG. TITLE

Ancillary Structures A3

SCALE	DRN
1=100	IP

DWG. NUMBER

IP/CPL/05

DATE	REV
Mar 24	-

SCALE BAR 1:100

