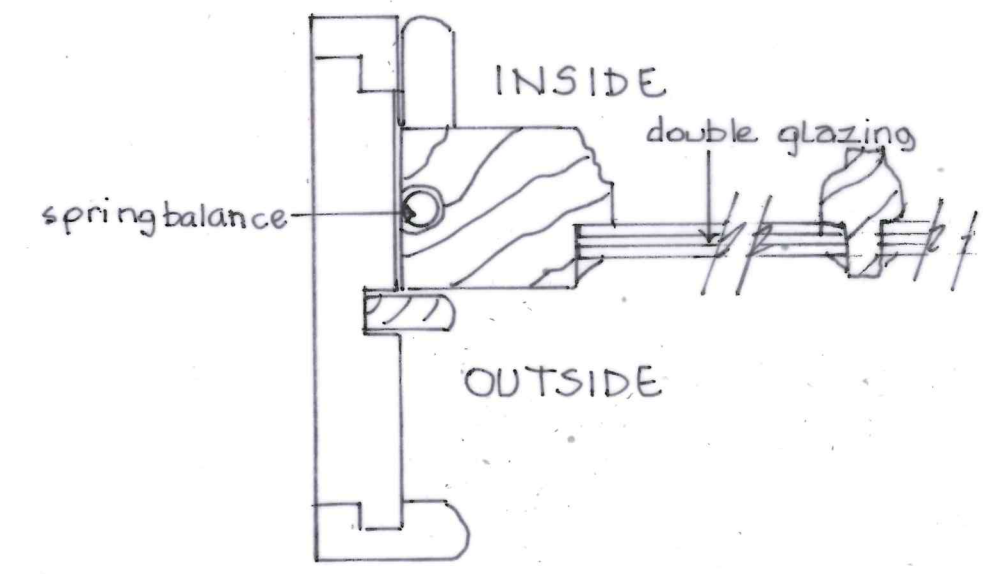
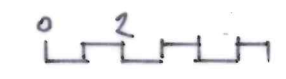
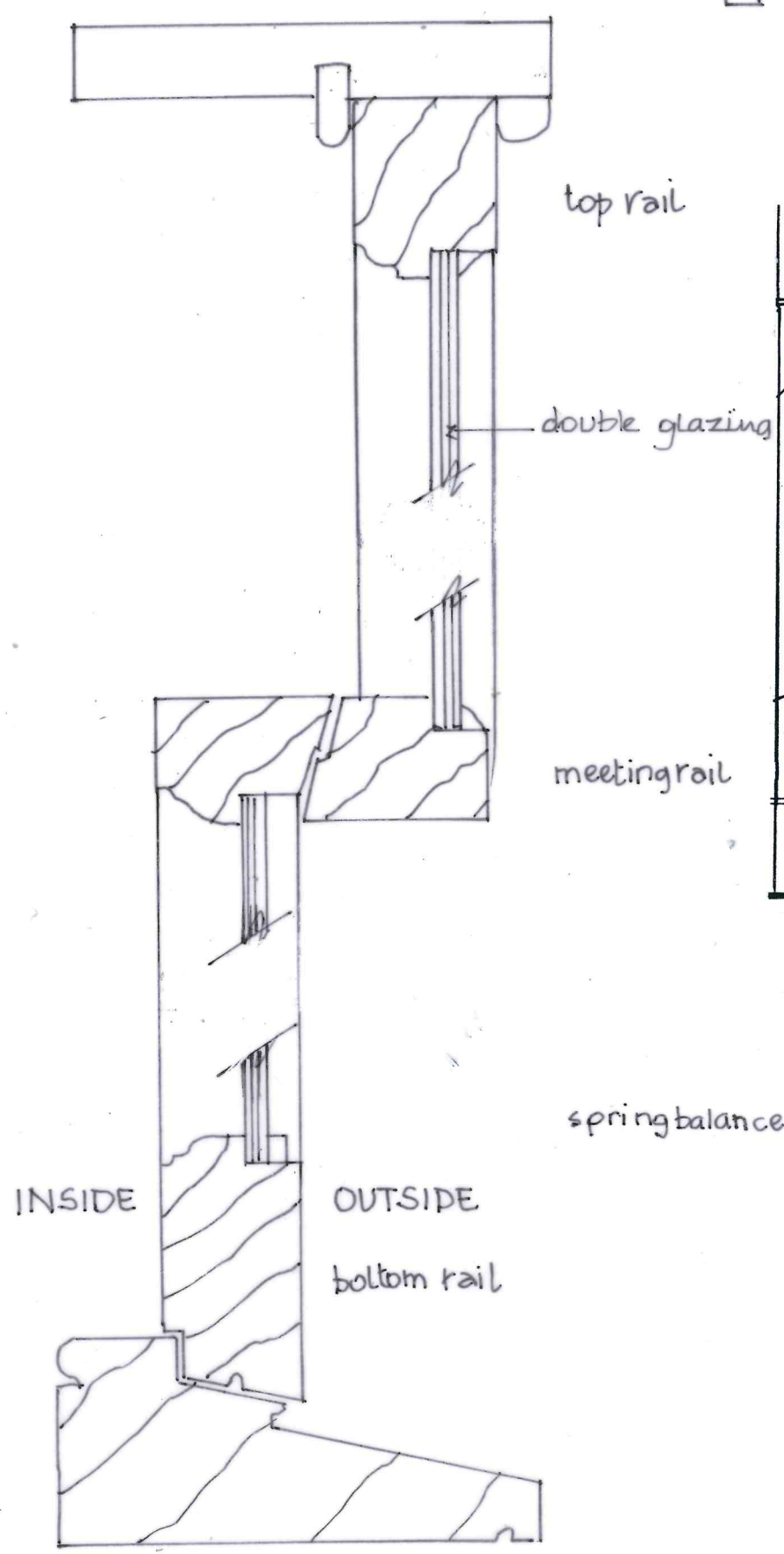


3 no. new windows (2 to living & 1 to bedroom)  
 timber spring balanced for painting white  
 double glazed. sash & case appearance (2 over 2)  
 to match windows above (existing)



NEW REAR WINDOWS (TO CAR PARK)

CHANGE OF USE (PUBLIC HOUSE TO SHOP AND 2no. FLATS) AND ALTERATIONS AT 16 BAKER STREET STIRLING

MCEACHERN ARCHITECTS