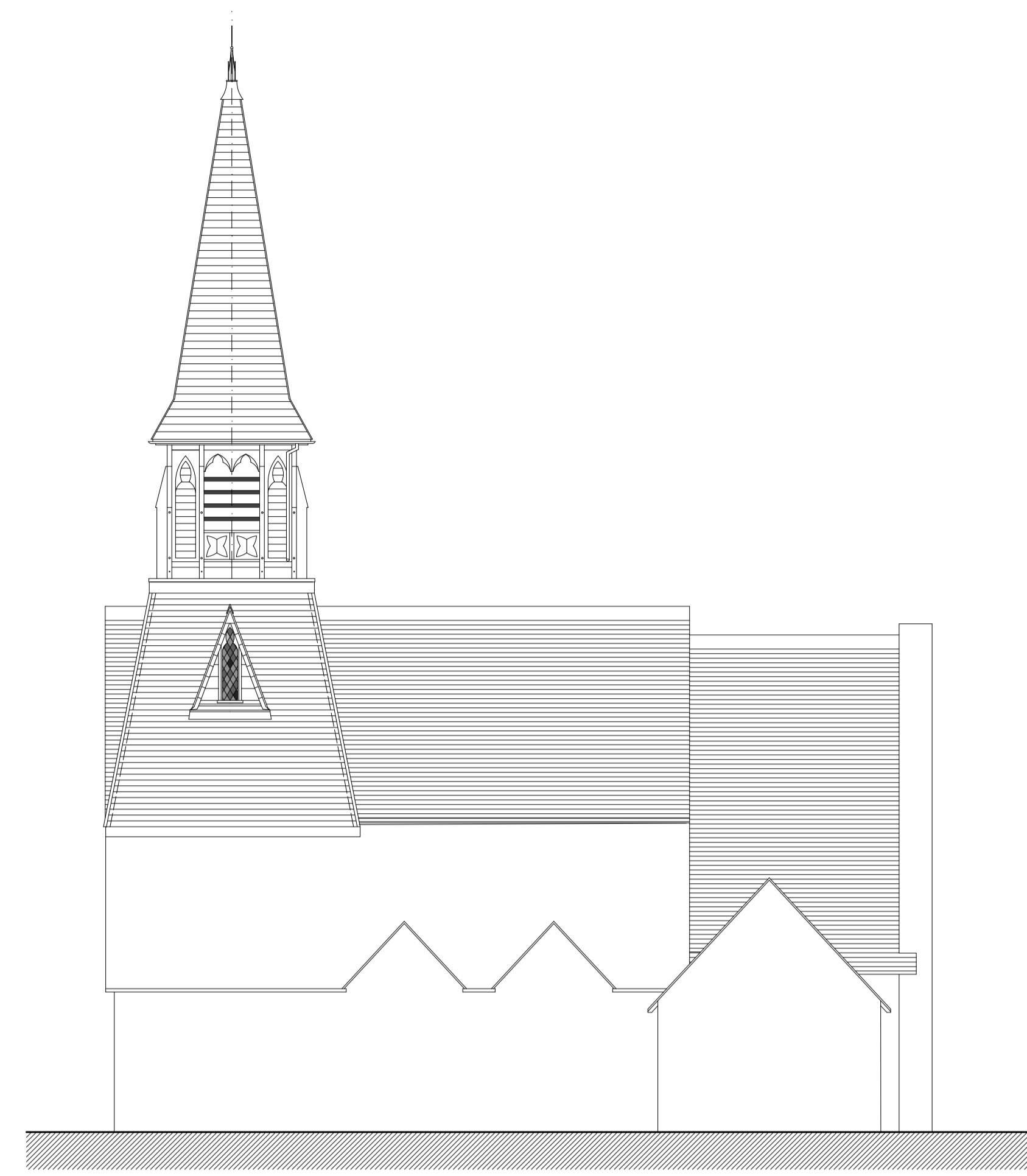
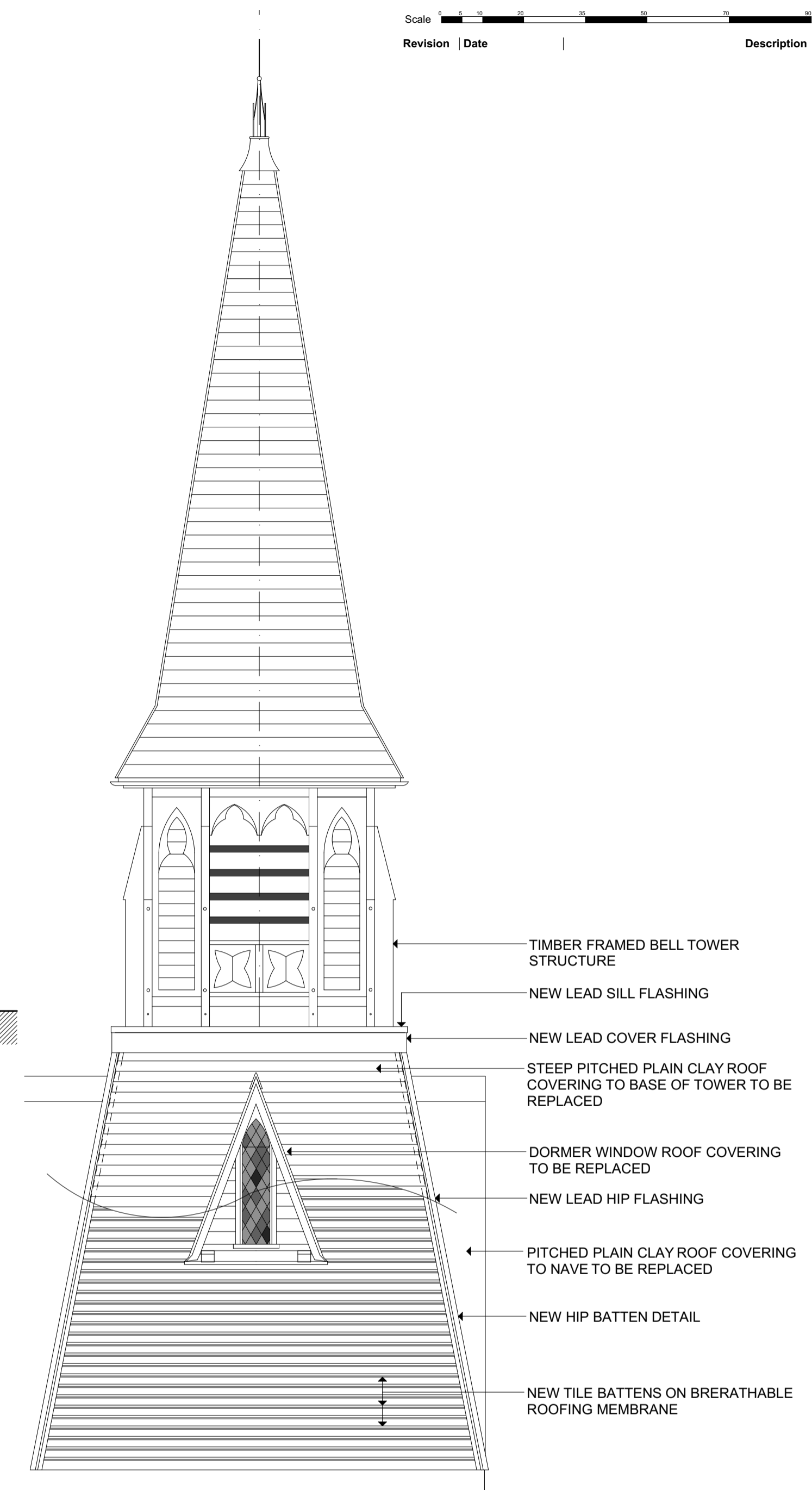


NORTH ELEVATION

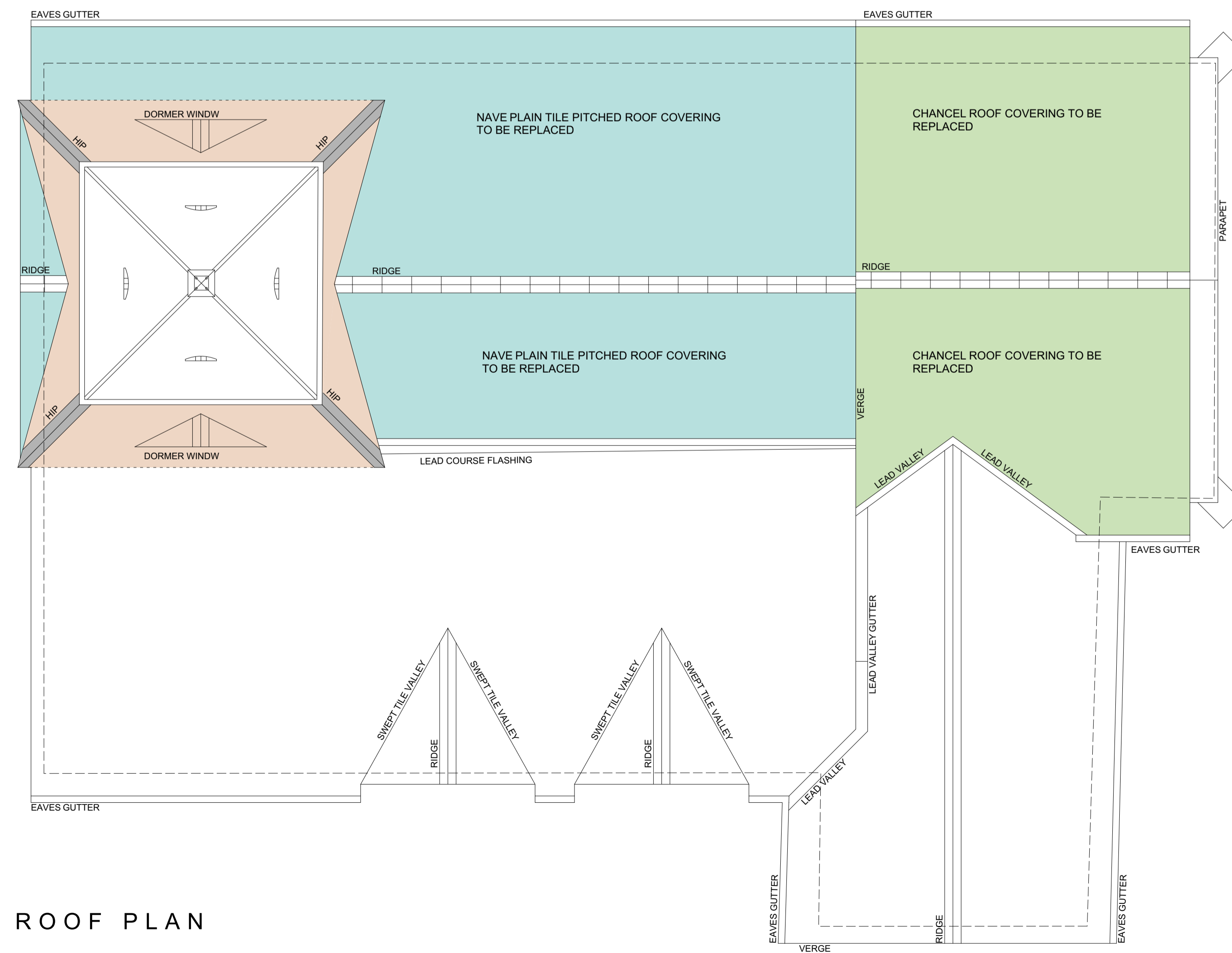
EAST ELEVATION



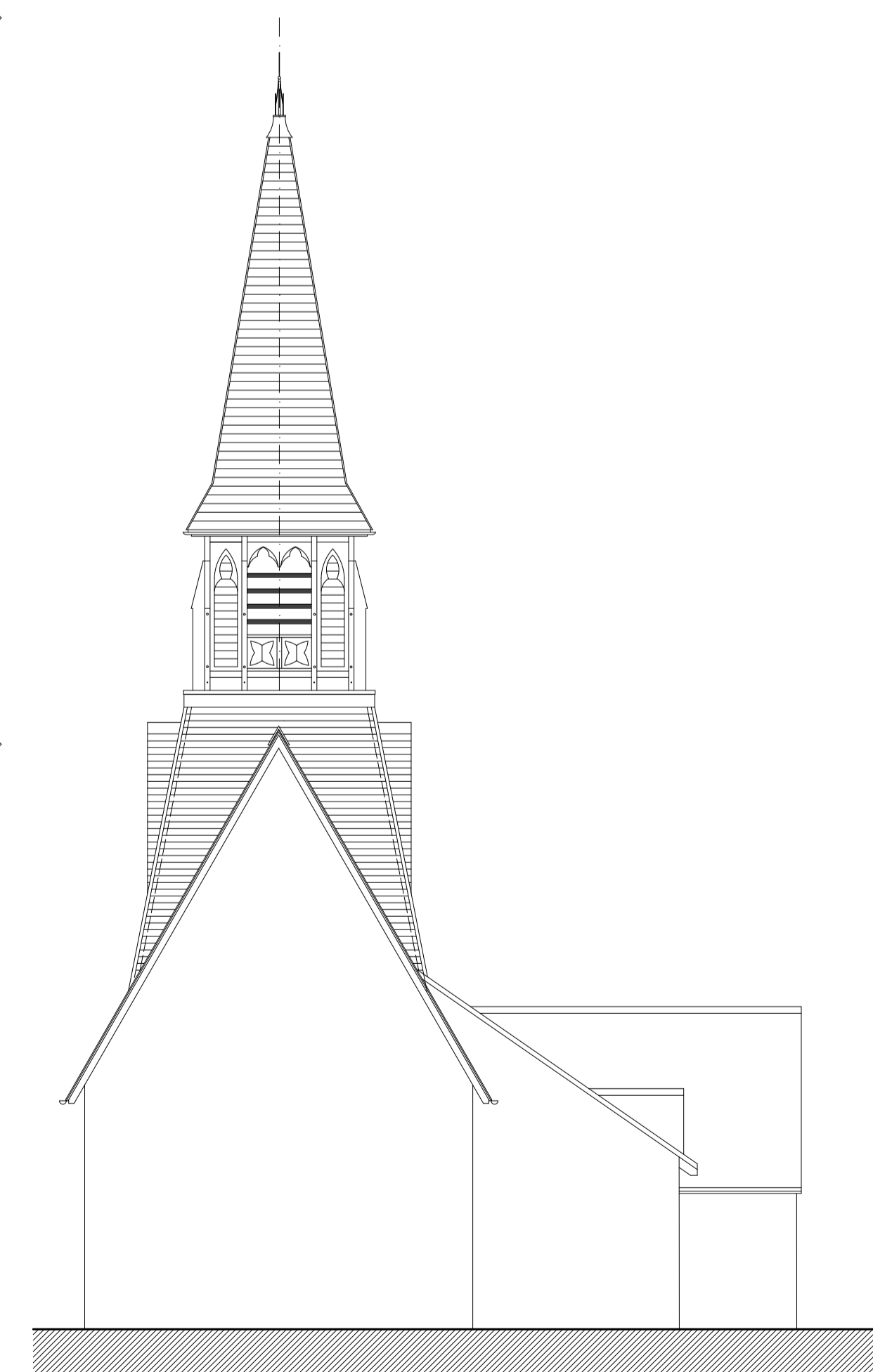
SOUTH ELEVATION



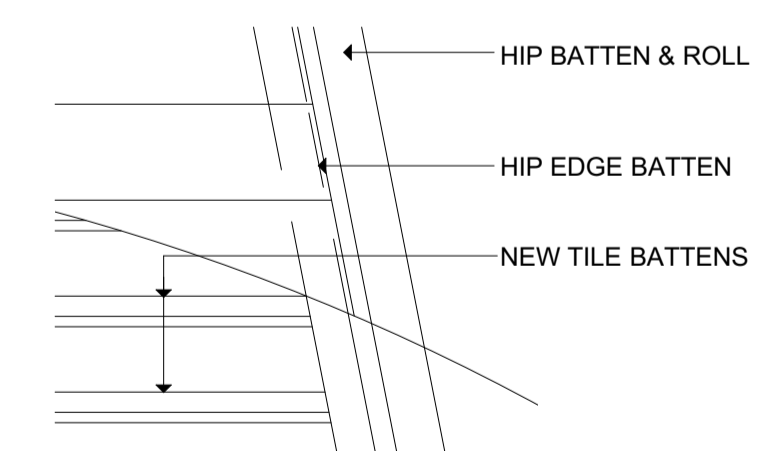
BELL TOWER NORTH ELEVATION (1:50)



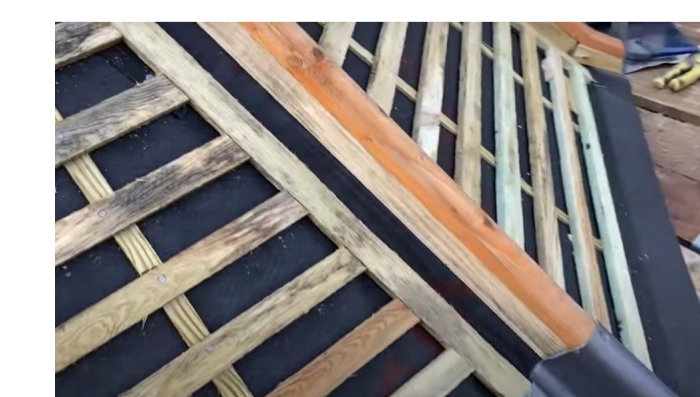
ROOF PLAN



WEST ELEVATION



HIP BATTEN



HIP DETAIL

JONES CHARTERED
 RIBA # ARCHITECTS **arb**
 ARCHITECTURE . PLANNING . CONSERVATION

COPYRIGHT The copyright of this drawing is vested in the architect and must not be reproduced without his consent in writing

NOTE Contractors must verify dimensions before commencing any work, fabrication, ordering or shop drawings. Do not scale from this drawing.

SCHEME
 PROPOSED RE-ROOFING AND ALTERATIONS
 ST JAMES THE GREAT CHURCH,
 BLAKEDOWN, KIDDERMINSTER.

TITLE
 ROOF & BELL TOWER PLANS AND
 ELEVATIONS AS PROPOSED

CLIENT
 CHURCHILL AND BLAKEDOWN PCC

DRAWING No.
 24015 / 04

DATE
 FEB 24

SCALE

STATUS
 PLANNING