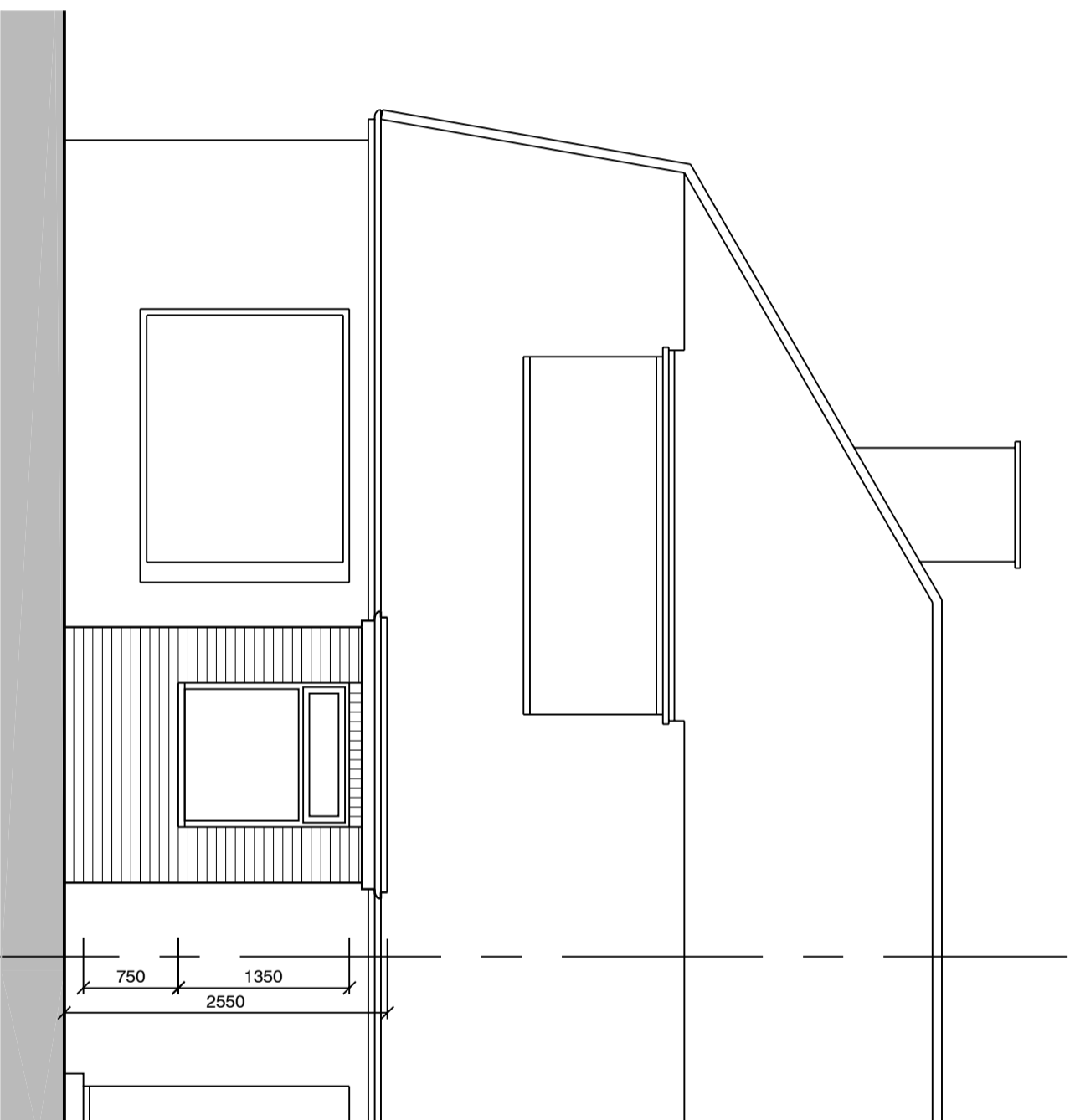
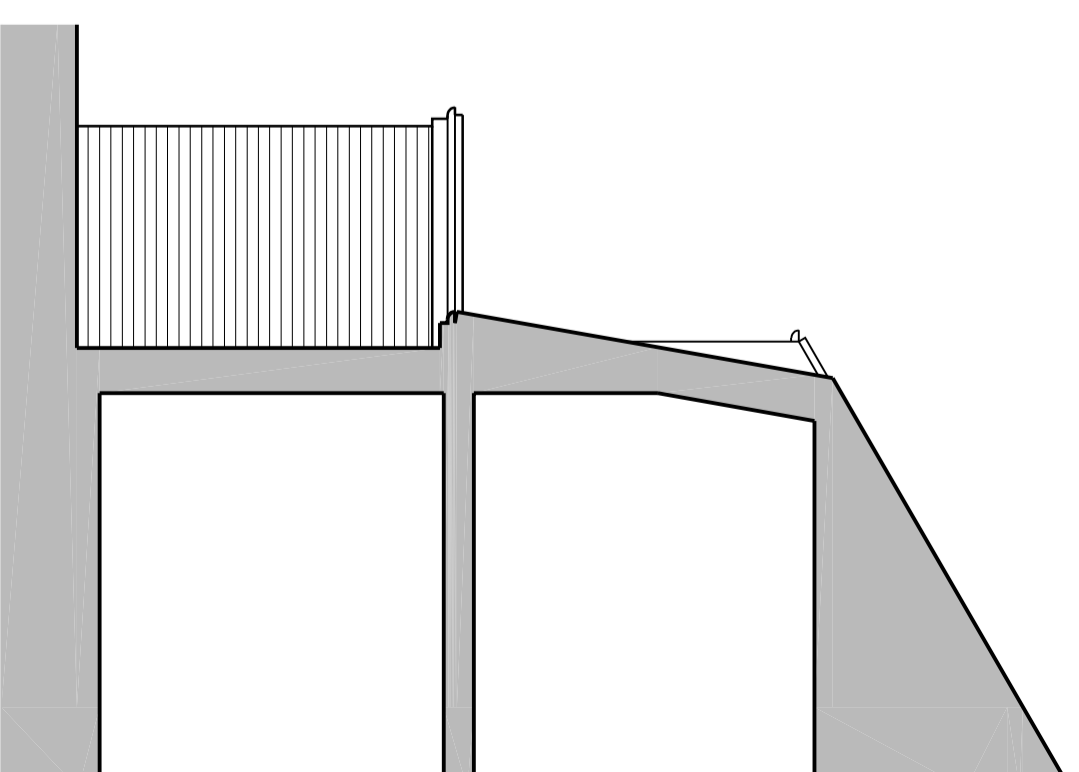


WEST ELEVATION



SOUTH ELEVATION



EAST ELEVATION

Title
PROPOSED ELEVATIONS

Rev	Date	Amendment	Scale	Revision
	Jan 2024	CPR	1:50 @ A3	
Job Number		Prefix	Drawing Number	
3923		CLU	02	

Project
**62 NAPPERS WOOD, FERNURST
 WEST SUSSEX, GU27 3PE**

For
MR. DAN JONES