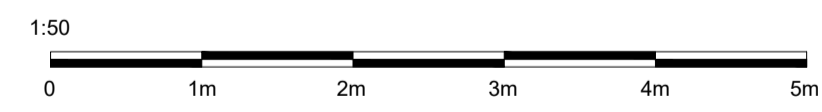
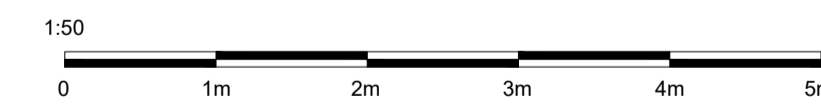
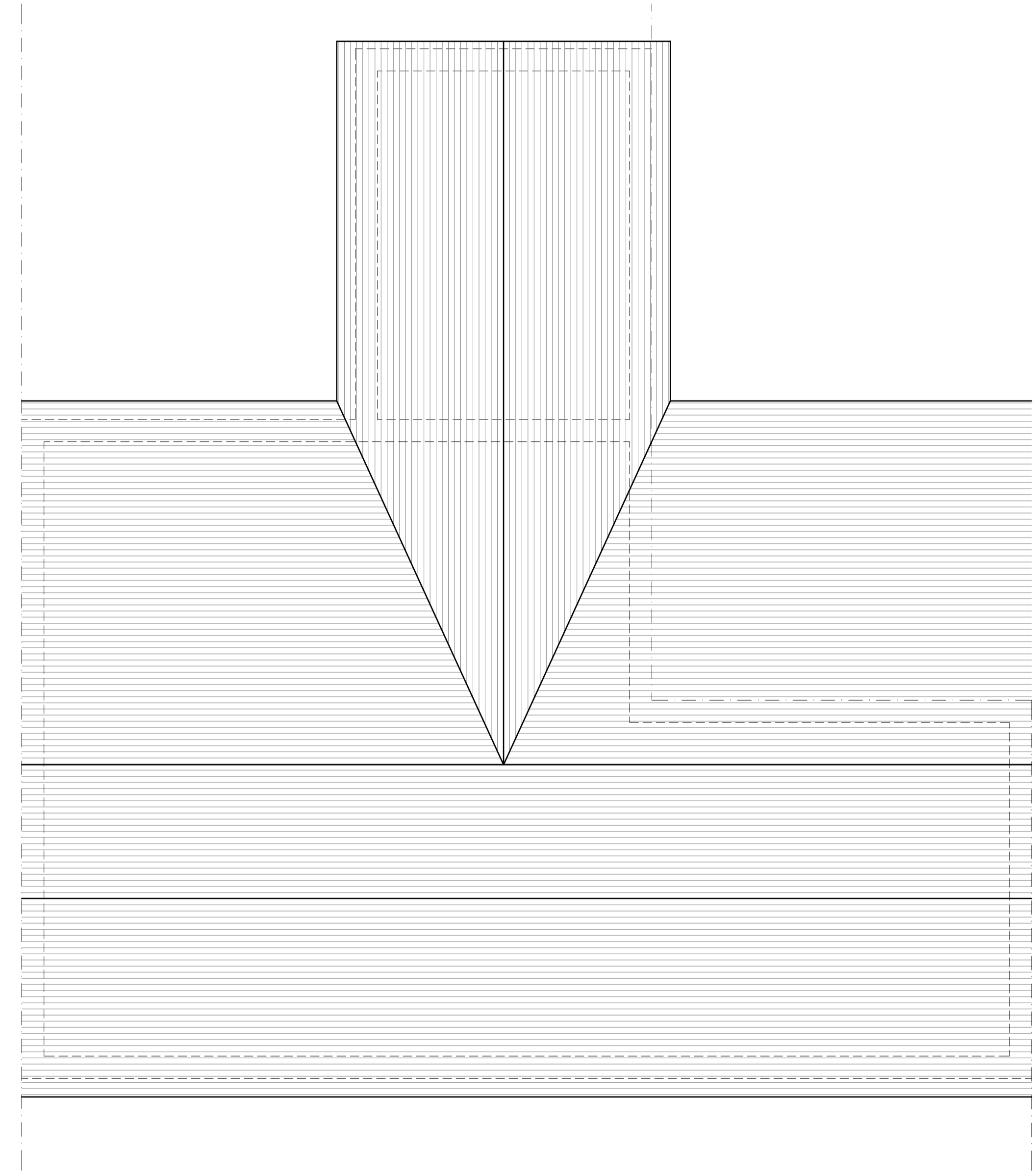


# PLANNING DRAWING



**EXISTING ROOF PLAN**  
1:50



**PROPOSED ROOF PLAN**  
1:50

CLIENT	-
ADDRESS	Deanscroft House, High Street, Stoke Ferry, PE33 9SF
TITLE	FLOOR PLANS
PROJECT STATUS	PLANNING DRAWING
DATE	JAN 2024
REVISION	
SCALE	As Indicated @A1
SHEET No.	PL003
REFERENCE	0010/20/FA
DRAWN BY	