

Manufacturer	Installation Company	Midlothian property where windows to be installed:
Veka Windows, Farrington Road, Rossendale Road Industrial Estate, Burnley, Lancashire, BB11 5DA	PT Glazing Group Ltd Unit 16 Colvilles Park, East Kilbride, Glasgow G75 0GZ	15 Tipperwell Way, Howgate, Penicuik, Midlothian EH26 8QP

### **High-Level Technical Specifications**

- Veka FlushSash Windows
- With five chamber PVC-U frames
- Frame: Standard bevel
- Sash: Flush bevel
- Mullion: Standard Bevel
- Bead: bevel
- Cill: Standard
- Astragal bar: Large Bevel
- Frame Joint Type: Welded
- Sash Joint Type: Welded
- Colour: White
- Finish (external): Wood Grain
- Finish (internal); Standard
- Profile Trickle Vent: Large Match Finish
- Double glazing
- Window Handle: Chrome
- Chrome handles.
- All windows have key locks.

Lead time: 4 to 6 weeks

**Link to manufacturer brochures:**

[Veka Flush Sash Windows](#)

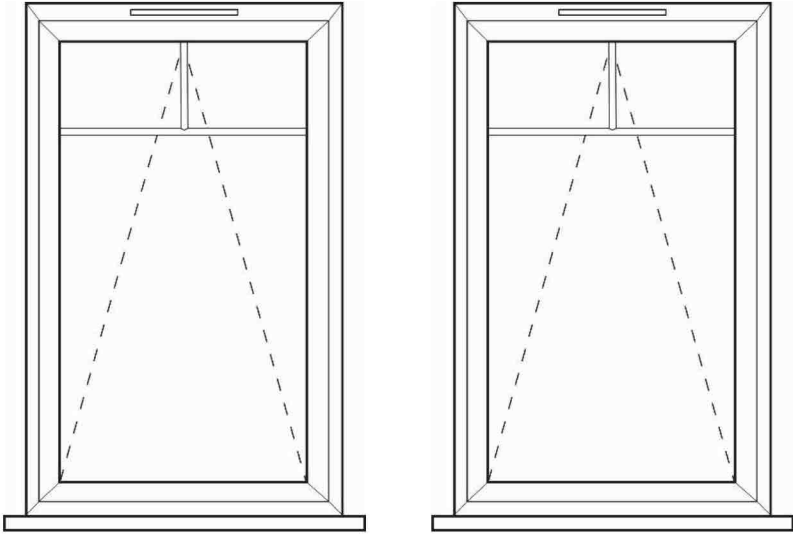
**Link to Trade Brochure:** [Veka Flush Sash Trade Brochure](#)

This copy has been made by or with the authority of Midlothian Council pursuant to Section 47 of the Designs and Patents Act 1988. Unless that Act provides a relevant exception to copyright, the copy must not be copied without the prior permission of the copyright owner.



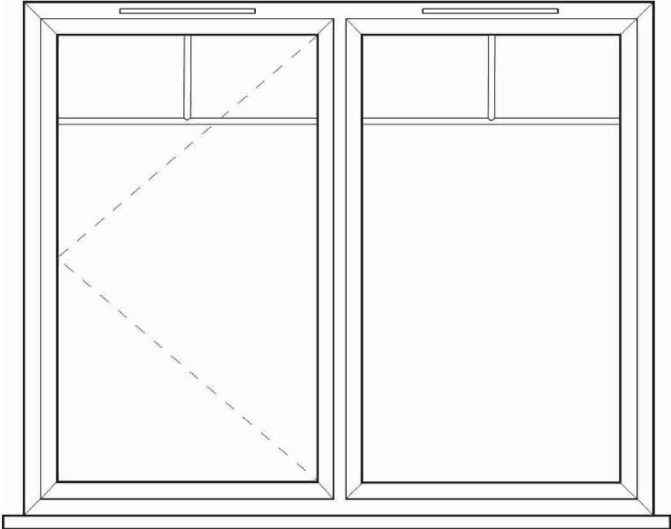
Manufacturer	Installation Company	Midlothian property where windows to be installed:
Veka Windows, Farrington Road, Rossendale Road Industrial Estate, Burnley, Lancashire, BB11 5DA	PT Glazing Group Ltd Unit 16 Colvilles Park, East Kilbride, Glasgow G75 0GZ	15 Tipperwell Way, Howgate, Penicuik, Midlothian EH26 8QP

## Project Summary Drawings: GROUND FLOOR

Drawing – External View	Room Window wall Dimensions	Technical details
	<p><b>LIVING ROOM</b> FRONT WALL GROUND FLOOR</p> <p>Windows x 2</p> <p>Dimensions (mm) for each window: 880 (w) X 1480 (h)</p>	<p>Veka FlushSash Windows With five chamber PVC-U frames Frame: Standard bevel Sash: Flush bevel Mullion: Standard Bevel Bead: bevel Cill: Standard Astragal bar: Large Bevel Frame Joint Type: Welded Sash Joint Type: Welded Colour: White Finish (external): Wood Grain Finish (internal); Standard Profile Trickle Vent: Large Match Finish Double glazing Window Handle: Chrome</p>

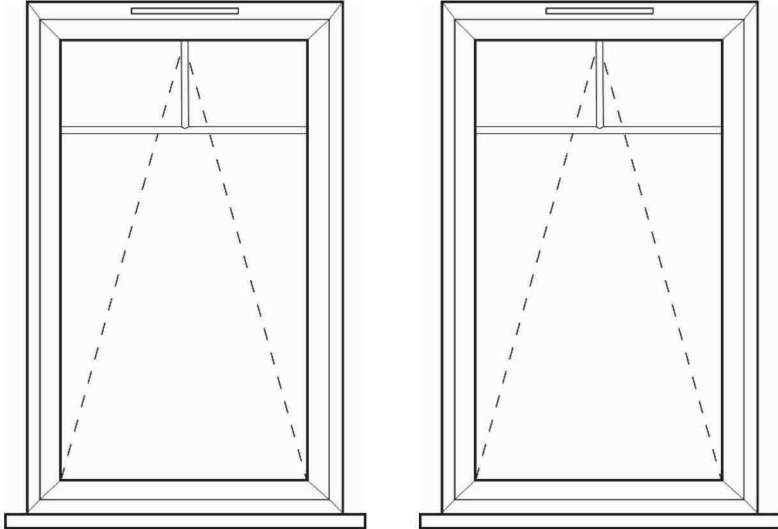
This copy has been made by or with the authority of Midlothian Council pursuant to Section 47 of the Designs and Patents Act 1988. Unless that Act provides a relevant exception to copyright, the copy must not be copied without the prior permission of the copyright owner.

Manufacturer	Installation Company	Midlothian property where windows to be installed:
Veka Windows, Farrington Road, Rossendale Road Industrial Estate, Burnley, Lancashire, BB11 5DA	PT Glazing Group Ltd Unit 16 Colvilles Park, East Kilbride, Glasgow G75 0GZ	15 Tipperwell Way, Howgate, Penicuik, Midlothian EH26 8QP

Drawing – External View	Room Window wall Dimensions	Technical details
	<p><b>LIVING ROOM</b> SIDE WALL GROUND FLOOR</p> <p>Dimensions (mm): 1880 (w) X 1540 (h)</p>	<p>Veka FlushSash Windows With five chamber PVC-U frames Frame: Standard bevel Sash: Flush bevel Mullion: Standard Bevel Bead: bevel Cill: Standard Astragal bar: Large Bevel Frame Joint Type: Welded Sash Joint Type: Welded Colour: White Finish (external): Wood Grain Finish (internal); Standard Profile Trickle Vent: Large Match Finish Double glazing Window Handle: Chrome</p>

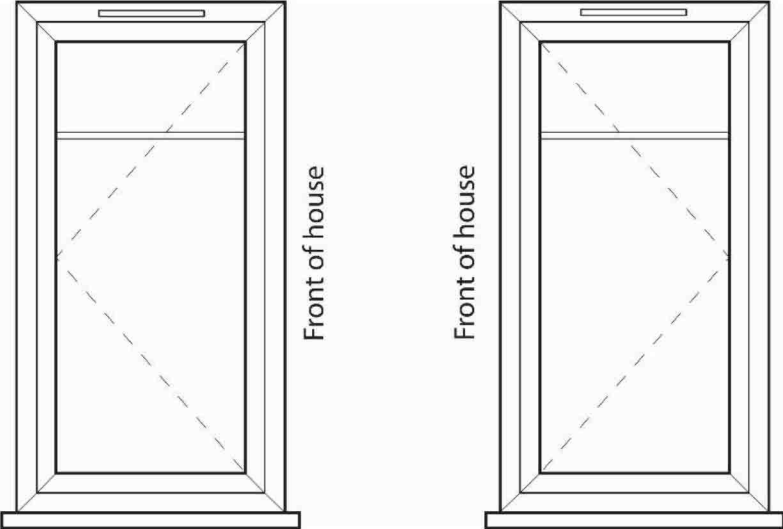
This copy has been made by or with the authority of Midlothian Council pursuant to Section 47 of the Designs and Patents Act 1988. Unless that Act provides a relevant exception to copyright, the copy must not be copied without the prior permission of the copyright owner.

Manufacturer	Installation Company	Midlothian property where windows to be installed:
Veka Windows, Farrington Road, Rossendale Road Industrial Estate, Burnley, Lancashire, BB11 5DA	PT Glazing Group Ltd Unit 16 Colvilles Park, East Kilbride, Glasgow G75 0GZ	15 Tipperwell Way, Howgate, Penicuik, Midlothian EH26 8QP

Drawing – External View	Room Window wall Dimensions	Technical details
	<p><b>HOME OFFICE ROOM</b> FRONT WALL GROUND FLOOR</p> <p>Windows x 2</p> <p>Dimensions (mm) for each window: 880 (w) X 1480 (h)</p>	<p>Veka FlushSash Windows With five chamber PVC-U frames Frame: Standard bevel Sash: Flush bevel Mullion: Standard Bevel Bead: bevel Cill: Standard Astragal bar: Large Bevel Frame Joint Type: Welded Sash Joint Type: Welded Colour: White Finish (external): Wood Grain Finish (internal); Standard Profile Trickle Vent: Large Match Finish Double glazing Window Handle: Chrome</p>

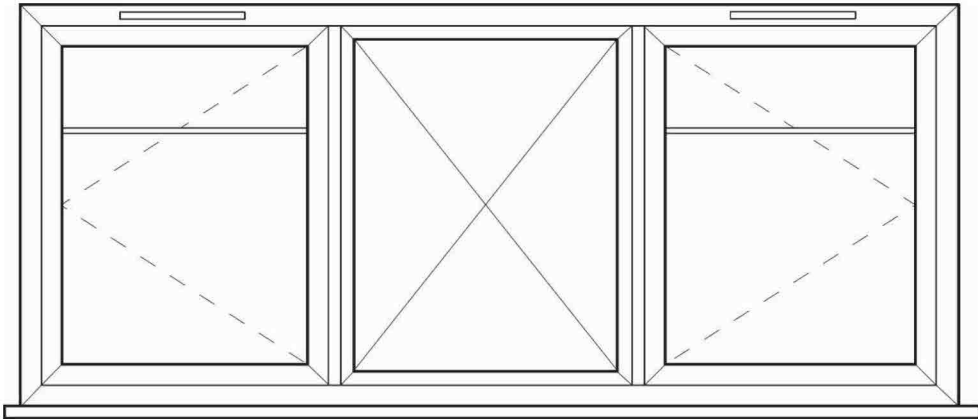
This copy has been made by or with the authority of Midlothian Council pursuant to Section 57 of the Designs and Patents Act 1988. Unless that Act provides a relevant exception to copyright, the copy must not be copied without the prior permission of the copyright owner.

Manufacturer	Installation Company	Midlothian property where windows to be installed:
Veka Windows, Farrington Road, Rossendale Road Industrial Estate, Burnley, Lancashire, BB11 5DA	PT Glazing Group Ltd Unit 16 Colvilles Park, East Kilbride, Glasgow G75 0GZ	15 Tipperwell Way, Howgate, Penicuik, Midlothian EH26 8QP

Drawing – External View	Room Window wall Dimensions	Technical details
	<p><b>PORCH</b> SIDE WALL GROUND FLOOR</p> <p>Windows x 2</p> <p>Dimensions (mm) for each window: 1345 (w) x 660 (h)</p>	<p>Veka FlushSash Windows With five chamber PVC-U frames Frame: Standard bevel Sash: Flush bevel Mullion: Standard Bevel Bead: bevel Cill: Standard Astragal bar: Large Bevel Frame Joint Type: Welded Sash Joint Type: Welded Colour: White Finish (external): Wood Grain Finish (internal); Standard Profile Trickle Vent: Large Match Finish Double glazing Window Handle: Chrome</p>

This copy has been made by or with the authority of Midlothian Council pursuant to Section 57 of the Design and Patents Act 1988. Unless that Act provides a relevant exception to copyright, the copy must not be copied without the prior permission of the copyright owner.

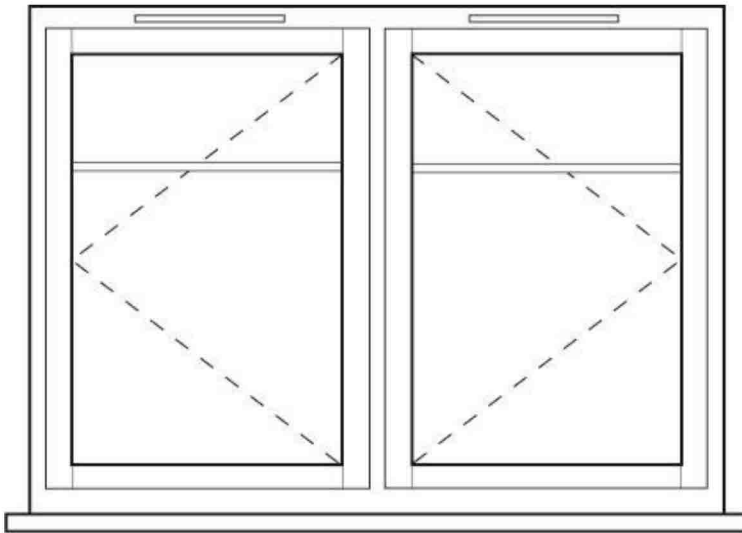
Manufacturer	Installation Company	Midlothian property where windows to be installed:
Veka Windows, Farrington Road, Rossendale Road Industrial Estate, Burnley, Lancashire, BB11 5DA	PT Glazing Group Ltd Unit 16 Colvilles Park, East Kilbride, Glasgow G75 0GZ	15 Tipperwell Way, Howgate, Penicuik, Midlothian EH26 8QP

Drawings – External view	Room	Technical details
	<b>KITCHEN WINDOW</b> BACK WALL GROUND FLOOR  Dimensions (mm): 2250 (w) x 1040 (h)	Veka FlushSash Windows With five chamber PVC-U frames Frame: Standard bevel Sash: Flush bevel Mullion: Standard Bevel Bead: bevel Cill: Standard Astragal bar: Large Bevel Frame Joint Type: Welded Sash Joint Type: Welded Colour: White Finish (external): Wood Grain Finish (internal); Standard Profile Trickle Vent: Large Match Finish Double glazing Window Handle: Chrome

This copy has been made by or with the authority of Midlothian Council pursuant to Section 47 of the Designs and Patents Act 1988. Unless that Act provides a relevant exception to copyright, the copy must not be copied without the prior permission of the copyright owner.



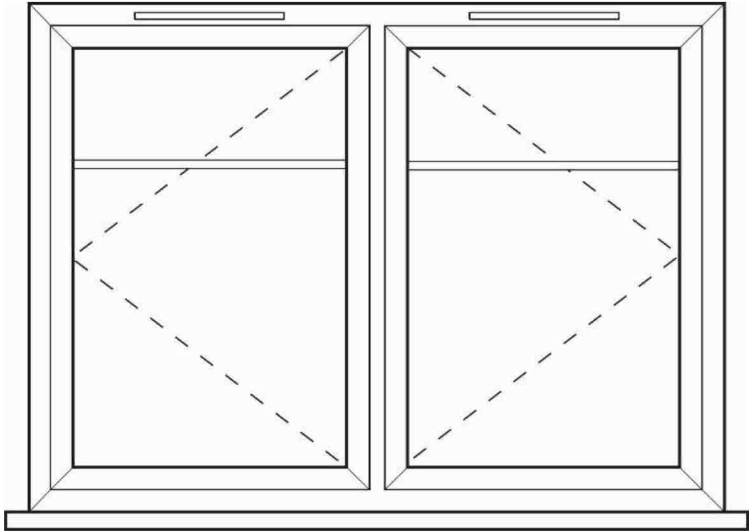
Manufacturer	Installation Company	Midlothian property where windows to be installed:
Veka Windows, Farrington Road, Rossendale Road Industrial Estate, Burnley, Lancashire, BB11 5DA	PT Glazing Group Ltd Unit 16 Colvilles Park, East Kilbride, Glasgow G75 0GZ	15 Tipperwell Way, Howgate, Penicuik, Midlothian EH26 8QP

Drawings – External view	Room	Technical details
	<b>LIVING ROOM 2</b> BACK WALL GROUND FLOOR  Dimensions (mm): 1580 (w) x 1150 (h)	Veka FlushSash Windows With five chamber PVC-U frames Frame: Standard bevel Sash: Flush bevel Mullion: Standard Bevel Bead: bevel Cill: Standard Astragal bar: Large Bevel Frame Joint Type: Welded Sash Joint Type: Welded Colour: White Finish (external): Wood Grain Finish (internal); Standard Profile Trickle Vent: Large Match Finish Double glazing Window Handle: Chrome

This copy has been made by or with the authority of Midlothian Council pursuant to Section 47 of the Designs and Patents Act 1988. Unless that Act provides a relevant exception to copyright, the copy must not be copied without the prior permission of the copyright owner.

Manufacturer	Installation Company	Midlothian property where windows to be installed:
Veka Windows, Farrington Road, Rossendale Road Industrial Estate, Burnley, Lancashire, BB11 5DA	PT Glazing Group Ltd Unit 16 Colvilles Park, East Kilbride, Glasgow G75 0GZ	15 Tipperwell Way, Howgate, Penicuik, Midlothian EH26 8QP

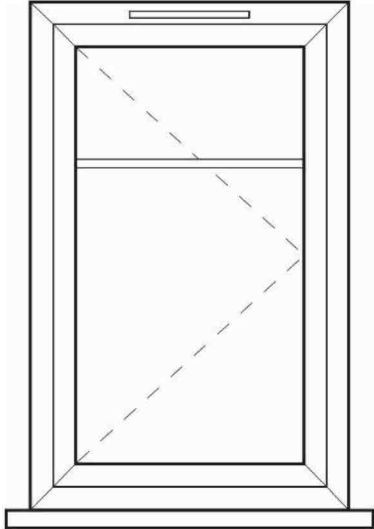
## Project Summary Drawings: FIRST FLOOR

Drawing – External View	Room Window wall Dimensions	Technical details
	<b>BEDROOM 1</b> FRONT WALL 1 <sup>ST</sup> FLOOR  Dimensions (mm): 1580 (w) x 1150 (h)	Veka FlushSash Windows With five chamber PVC-U frames Frame: Standard bevel Sash: Flush bevel Mullion: Standard Bevel Bead: bevel Cill: Standard Astragal bar: Large Bevel Frame Joint Type: Welded Sash Joint Type: Welded Colour: White Finish (external): Wood Grain Finish (internal); Standard Profile Trickle Vent: Large Match Finish Double glazing Window Handle: Chrome

This copy has been made by or with the authority of the Information Commissioning and Publishing Agency. It is not to be used for any other purpose without the prior permission of the copyright owner.

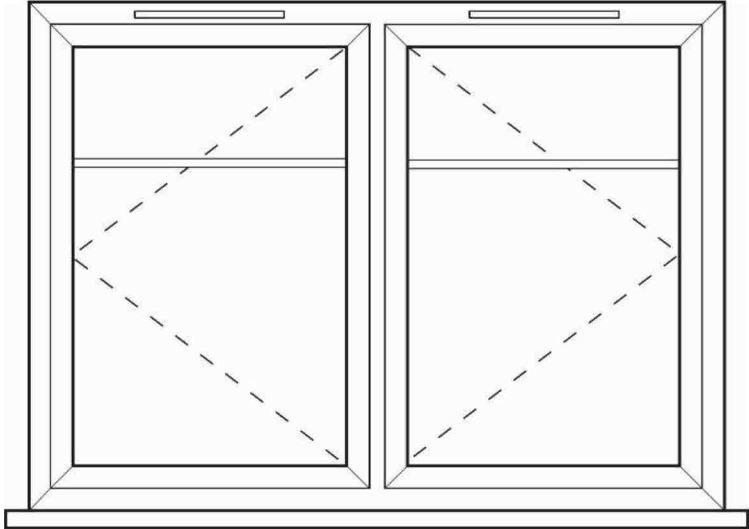


Manufacturer	Installation Company	Midlothian property where windows to be installed:
Veka Windows, Farrington Road, Rossendale Road Industrial Estate, Burnley, Lancashire, BB11 5DA	PT Glazing Group Ltd Unit 16 Colvilles Park, East Kilbride, Glasgow G75 0GZ	15 Tipperwell Way, Howgate, Penicuik, Midlothian EH26 8QP

Drawing – External View	Room Window wall Dimensions	Technical details
	<b>DRESSING ROOM</b> FRONT WALL 1 <sup>ST</sup> FLOOR  Dimensions (mm): 770 (w) x 1150 (h)	Veka FlushSash Windows With five chamber PVC-U frames Frame: Standard bevel Sash: Flush bevel Mullion: Standard Bevel Bead: bevel Cill: Standard Astragal bar: Large Bevel Frame Joint Type: Welded Sash Joint Type: Welded Colour: White Finish (external): Wood Grain Finish (internal); Standard Profile Trickle Vent: Large Match Finish Double glazing Window Handle: Chrome

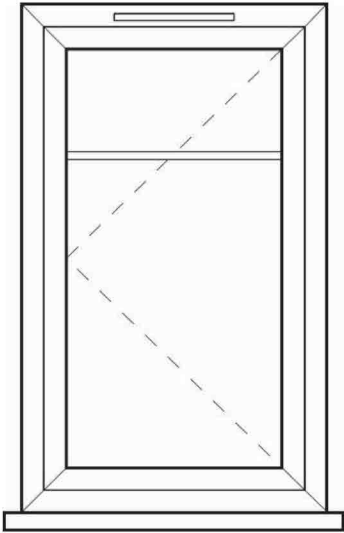
This copy has been made by or with the authority of Midlothian Council pursuant to Section 47 of the Design and Patents Act 1988. Unless that Act provides a relevant exception to copyright, the copy must not be copied without the prior permission of the copyright owner.

Manufacturer	Installation Company	Midlothian property where windows to be installed:
Veka Windows, Farrington Road, Rossendale Road Industrial Estate, Burnley, Lancashire, BB11 5DA	PT Glazing Group Ltd Unit 16 Colvilles Park, East Kilbride, Glasgow G75 0GZ	15 Tipperwell Way, Howgate, Penicuik, Midlothian EH26 8QP

Drawing – External View	Room Window wall Dimensions	Technical details
	<p><b>BEDROOM 2</b> FRONT WALL 1<sup>ST</sup> FLOOR</p> <p>Dimensions (mm): 1580 (w) x 1150 (h)</p>	<p>Veka FlushSash Windows With five chamber PVC-U frames Frame: Standard bevel Sash: Flush bevel Mullion: Standard Bevel Bead: bevel Cill: Standard Astragal bar: Large Bevel Frame Joint Type: Welded Sash Joint Type: Welded Colour: White Finish (external): Wood Grain Finish (internal); Standard Profile Trickle Vent: Large Match Finish Double glazing Window Handle: Chrome</p>

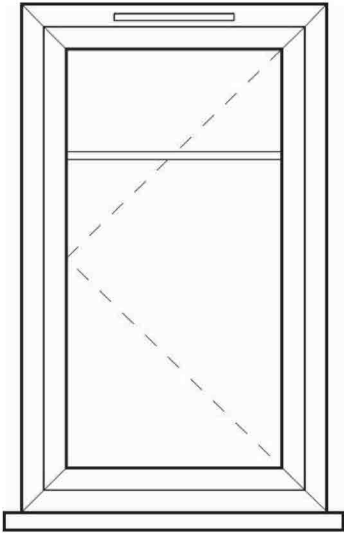
This copy has been made by or with the authority of Midlothian Council pursuant to Section 47 of the Designs and Patents Act 1988. Unless that Act provides a relevant exception to copyright, the copy must not be copied without the prior permission of the copyright owner.

Manufacturer	Installation Company	Midlothian property where windows to be installed:
Veka Windows, Farrington Road, Rossendale Road Industrial Estate, Burnley, Lancashire, BB11 5DA	PT Glazing Group Ltd Unit 16 Colvilles Park, East Kilbride, Glasgow G75 0GZ	15 Tipperwell Way, Howgate, Penicuik, Midlothian EH26 8QP

Drawing – External View	Room Window wall Dimensions	Technical details
	<b>EN-SUITE SHOWER ROOM</b> <b>SIDE WALL</b> <b>1<sup>ST</sup> FLOOR</b>  Dimensions (mm): 670 (w) x 1150 (h)	Veka FlushSash Windows With five chamber PVC-U frames Frame: Standard bevel Sash: Flush bevel Mullion: Standard Bevel Bead: bevel Cill: Standard Astragal bar: Large Bevel Frame Joint Type: Welded Sash Joint Type: Welded Colour: White Finish (external): Wood Grain Finish (internal); Standard Profile Trickle Vent: Large Match Finish Double glazing Window Handle: Chrome

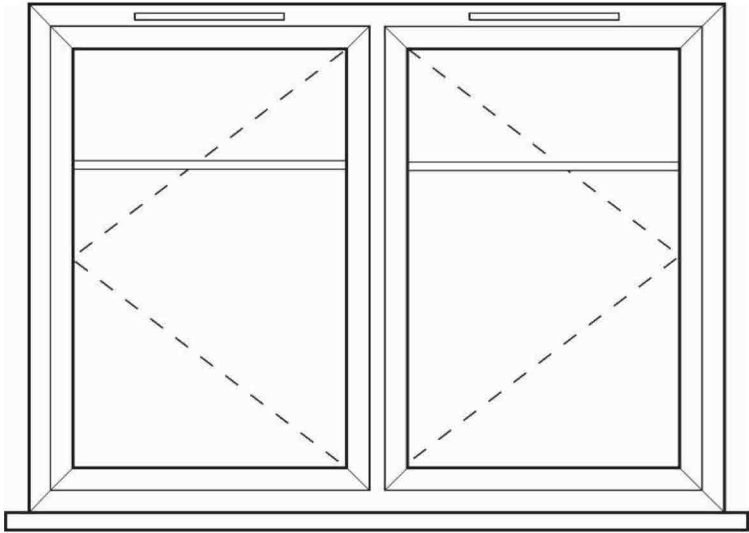
This copy has been made by or with the authority of Scottish Council pursuant to Section 47 of the Designs and Patents Act 1988. Unless the Act provides otherwise, no liability for copyright infringement shall be accepted without the prior permission of the copyright owner.

Manufacturer	Installation Company	Midlothian property where windows to be installed:
Veka Windows, Farrington Road, Rossendale Road Industrial Estate, Burnley, Lancashire, BB11 5DA	PT Glazing Group Ltd Unit 16 Colvilles Park, East Kilbride, Glasgow G75 0GZ	15 Tipperwell Way, Howgate, Penicuik, Midlothian EH26 8QP

Drawing – External View	Room Window wall Dimensions	Technical details
	<b>BATHROOM</b> SIDE WALL 1 <sup>ST</sup> FLOOR  Dimensions (mm): 670 (w) x 1150 (h)	Veka FlushSash Windows With five chamber PVC-U frames Frame: Standard bevel Sash: Flush bevel Mullion: Standard Bevel Bead: bevel Cill: Standard Astragal bar: Large Bevel Frame Joint Type: Welded Sash Joint Type: Welded Colour: White Finish (external): Wood Grain Finish (internal); Standard Profile Trickle Vent: Large Match Finish Double glazing Window Handle: Chrome

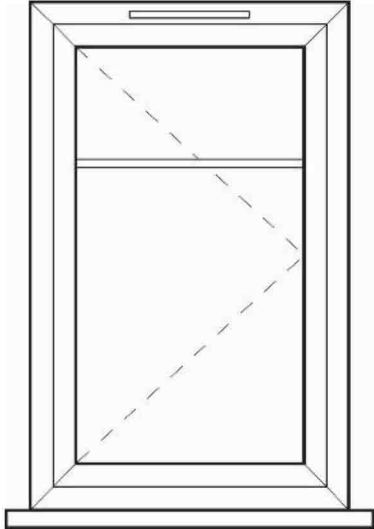
This copy has been made by or with the authority of Stirling City Council pursuant to Section 47 of the Design and Patents Act 1988. Unless the Act provides a relevant exception to copyright, the copy must not be copied without the prior permission of the copyright owner.

Manufacturer	Installation Company	Midlothian property where windows to be installed:
Veka Windows, Farrington Road, Rossendale Road Industrial Estate, Burnley, Lancashire, BB11 5DA	PT Glazing Group Ltd Unit 16 Colvilles Park, East Kilbride, Glasgow G75 0GZ	15 Tipperwell Way, Howgate, Penicuik, Midlothian EH26 8QP


Drawing – External View	Room Window wall Dimensions	Technical details
	<b>BEDROOM 3</b> BACK WALL 1 <sup>ST</sup> FLOOR  Dimensions (mm): 1580 (w) x 1150 (h)	Veka FlushSash Windows With five chamber PVC-U frames Frame: Standard bevel Sash: Flush bevel Mullion: Standard Bevel Bead: bevel Cill: Standard Astragal bar: Large Bevel Frame Joint Type: Welded Sash Joint Type: Welded Colour: White Finish (external): Wood Grain Finish (internal); Standard Profile Trickle Vent: Large Match Finish Double glazing Window Handle: Chrome

This copy has been made by or with the authority of Midlothian Council pursuant to Section 47 of the Designs and Patents Act 1988. Unless that Act provides a relevant exception to copyright, the copy must not be copied without the prior permission of the copyright owner.

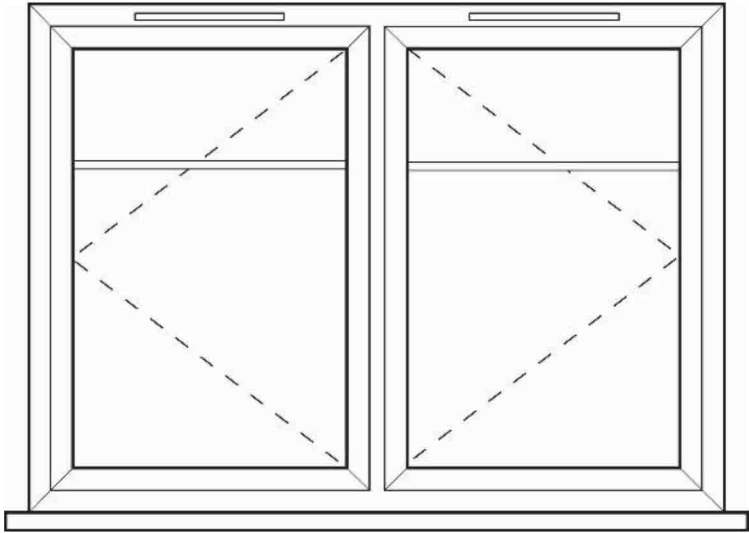
Manufacturer	Installation Company	Midlothian property where windows to be installed:
Veka Windows, Farrington Road, Rossendale Road Industrial Estate, Burnley, Lancashire, BB11 5DA	PT Glazing Group Ltd Unit 16 Colvilles Park, East Kilbride, Glasgow G75 0GZ	15 Tipperwell Way, Howgate, Penicuik, Midlothian EH26 8QP

Drawing – External View	Room Window wall Dimensions	Technical details
	<b>BEDROOM 4</b> BACK WALL 1 <sup>ST</sup> FLOOR  Dimensions (mm): 770 (w) x 1150 (h)	Veka FlushSash Windows With five chamber PVC-U frames Frame: Standard bevel Sash: Flush bevel Mullion: Standard Bevel Bead: bevel Cill: Standard Astragal bar: Large Bevel Frame Joint Type: Welded Sash Joint Type: Welded Colour: White Finish (external): Wood Grain Finish (internal); Standard Profile Trickle Vent: Large Match Finish Double glazing Window Handle: Chrome

This copy has been made by or with the authority of Midlothian Council pursuant to Section 47 of the Designs and Patents Act 1988. Unless that Act provides a relevant exception to copyright, the copy must not be copied without the prior permission of the copyright owner.



Manufacturer	Installation Company	Midlothian property where windows to be installed:
Veka Windows, Farrington Road, Rossendale Road Industrial Estate, Burnley, Lancashire, BB11 5DA	PT Glazing Group Ltd Unit 16 Colvilles Park, East Kilbride, Glasgow G75 0GZ	15 Tipperwell Way, Howgate, Penicuik, Midlothian EH26 8QP

Drawing – External View	Room Window wall Dimensions	Technical details
	<p><b>BEDROOM 5</b> BACK WALL 1<sup>ST</sup> FLOOR</p> <p>Dimensions (mm): 1580 (w) x 1150 (h)</p>	<p>Veka FlushSash Windows With five chamber PVC-U frames Frame: Standard bevel Sash: Flush bevel Mullion: Standard Bevel Bead: bevel Cill: Standard Astragal bar: Large Bevel Frame Joint Type: Welded Sash Joint Type: Welded Colour: White Finish (external): Wood Grain Finish (internal); Standard Profile Trickle Vent: Large Match Finish Double glazing Window Handle: Chrome</p>

This copy has been made by or with the authority of Midlothian Council pursuant to Section 47 of the Designs and Patents Act 1988. Unless that Act provides a relevant exception to copyright, the copy must not be copied without the prior permission of the copyright owner.