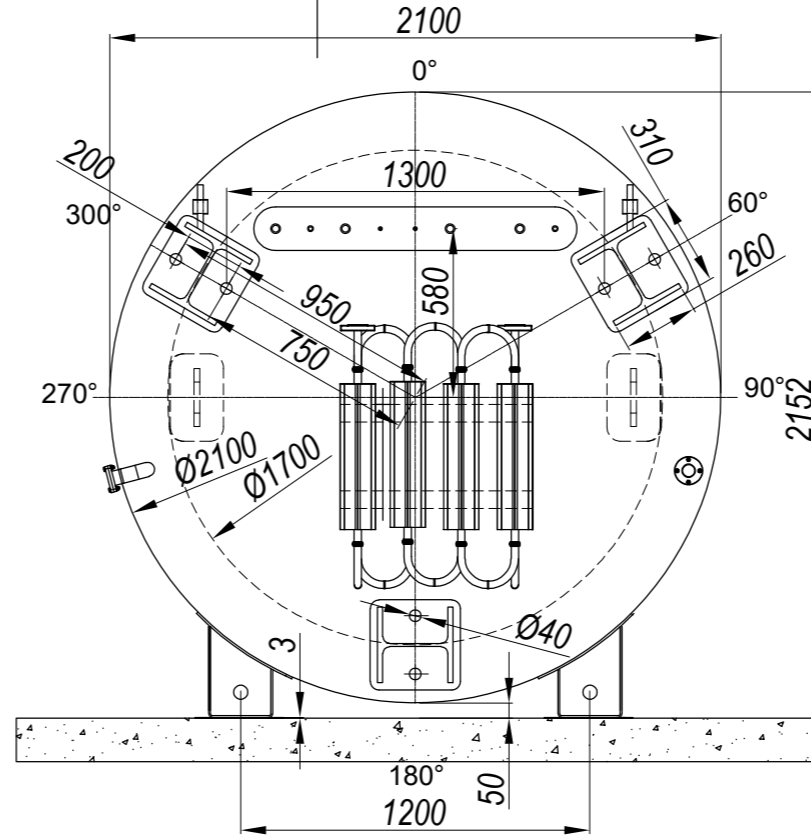
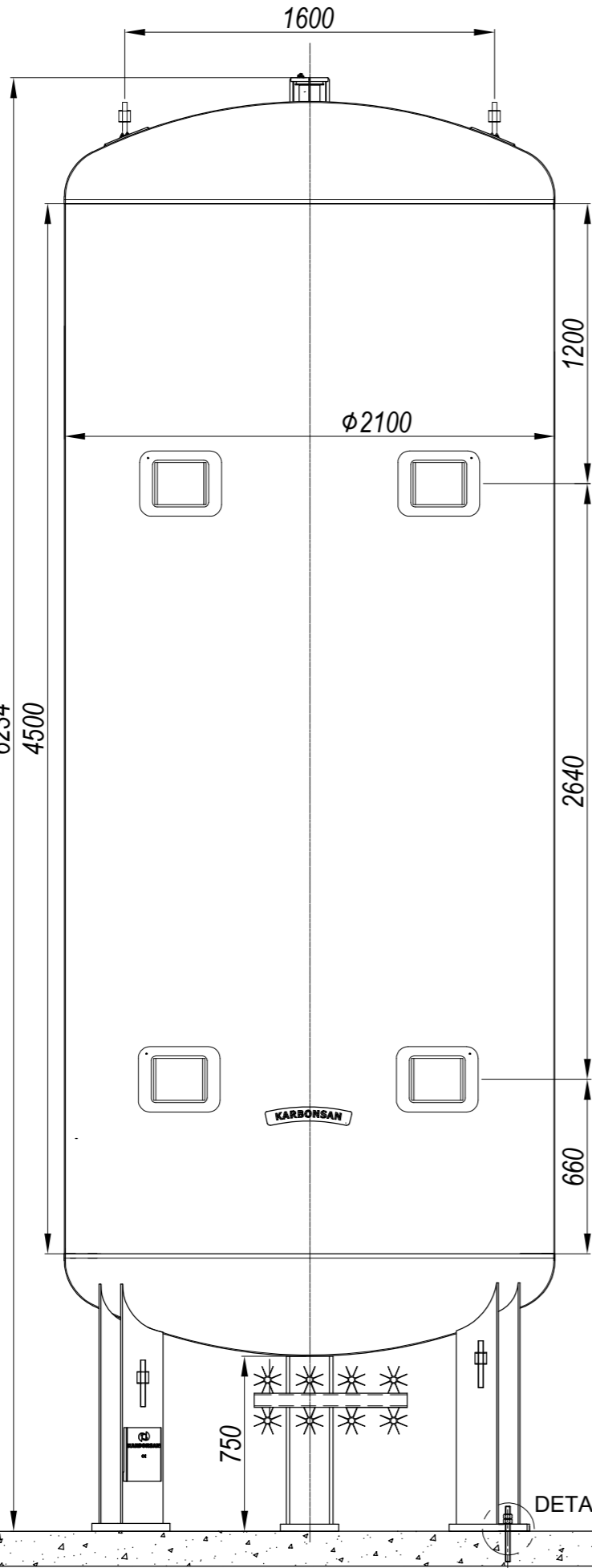
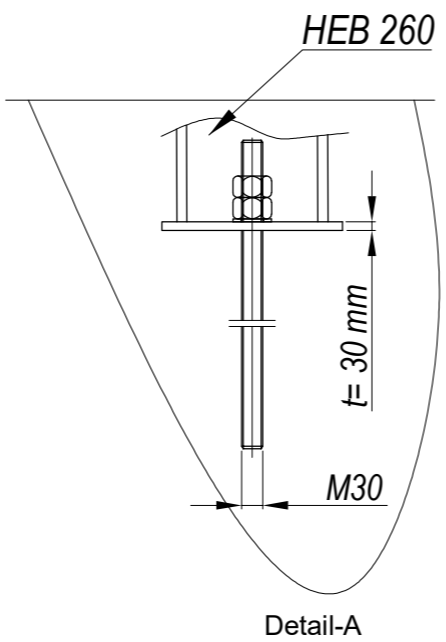


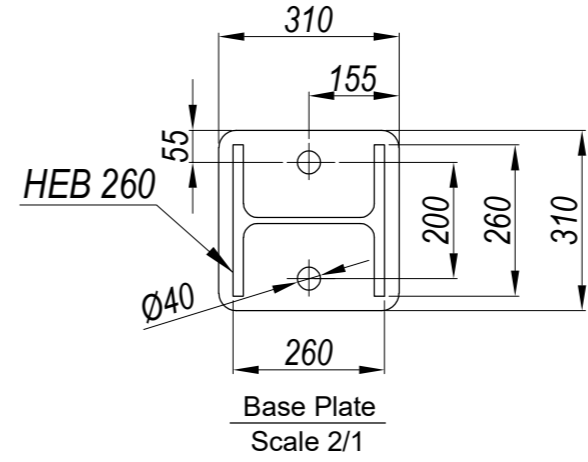
Scale 1:50



BOTTOM VIEW



Detail-A



Base Plate
Scale 2/1

GENERAL DATA		
Design regulations	2014/68/EU	
Design code	EN 13458-2 ANNEX C	
Inspection	TBD	
Equipment No / Name	TBD	
Client Project	TBD	
Project No	TBD	
Order No	DOC000XXXXXX	
DESIGN DATA		
	INNER VESSEL	OUTER VESSEL
Medium	LIN-LOX-LAR	Perlite&Vacuum Insulation
Design pressure	18 barg	1 barg
Operating pressure	to 17 barg	-
MAWP	17 barg	1 barg
Design temperature min./max.	-196 / +37 °C	-20 / +50 °C
Operating temperature	-196 °C	-
Test Type	27 barg	-
Water(GROSS) capacity	10 000 liters	17 500 liters
Net(%95) capacity	9 500 liters	-
Capacity vacuum space	-	7 500 liters
Joint efficiency	1	-
NDE Requirement	LW:%100 , T-JOINT:%100 , CW:%25	-
Impact Test	N/A	-
Lethal Substances	NO	-
Corrosion allowance	0,0 mm	0,0 mm
PWHT	None, not required no per code.	None, not required no per code.

KARBONSAN
BASINÇLI KAPLAR
SAN VE TİC. A.Ş.

TOPSELVİ MAH. GÖL YOLU CAD.
NO:38/1 E BLOK 16800
ORHANGAZI / BURSA - TÜRKİYE
TEL : +90 224 573 16 35
FAX : +90 224 573 16 40
WEB : www.karbonsan.com.tr

EKİPMAN TÜRÜ (Type of Equipment)		VERTICAL STORAGE VESSEL	
DİZAYN KODU (Design Code)		EN13458-2 ANNEX C	
İMALAT SERİ NO (Manufacturer's Serial No)		K2021/006-007	
İMALAT YILI (Year of Manufacture)		2021	
MAX. ÇALIŞMA BASINCI (MAWP) (PS)		17 Bar	-1 Bar
DİZAYN BASINCI (Design Pressure)		18 Bar	Bar
TEST BASINCI (Test Pressure)		27 (Pressure Strengthened) Bar	2 Bar
DİZAYN SICAKLIĞI (Design Temperature)		-196 / +37 °C	-20 / +50 °C
BRÜT HACİM (Gross Volume)		10 000 Lt	17 500 Lt
MALZEME (Material)		1.4301&1.4307 (304&304L)	1.0038 (S235 JR)
MALZEME STANDARTI (Material Standard)		EN10028-7	EN10025-2
EMNİYET BASINCI (Safety Set Pressure)		K200843	17 Bar
HİD. TEST TARİHİ (Hydrostatic Test Date)		KONTROL (Inspected By)	TUV AUSTRIA
SIZDIRMAZLIK TESTİ (Final Leak Test Date)			
LİKİD ADI (Liquid Name)		LIN-LOX-LAR	AKIŞKAN GRUBU (Fluid Group) Fluid Group 1
BOŞ AĞIRLIK (Empty Weight)		5 500 kg	MADE IN TURKEY

İsim Etiketi-1 Rev1 - 12.01.2018

NAME PLATE

Rev.	Description	Date	Design	Control	Approv

Pos	NR OF	Name	Drawing No	Material	Comment	Weight
		 KARBONSAN İLİPİNAR MEVKİİ NO:34 16800 ORHANGAZI/BURSA - TÜRKİYE TEL : +90 224 573 16 35 FAX : +90 224 573 16 40 WEB : www.karbonsan.com.tr e-mail : info@karbonsan.com.tr	Name Sign. Date Design N.Tuğçe CEVİZ Control Nida TÜRKÖĞLU Approv. Nida TÜRKÖĞLU		 Drawing No K200347 Date 16.04.2020 Revision 0	Paper A3
			Subject: 10 m3 LIN-LOX-LAR STORAGE VESSEL GENERAL ARRENGEMENT			