

Latina II Oval Range

Bulkheads



Data Sheet

Product Information

The Latina II Oval range of LED bulkheads are available in two versions - Plain or eyelid. Both options are available in either Black or White. Integral driver and with 12W 4000K LED.

Complete with a 2 year warranty.

Product Features

- 2 year warranty
- Class II
- IP66
- IK08
- 12W 4000K LED
- CRI: Ra84
- Suitable for High Saline areas
- L70 – 30,000hrs

Product Specification

Product Code	Product Description	Wattage (W)	Lumens (lm)	CRI (Ra)	CCT (K)	Protection Class
KSR1176BLK	Latina II 12W LED Oval Plain Bulkhead	12	880	84	4000K	II
KSR1176WH	Latina II 12W LED Oval Plain Bulkhead	12	880	84	4000K	II
KSR1177BLK	Latina II 12W LED Oval Eyelid Bulkhead	12	695	84	4000K	II
KSR1177WH	Latina II 12W LED Oval Eyelid Bulkhead	12	695	84	4000K	II

Nominal voltage	240V
Operating frequency	50Hz
IP rating	66
Start time	<0.5 sec

Construction

Body: ABS (Acrylonitrile Butadiene Styrene)
Diffuser: PC (Polycarbonate) Opal

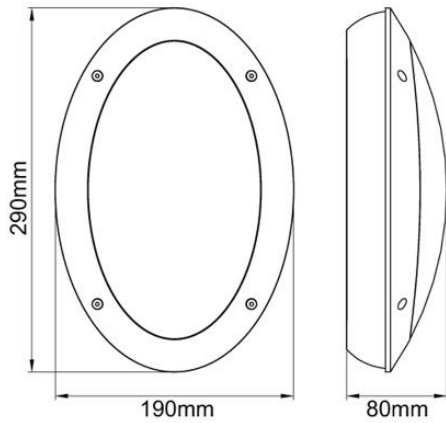
Standards

BSEN60598-1:2021 Luminaires – Part 1: General requirements and tests

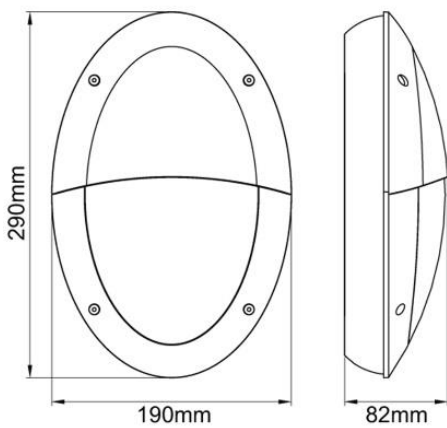
In Conformity with

LVD Low voltage directive 2014/35/EU
EMC Electromagnetic compatibility directive 2014/30/EU
ERP Energy related products directive 2019/2020/EU
RoHS Restriction of hazardous substances 2015/863/EU

Product Dimensions



KSR1176



KSR1177

KSR Lighting is constantly developing and improving its products. For this reason, all product descriptions in this data sheet are intended as a general guide, and KSR may change specifications from time to time in the interest of product development, without prior notification or public announcement. All descriptions in this data sheet present only general particulars of the goods to which they refer and shall not form part of any contract. Data in this guide has been obtained in controlled experimental conditions. However, KSR Lighting cannot accept any liability arising from the reliance on such data to the extent permitted.