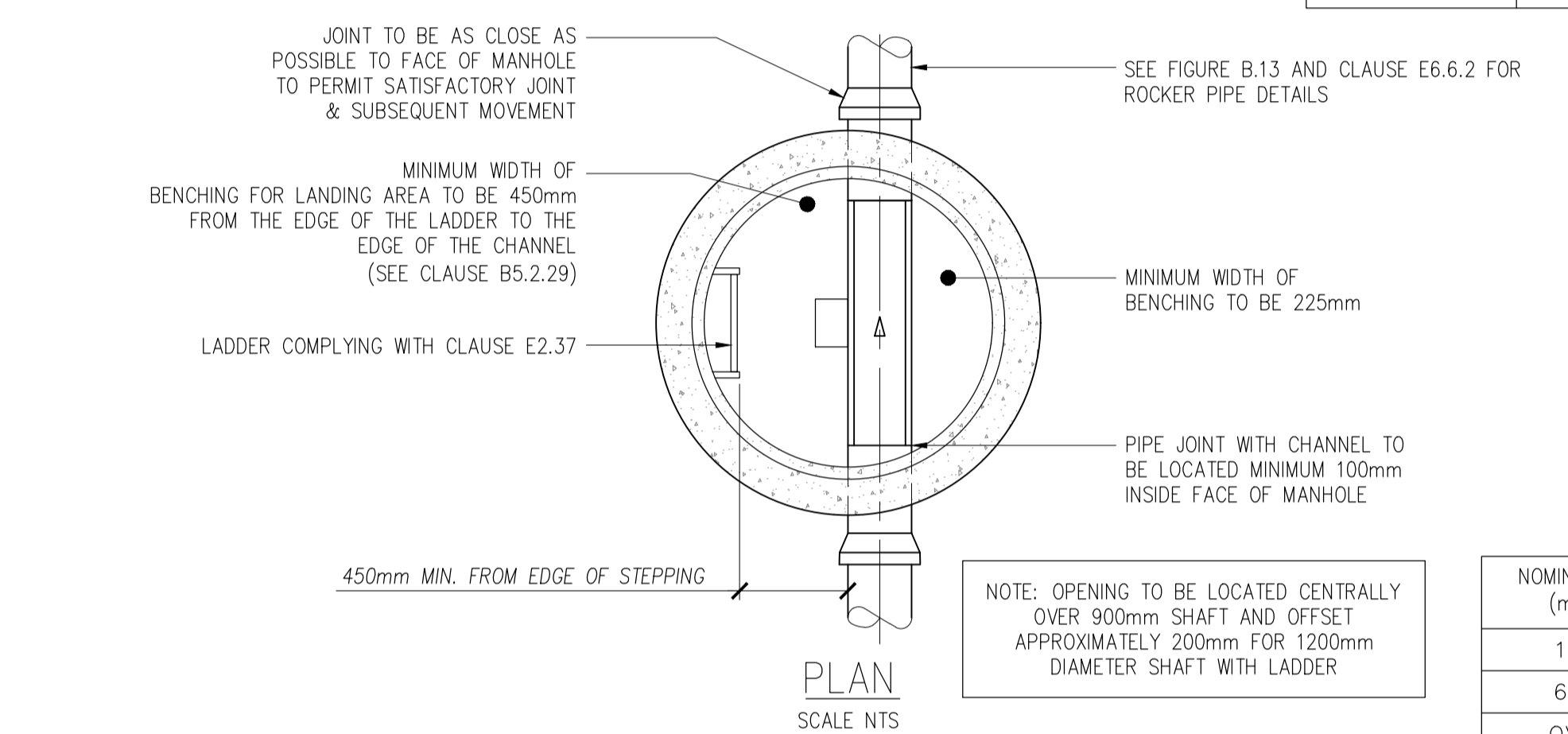


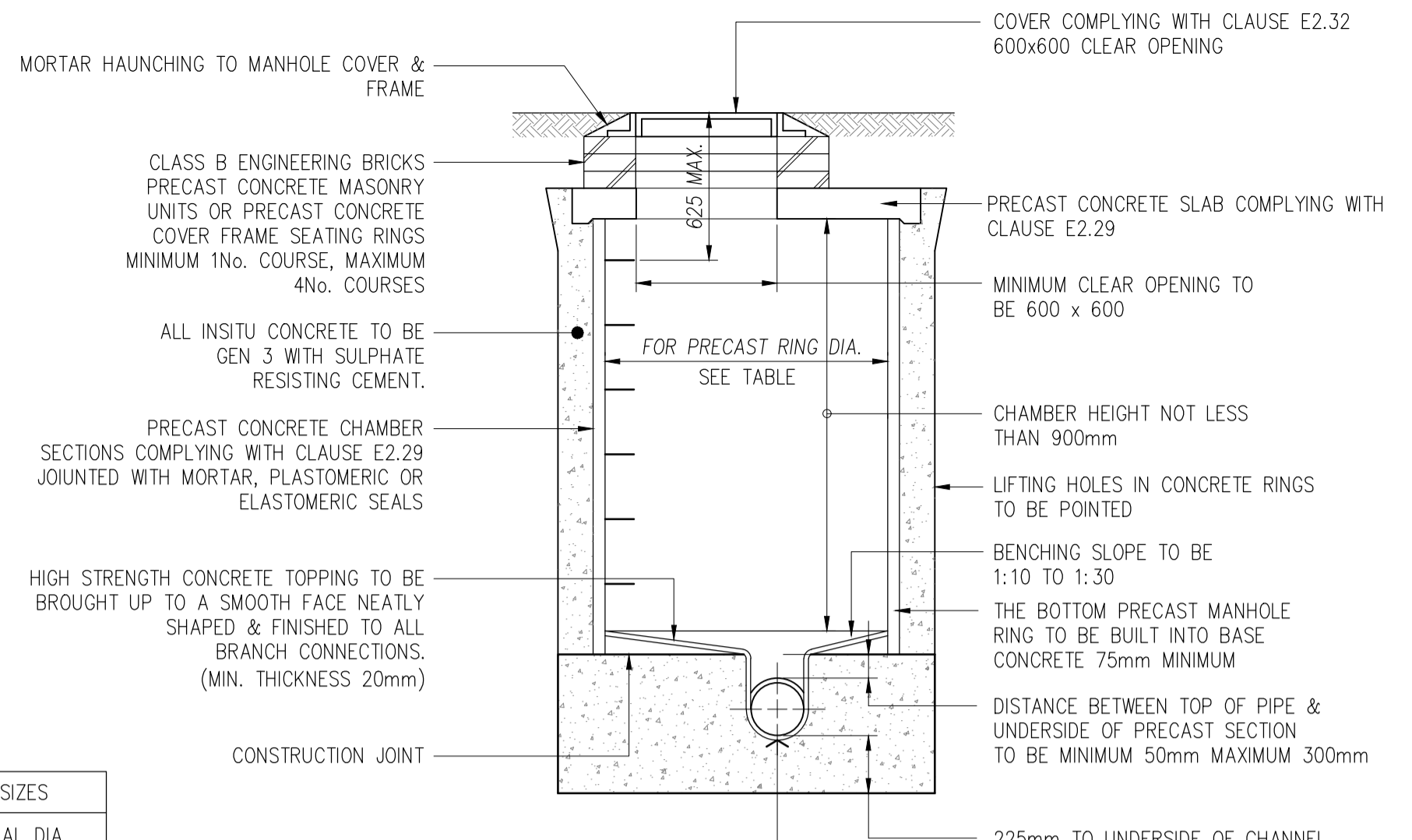
ELEVATION
SCALE NTS

CHAMBER TYPE A & B RING SIZES	
DIA. OF LARGEST PIPE IN MANHOLE	INTERNAL DIA. OF MANHOLE
LESS THAN 375mm	1200 (1050 WHERE DEPTH TO SOFFIT IS 1350-1500mm)
375-450mm	1350mm
500-700mm	1500mm
750-900mm	1800mm

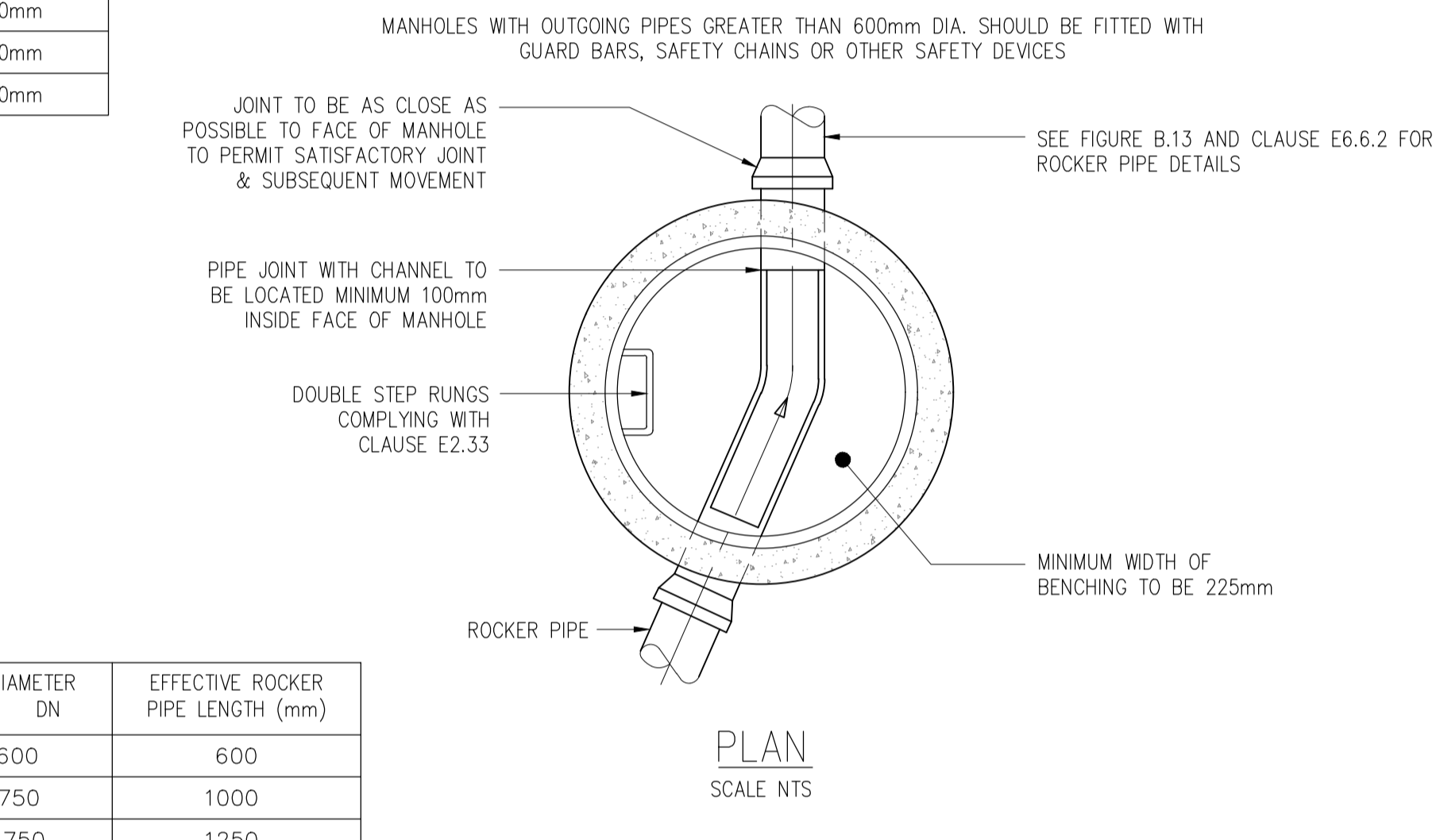


PLAN
SCALE NTS

TYPICAL MANHOLE DETAIL - TYPE A
DEPTH FROM COVER LEVEL TO SOFFIT OF PIPE 3.0m TO 6.0m WITH LADDER
SCALE 1:25



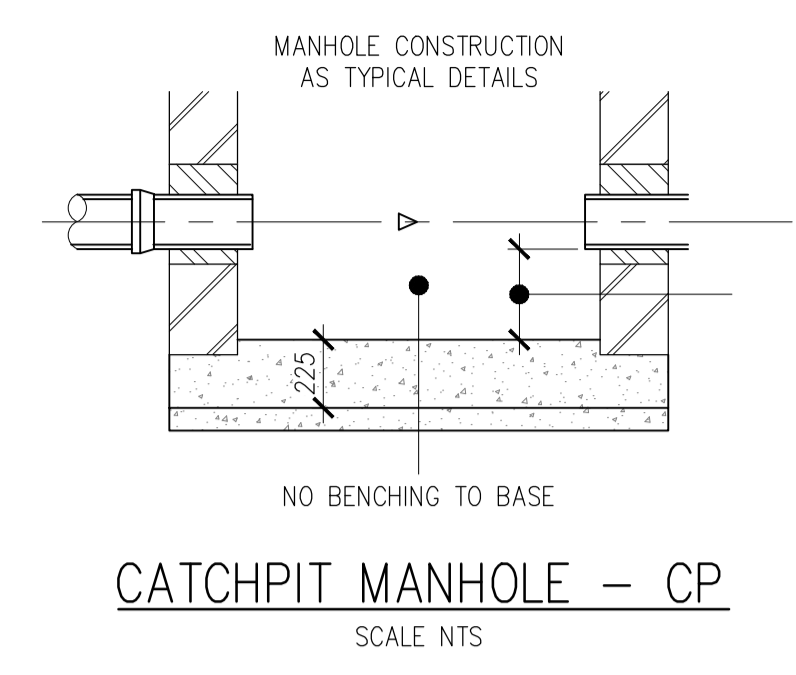
ELEVATION
SCALE NTS



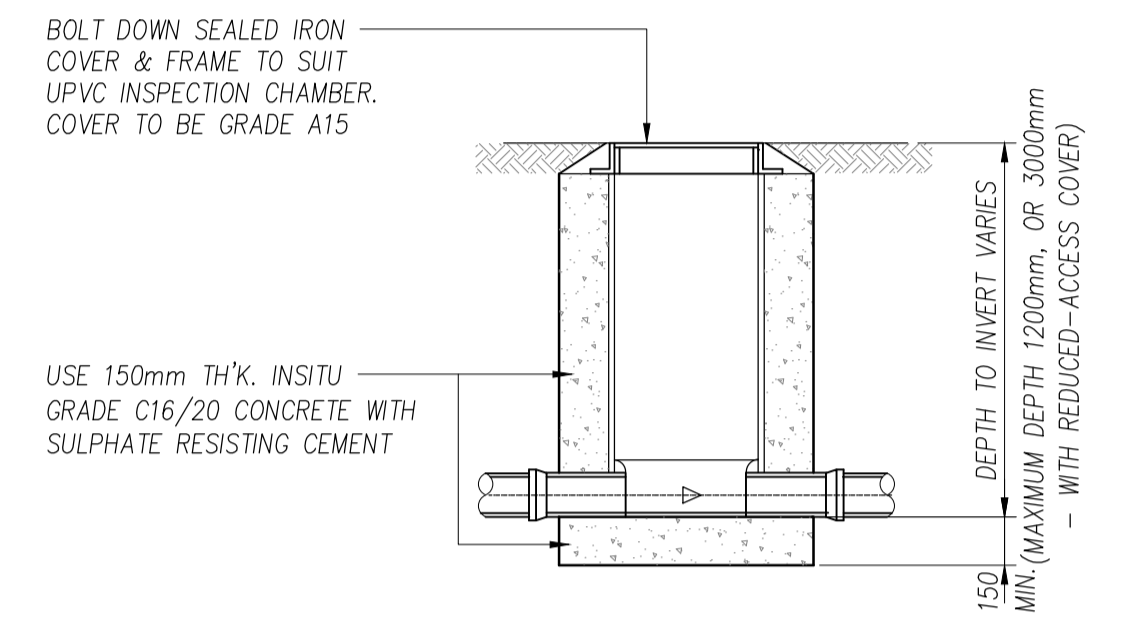
PLAN
SCALE NTS

TYPICAL MANHOLE DETAIL - TYPE B
DEPTH FROM COVER LEVEL TO SOFFIT OF PIPE 1.5m TO 3.0m
SCALE 1:25

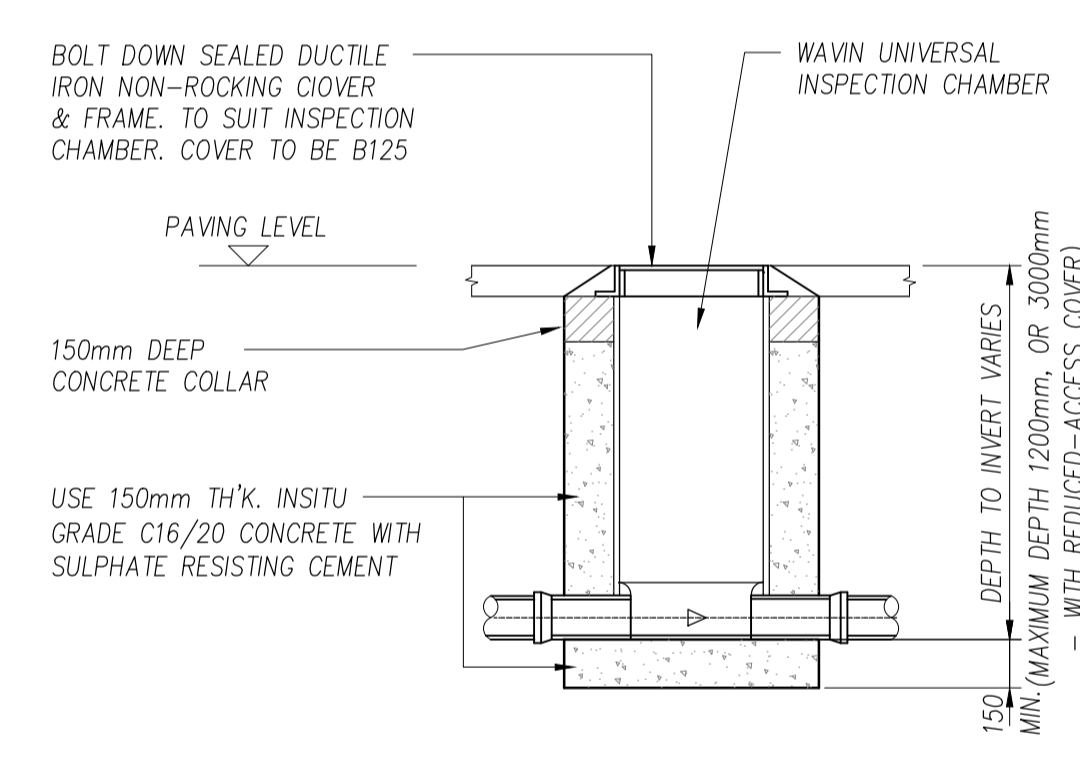
NOMINAL DIAMETER (mm) DN	EFFECTIVE ROCKER PIPE LENGTH (mm)
150-600	600
675-750	1000
OVER 750	1250



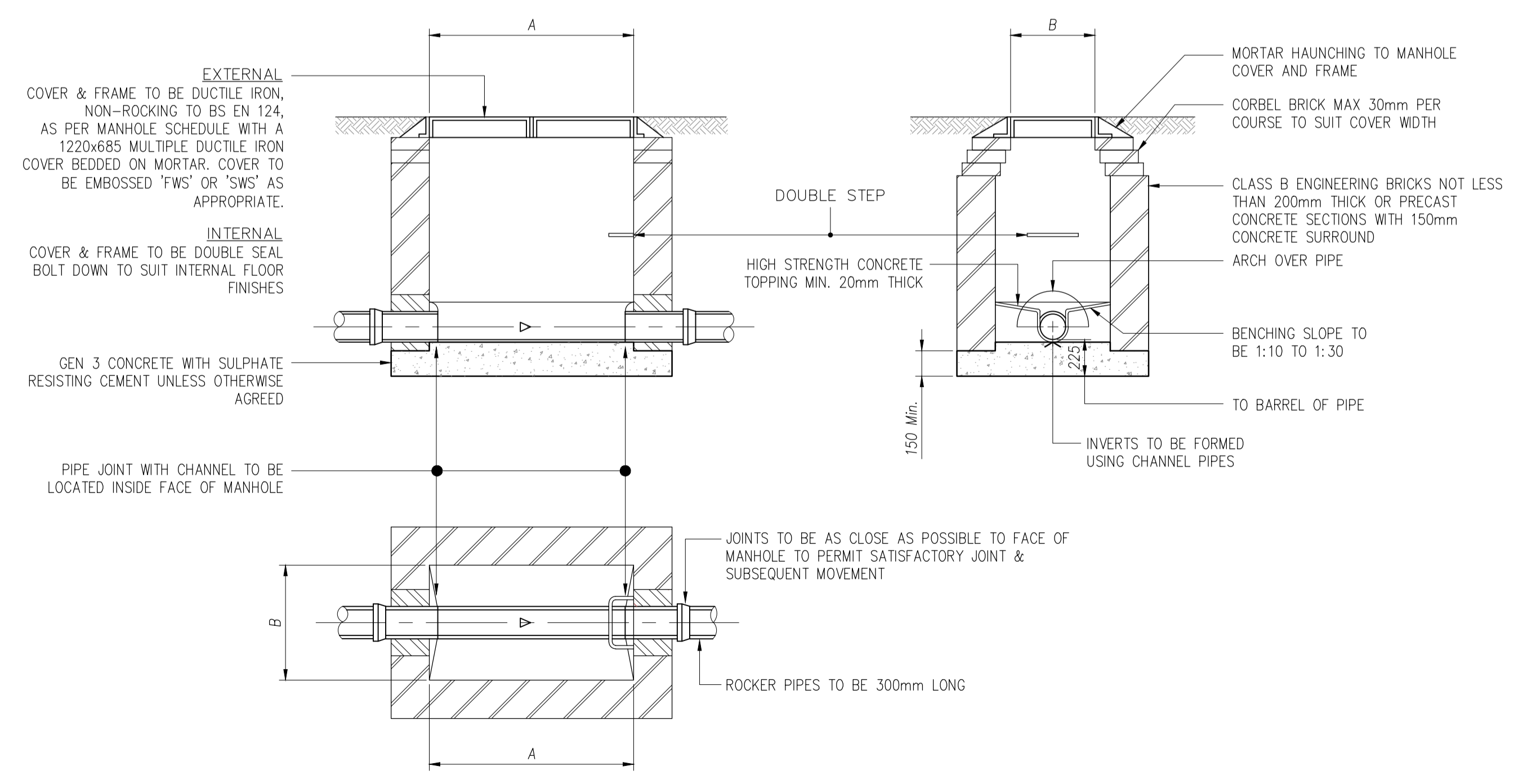
CATCHPIT MANHOLE - CP
SCALE NTS



TYPICAL MANHOLE DETAIL - TYPE D
SECTION THROUGH UPVC INSPECTION CHAMBER WITHIN SOFT LANDSCAPING
SCALE 1:25

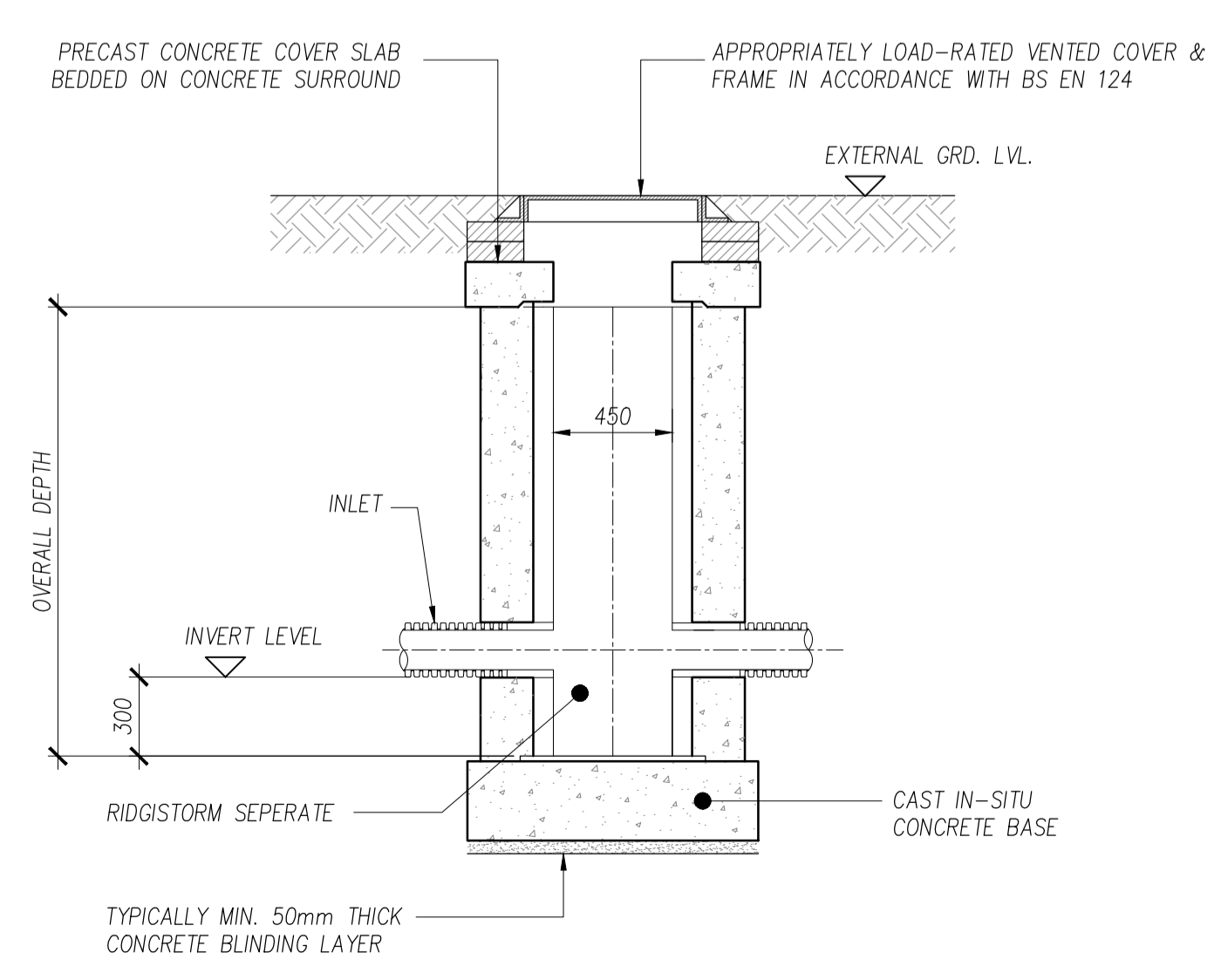


TYPICAL MANHOLE DETAIL - TYPE E
SECTION THROUGH UPVC INSPECTION CHAMBER WITHIN PAVING
SCALE 1:25



TYPICAL MANHOLE DETAIL - TYPE C

DEPTH TO SOFFIT < 1.5 A=1200 B=900 FOR PIPES UPTO 375MM DIA, OR PIPE DIA + 450MM FOR PIPES<375MM DIA
SCALE 1:25



TYPICAL MANHOLE DETAIL - TYPE F
SECTION THROUGH CATCHPIT INSEPCION CHAMBER
SCALE 1:25

NOTES

- THIS DRAWING IS TO BE READ IN CONJUNCTION WITH ALL RELEVANT DRAWINGS AND SPECIFICATIONS
- DO NOT SCALE THIS DRAWING
- FOR GENERAL NOTES REFER TO DRG. No. DR-S-0011 AND DR-S-1001
- SETTING OUT BASED ON ARCHITECTS DRAWNGS
- ALL PENETRATIONS THROUGH WALLS AND SLAB TO HAVE PUDDLE FLANGE USING HYDROPHILIC STRIPS
- INSPECTION CHAMBERS TO BE OSMA UNIVERSAL INSPECTION CHAMBERS WITH DUCTILE IRON COVER AND FRAME 40974 BS EN 124-AS SCHEDULE OR SIMILAR. COVER AND FRAME TO BE INSTALLED ON 150mm CONCRETE COLLAR IN PAVED AREAS.
- DRAINAGE CHANNEL TO BE ACO BRICKSLOT OR SIMILAR INSTALLED IN ACCORDANCE WITH MANUFACTURERS RECOMMENDATIONS. CHANNEL TO HAVE SLOPING INVERT TO CENTRALLY LOCATED OUTLET. FINAL LOCATION OF OUTLET TO BE DETERMINED ON SITE AFTER LOCATION OF EXISTING DRAINAGE RUN IS KNOWN.
- CONCRETE TO BE A MINIMUM GRADE C16/20.
- FLEXIBLE JOINTS AND ROCKER PIPES TO BE PROVIDED AT ALL CONSTRUCTION JOINTS, TRANSITIONS THROUGH/UNDER FOUNDATIONS, AT MANHOLES/INSPECTION CHAMBERS AND ANY LOCATION WHERE THERE MAY BE DIFFERENTIAL SETTLEMENT.
- ALL PIPEWORK TO BE TESTED BEFORE PLACEMENT OF BACKFILL OR CONCRETING IN. ALL TESTING TO BE TO BS EN 752.
- THE BELOW GROUND DRAINAGE SYSTEM IS TO BE FULLY VENTED BY THE PROVISION OF AIR ADMITTANCE VALVES/VENT PIPES AT THE HEAD OF DRAIN LOCATIONS.

C02	ISSUED FOR CONSTRUCTION. PUMP STATION REMOVED MANHOLES REVISED	SEH	WTF	12.02.2024
C01	ISSUED FOR CONSTRUCTION	SEH	WTF	19.07.2023
P01	ISSUED FOR APPROVAL	ADP	WTF	21.03.2022
Rev.	Description	By	Chkd.	Date

CONSTRUCTION

G.D.C. Partnership Consulting Engineers

THIRD FLOOR
29 LONDON ROAD
BROMLEY
KENT, BR1 1DG (UK)
Tel: +44(0)20 8460 2160
Fax: +44(0)20 8313 3122
www.gdcpartnership.co.uk

Client
ENTERPRISE RESIDENTIAL DEVELOPMENT LTD

Project
HOME FARM DANE END, WARE

Title
TYPICAL DRAINAGE DETAILS SHEET 1

Drawn	ADP	Chkd.	WTF	Appd.	DSM
Scale	1:25 @A1	Drng.	No.		Rev.
Project No.	8744	GDC-00-XX-DR-S-1002	C02		