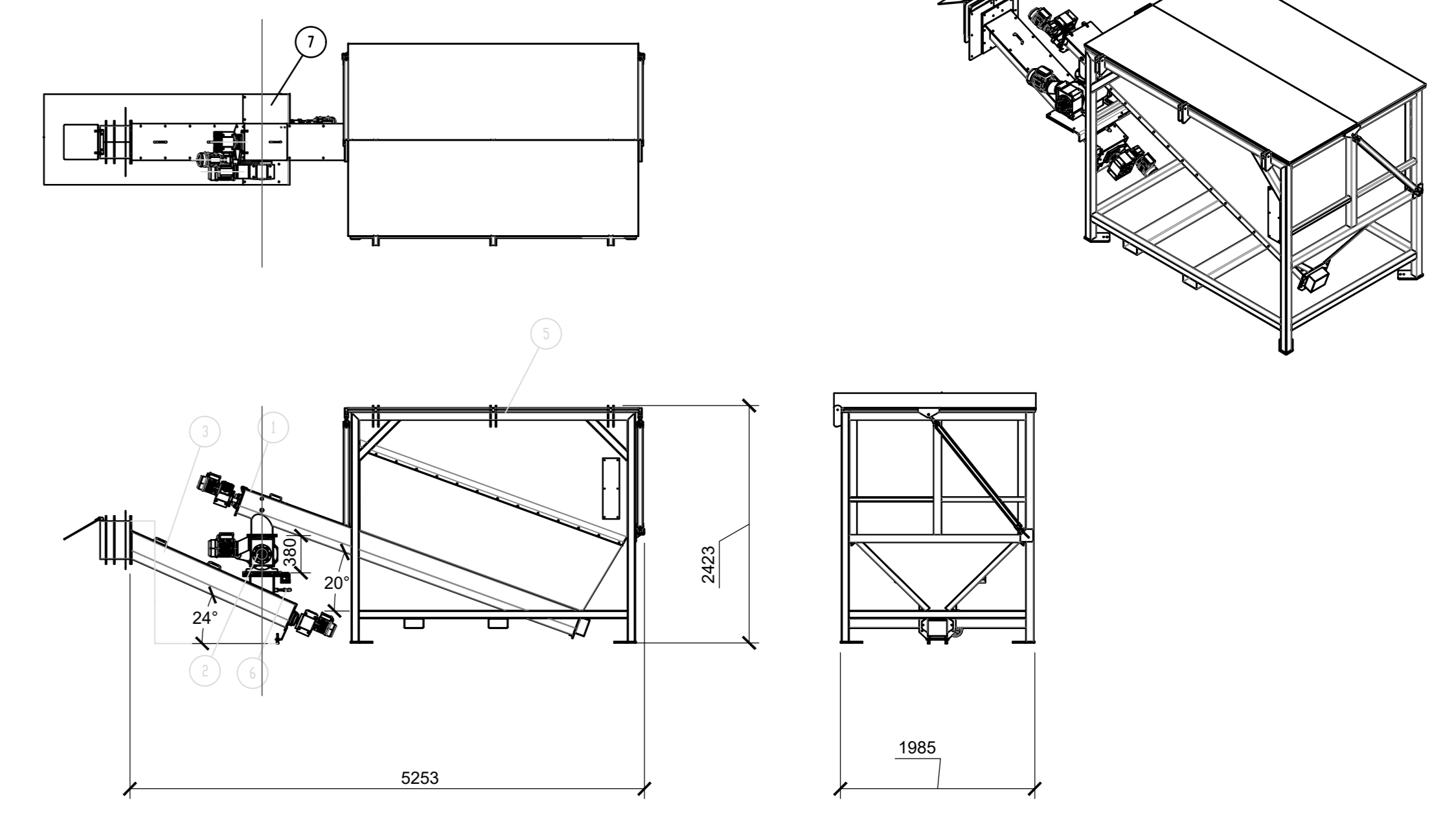
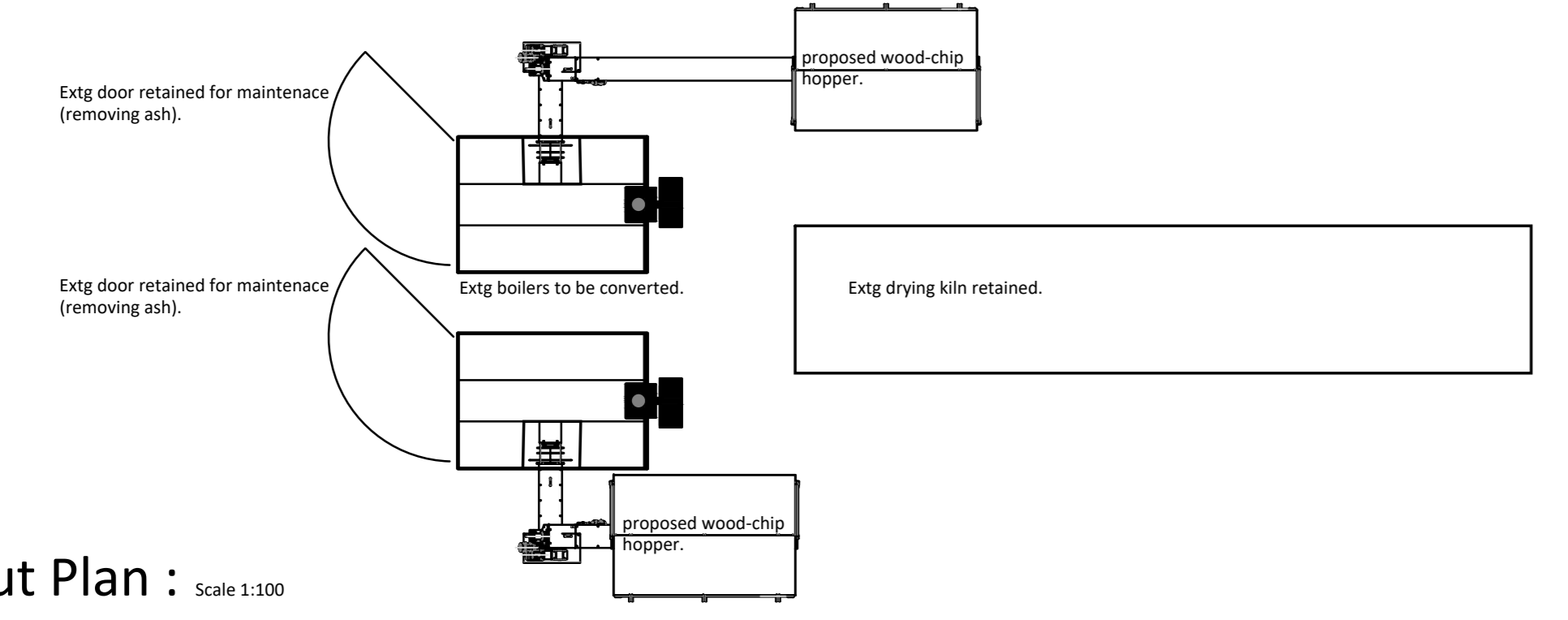


| ITEM NO. | PART NUMBER | DESCRIPTION            | QTY. |
|----------|-------------|------------------------|------|
| 1        | WJW-100-000 | Hopper Auger Assembly  | 1    |
| 2        | WJW-100-000 | Rotary Valve Assembly  | 1    |
| 3        | WJW-100-000 | Stoker Auger Assembly  | 1    |
| 4        | WJW-100-000 | Stoker Auger Tie Piece | 2    |
| 5        | WJW-100-000 | Hopper Assembly        | 1    |
| 6        | WJW-100-000 | Sensor Probe           | 1    |
| 7        | WJW-100-000 | Rotary Valve Assembly  | 1    |

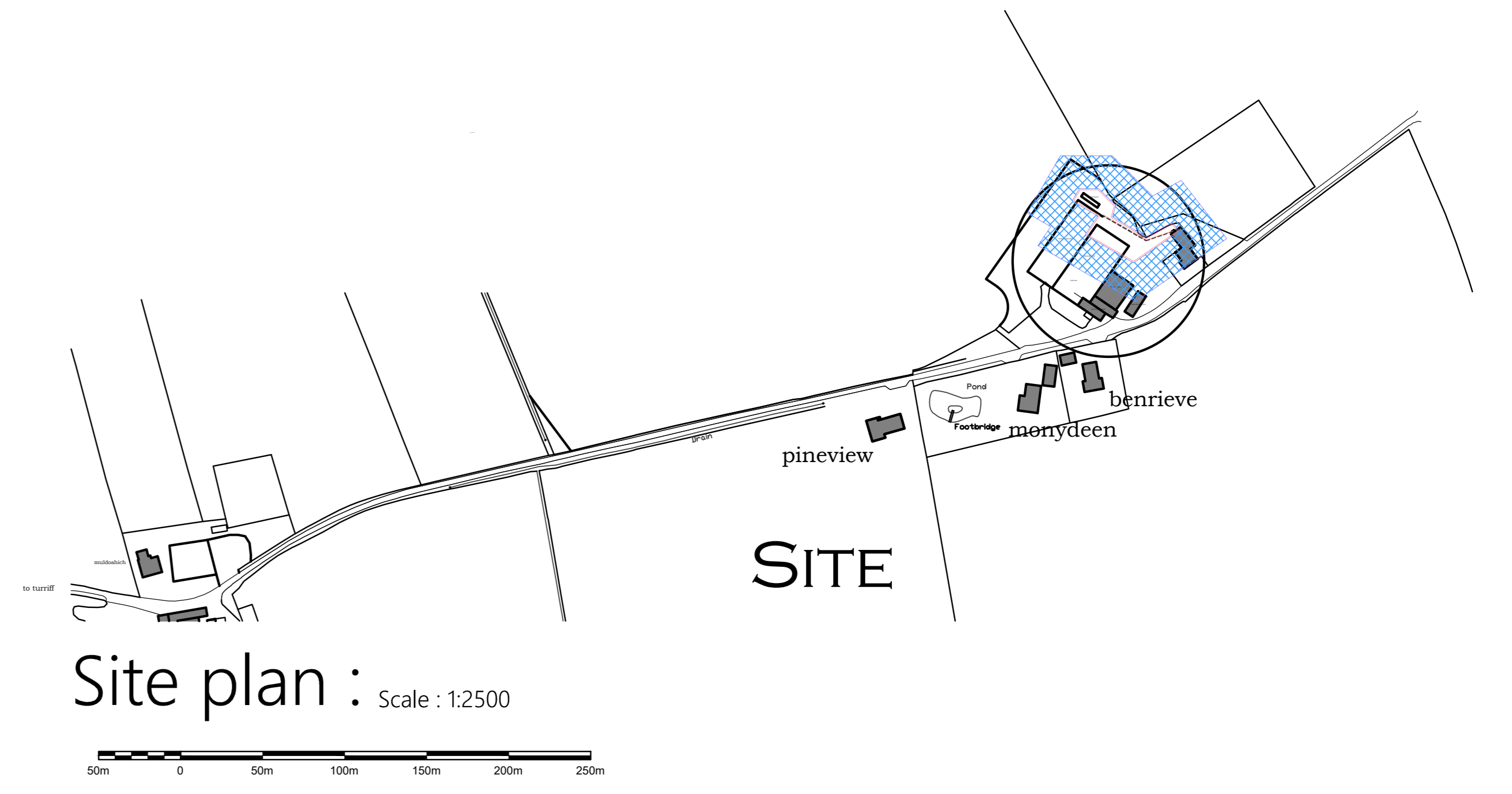


Woodchip hopper Plan : Scale 1:50

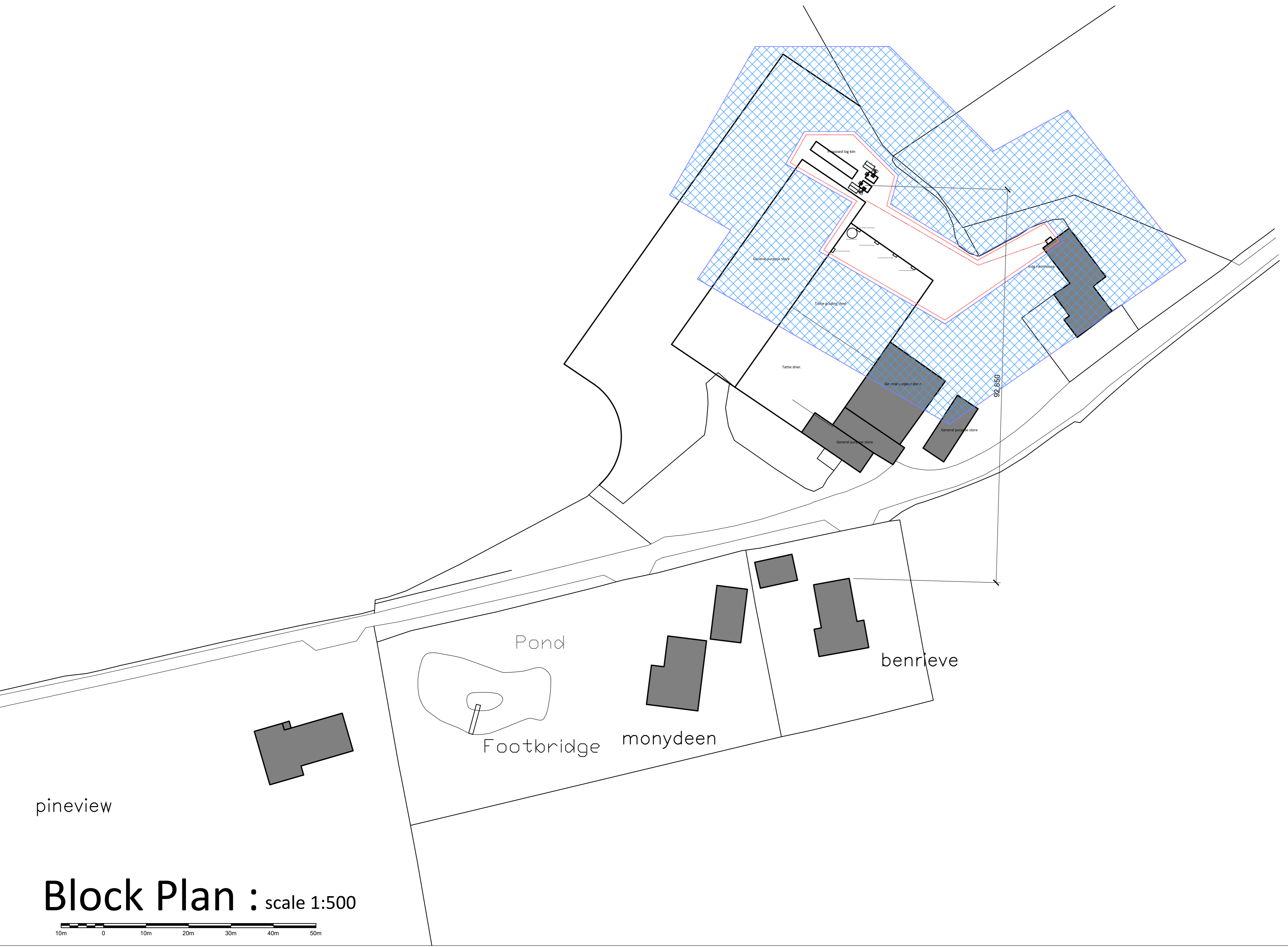
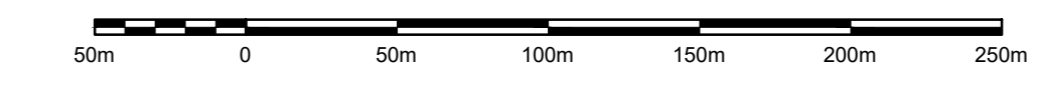


Boiler & Kiln Layout Plan : Scale 1:100

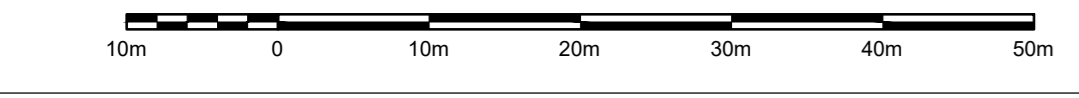
Note:  
 Dimensions given in millimeters.  
 Dimensions of the boilers and container might vary.



Site plan : Scale : 1:2500



Block Plan : scale 1:500



NORTH



**PROJECT**  
 Installation of 2 no. Woodchip biomass boiler's, external flue and associated equipment

**ADDRESS**  
 Meikle Whiterashes, Turriff, Aberdeenshire, AB53 5RA

**CLIENT**  
 AJ & AR Benzie

Hilton park, Hilton, Banff, AB45 3AP  
 Tel. 07715467299  
 E. douglas@sbdlimited.co.uk  
 W. www.sbdlimited.co.uk

| Drawing Title                 |                  |                  |                        |
|-------------------------------|------------------|------------------|------------------------|
| Block, Site & Location plan's |                  |                  |                        |
| Date.<br>4.4.24               | Scale<br>As plan | Drawn By.<br>DWS | Project Ref<br>2410-02 |